

# Bromley

Horizontal Metal Storage Shed Assembly Guide



## IMPORTANT: PLEASE REGISTER YOUR HEX LIVING PRODUCT BEFORE ASSEMBLY

Using the unique serial number, simply register your product at [www.hexliving.co.uk](http://www.hexliving.co.uk) to access and download the HEX Living lifetime warranty and video assembly instructions.

Affix Serial Number  
HERE



PLEASE READ THIS DOCUMENT FULLY PRIOR TO STARTING ASSEMBLY PROCEDURE

The objective of this instruction is to illustrate the recommended assembly sequence for this product, any deviation from this will be the sole responsibility of whoever carries out the assembly.

**IMPORTANT: IT IS ADVISABLE THAT THE PRODUCT IS ASSEMBLED AT, OR AS CLOSE AS POSSIBLE TO WHERE IT WILL BE FINALLY LOCATED**

Ensure there is adequate clearance where the product is to be located:

Exterior dimensions including overhang (W x D x H)	1950 x 900 x 1358mm
Footprint dimensions (W x D)	1900 x 900mm
Clearance required for door to open (W x H)	Doors open outwards 1655 x 1254mm
Clearance required for lid to open (W x H)	Lid opens 1950 x 2165mm

## TWO PERSON ASSEMBLY

Most procedures will not require two people but it may be easier to have assistance.



## PERSONAL PROTECTION EQUIPMENT

We advise appropriate personal protective equipment is worn during assembly including eye protection and gloves.



## CARING FOR YOUR HEX LIVING PRODUCT

Your HEX Living product is designed to stand the test of time, which is why we're happy to offer a lifetime warranty on our products. With zero maintenance required, simply assemble your HEX Living product and enjoy putting it to great use in your garden.

Periodically, you might want to give your product a clean, these simple care tips are not essential to the performance of your product:

- Remove surface dirt with plain water using a jet wash or sponge, the coating on our products will ensure dirt or mud simply wipes away.
- Periodically clear the roof of fallen leaves.
- If your product has guttering, remove leaves and garden debris as you would on your home.

## PRODUCT REGISTRATION

**IMPORTANT:** Prior to assembly, please ensure you have registered your HEX Living product using the unique serial number found on the cover of this document, please visit [www.hexliving.co.uk](http://www.hexliving.co.uk) to register your product and access the HEX Living lifetime warranty and video instructions.

## GROUND ANCHOR KIT

A Ground Anchor Kit is supplied, this is to secure the product to a solid concrete base, the shed has x4 clamp plates in each corner.

**WE STRONGLY ADVISE THAT THE SHED IS ANCHORED USING THIS KIT**

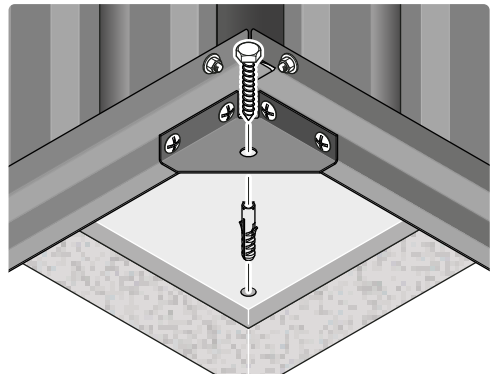
The diagram illustrates the typical fixing method, once the shed is assembled, access the clamp brackets by removing the appropriate floor panel and secure as required.

## GROUND ANCHOR KIT

**Part Ref: FK8**  
M8 x 50mm Coach Screw  
Qty: x4

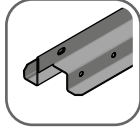
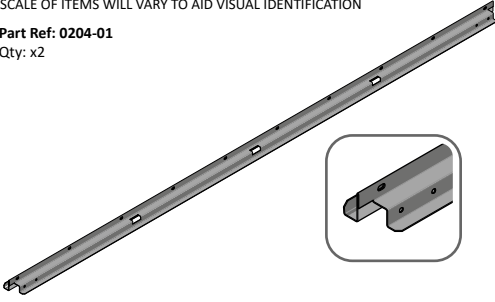


**Part Ref: FK7**  
Expansion Plug  
Qty: x4

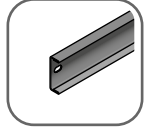
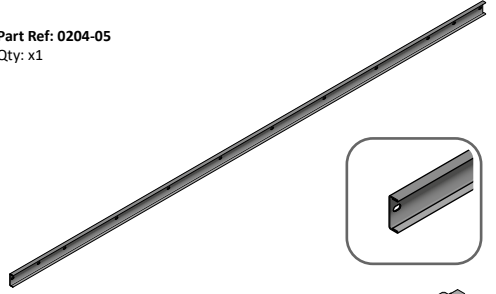


ENSURE ALL ITEMS LISTED ARE PRESENT PRIOR TO STARTING ASSEMBLY PROCEDURE  
SCALE OF ITEMS WILL VARY TO AID VISUAL IDENTIFICATION

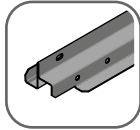
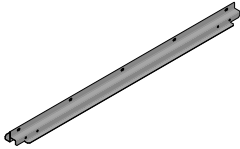
**Part Ref: 0204-01**  
Qty: x2



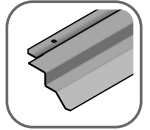
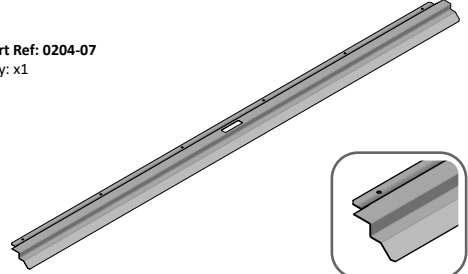
**Part Ref: 0204-05**  
Qty: x1



**Part Ref: 0204-02**  
Qty: x2



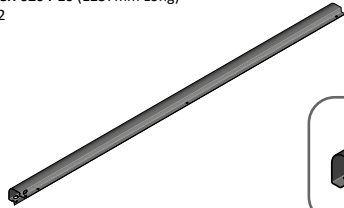
**Part Ref: 0204-07**  
Qty: x1



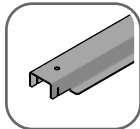
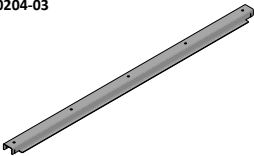
**Part Ref: 0203-03**  
Qty: x4



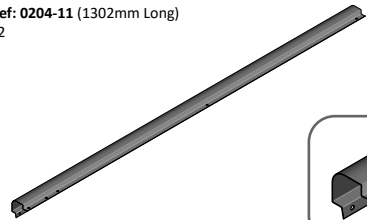
**Part Ref: 0204-10 (1237mm Long)**  
Qty: x2



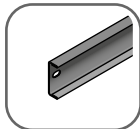
**Part Ref: 0204-03**  
Qty: x3



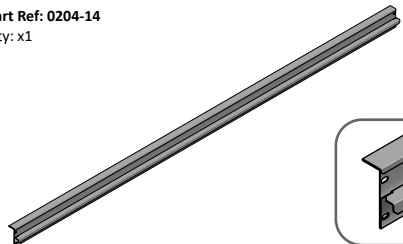
**Part Ref: 0204-11 (1302mm Long)**  
Qty: x2



**Part Ref: 0204-06**  
Qty: x2

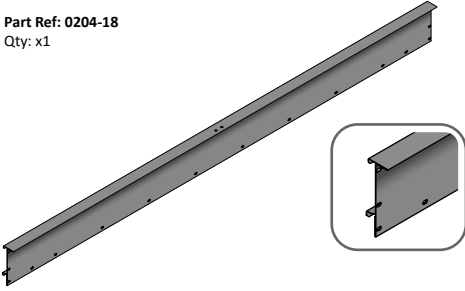


**Part Ref: 0204-14**  
Qty: x1

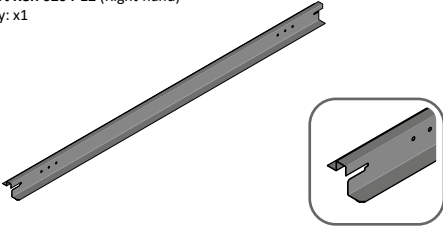


ENSURE ALL ITEMS LISTED ARE PRESENT PRIOR TO STARTING ASSEMBLY PROCEDURE  
SCALE OF ITEMS WILL VARY TO AID VISUAL IDENTIFICATION

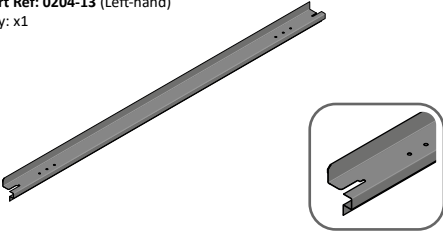
**Part Ref: 0204-18**  
Qty: x1



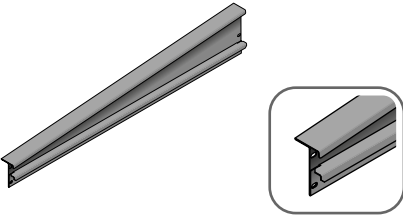
**Part Ref: 0204-12 (Right-hand)**  
Qty: x1



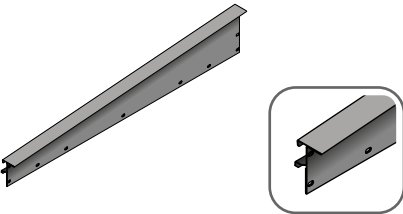
**Part Ref: 0204-13 (Left-hand)**  
Qty: x1



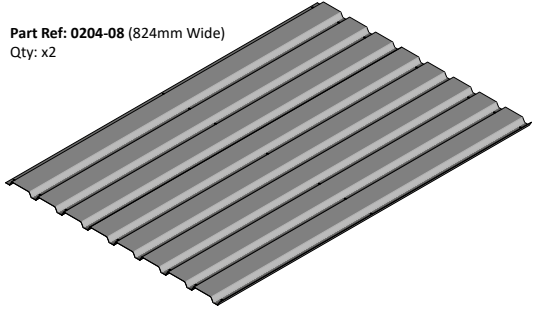
**Part Ref: 0204-15 (Right-hand)**  
Qty: x1



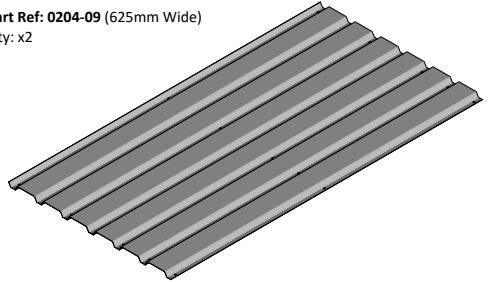
**Part Ref: 0204-19 (Left-hand)**  
Qty: x1



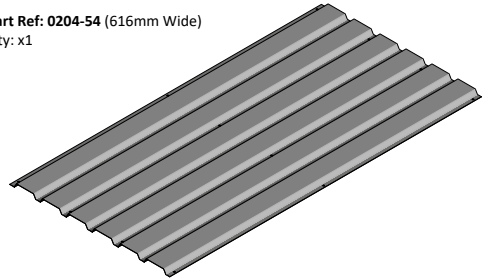
**Part Ref: 0204-08 (824mm Wide)**  
Qty: x2



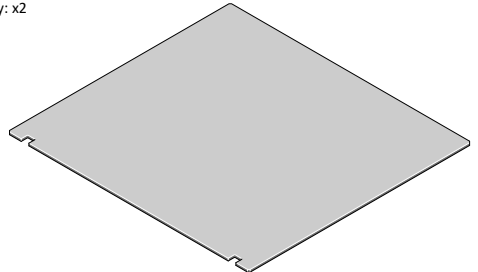
**Part Ref: 0204-09 (625mm Wide)**  
Qty: x2



**Part Ref: 0204-54 (616mm Wide)**  
Qty: x1

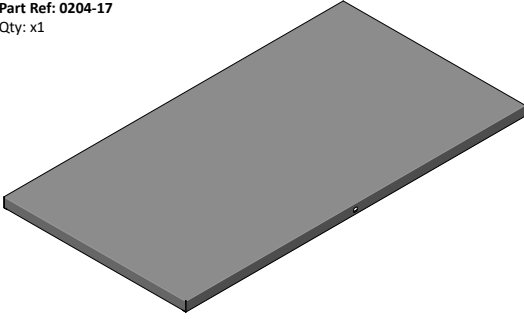


**Part Ref: 0204-32**  
Qty: x2

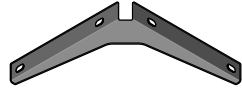


ENSURE ALL ITEMS LISTED ARE PRESENT PRIOR TO STARTING ASSEMBLY PROCEDURE  
SCALE OF ITEMS WILL VARY TO AID VISUAL IDENTIFICATION

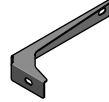
**Part Ref: 0204-17**  
Qty: x1



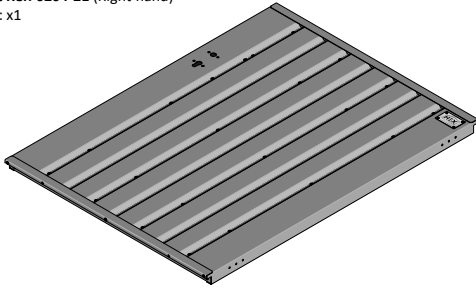
**Part Ref: 0204-33**  
Qty: x2



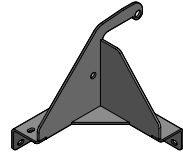
**Part Ref: 0204-34**  
Qty: x2



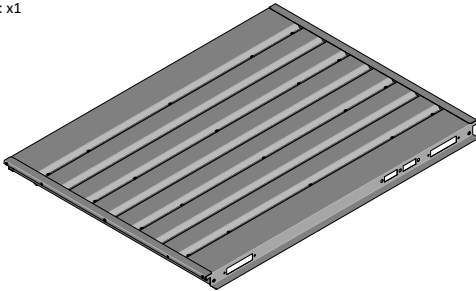
**Part Ref: 0204-21 (Right-hand)**  
Qty: x1



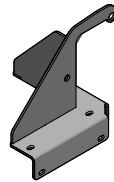
**Part Ref: 0204-23**  
Qty: x1



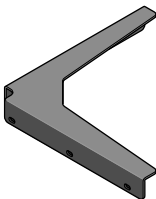
**Part Ref: 0204-22 (Left-hand)**  
Qty: x1



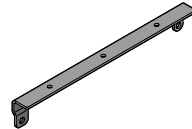
**Part Ref: 0204-24**  
Qty: x1



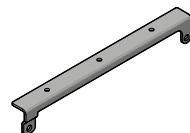
**Part Ref: 0204-59**  
Qty: x2



**Part Ref: 0204-47**  
Qty: x1



**Part Ref: 0204-50**  
Qty: x1



# Bromley: Assembly Guide

ENSURE ALL ITEMS LISTED ARE PRESENT PRIOR TO STARTING ASSEMBLY PROCEDURE  
SCALE OF ITEMS WILL VARY TO AID VISUAL IDENTIFICATION

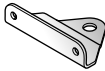
Part Ref: 0204-46  
Qty: x1



Part Ref: 0204-56  
Qty: x1



Part Ref: 0205-66  
Qty: x2



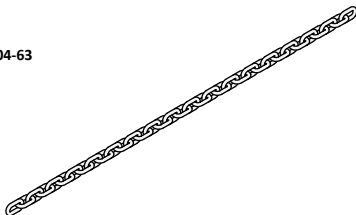
Part Ref: 0204-30  
Qty: x4



Part Ref: 0204-62  
Qty: x3



Part Ref: 0204-63  
Qty: x3



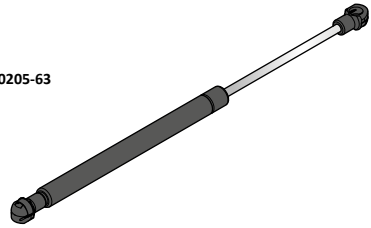
Part Ref: 0204-65  
Qty: x6



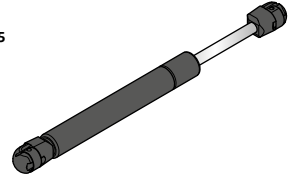
Part Ref: 0205-68  
Qty: x8



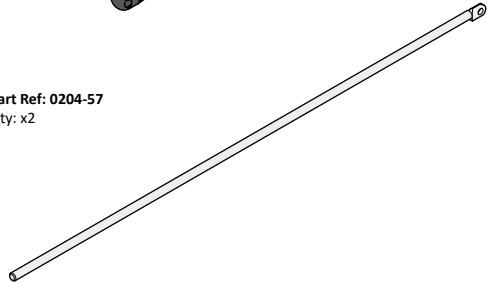
Part Ref: 0205-63  
Qty: x2



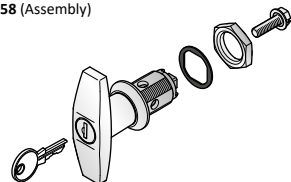
Part Ref: 0204-25  
Qty: x2



Part Ref: 0204-57  
Qty: x2



Part Ref: 0204-58 (Assembly)  
Qty: x1

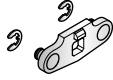


# Bromley: Assembly Guide

ENSURE ALL ITEMS LISTED ARE PRESENT PRIOR TO STARTING ASSEMBLY PROCEDURE

SCALE OF ITEMS WILL VARY TO AID VISUAL IDENTIFICATION

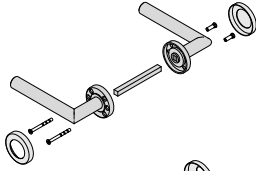
**Part Ref: 0206-28 (Assembly)**  
Qty: x1



**Part Ref: 0203-40**  
Qty: x4



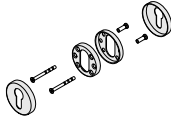
**Part Ref: 0203-33 (Assembly)**  
Qty: x1



**Part Ref: 511-0023**  
Qty: x4



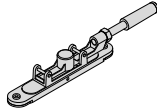
**Part Ref: 0203-34 (Assembly)**  
Qty: x1



**Part Ref: 0204-51**  
Qty: x2



**Part Ref: 0203-35**  
Qty: x2



**Part Ref: 0204-61**  
Qty: x2



**Part Ref: 0203-36**  
Qty: x1



**FIXING KIT: 0204-64**

**Part Ref: FK1**  
M4 x 10mm Roofing Bolt  
Qty: x107



**Part Ref: FK2**  
M4 x 12mm Roofing Bolt  
Qty: x22



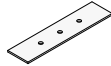
**Part Ref: FK3**  
No.8 x 13mm Eco Fix  
Qty: x7



**Part Ref: FK4**  
M4 x 12mm C'Sunk Pozi Pan  
Qty: x30



**Part Ref: 0203-37**  
Qty: x8



**Part Ref: FK5**  
M5 x 16mm Button Head Socket  
Qty: x11



**Part Ref: 0203-27 (Left-hand Assembly)**  
Qty: x2



**Part Ref: FK6**  
M8 x 20mm Button Head Socket  
Qty: x4



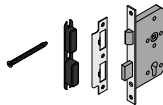
**Part Ref: 0203-28 (Right-hand Assembly)**  
Qty: x2



**Part Ref: FK7**  
M4 Serrated Flange Nut  
Qty: x123



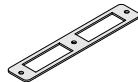
**Part Ref: 0203-32 (Assembly)**  
Qty: x1



**Part Ref: FK8**  
M8 Serrated Flange Nut  
Qty: x9



**Part Ref: 0203-41**  
Qty: x1



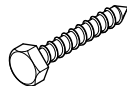
**Part Ref: FK9**  
M8 Nyloc Nut  
Qty: x4



**Part Ref: FK10**  
Expansion Plug  
Qty: x4

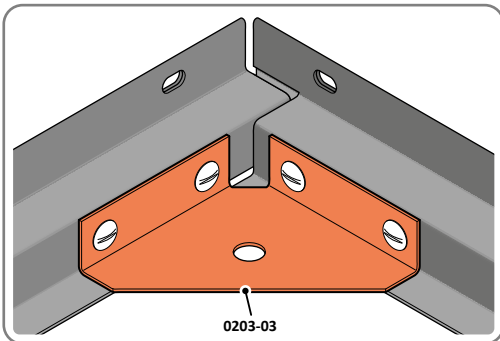
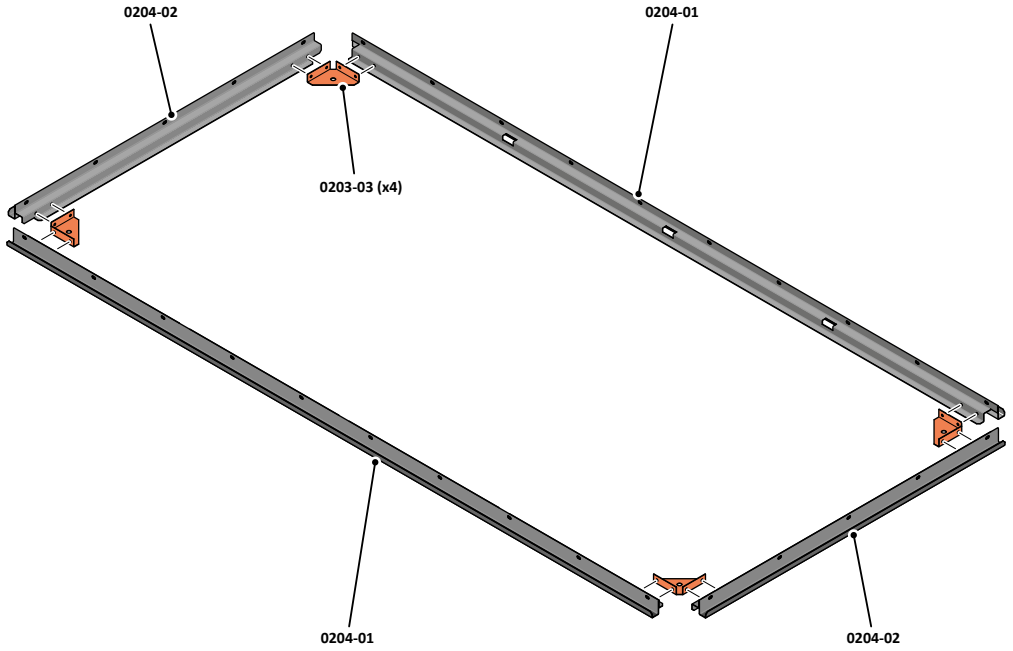


**Part Ref: FK11**  
M8 x 50mm Coach Screw  
Qty: x4

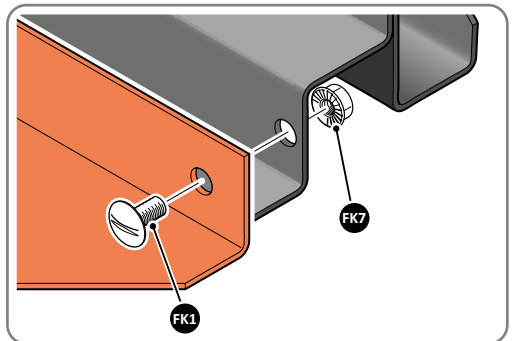


## ASSEMBLY STAGE 1

LOCATE AND SECURE A CORNER BRACE 0203-03 AT EACH LOCATION INDICATED.



SECURE EACH CORNER BRACE 0203-03 AS SHOWN ABOVE.

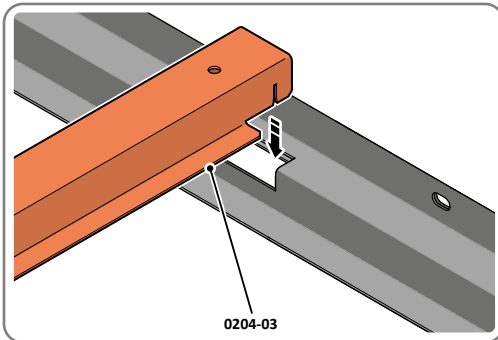
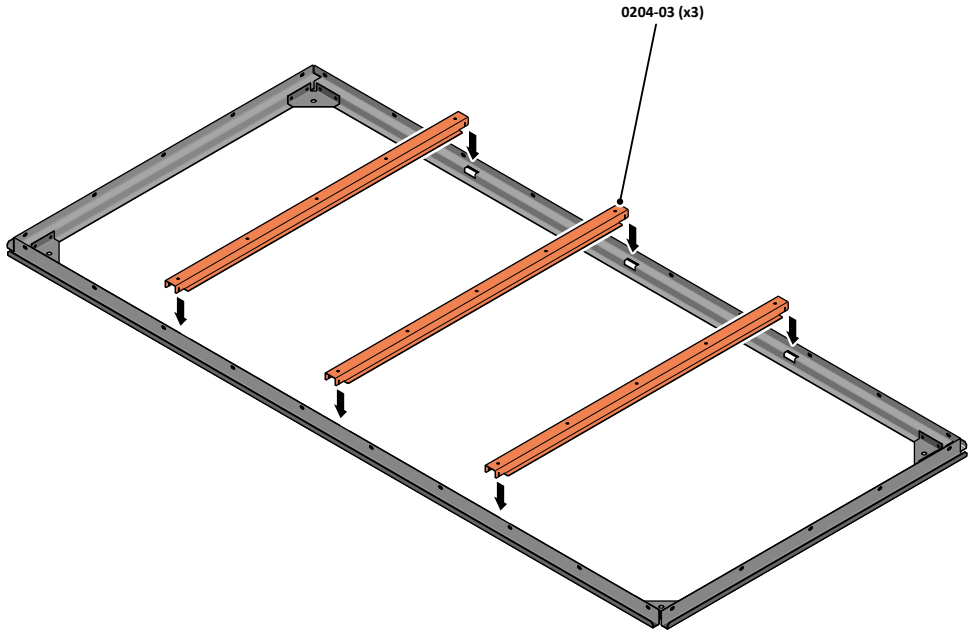


PLEASE NOTE: SECTION VIEW OF TYPICAL FIXING METHOD.

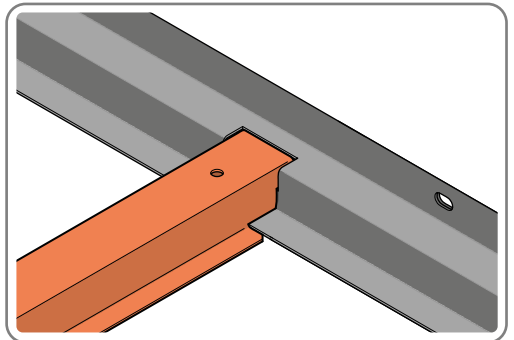


## ASSEMBLY STAGE 2

LOCATE AND SECURE A FLOOR BRACE 0204-03 AT EACH LOCATION INDICATED.



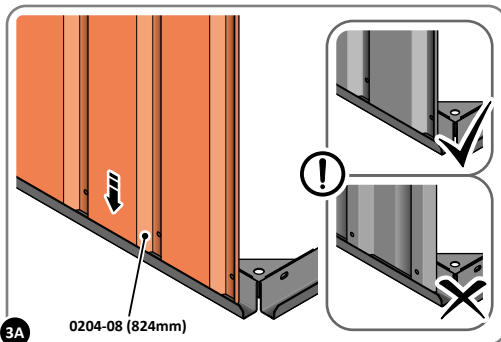
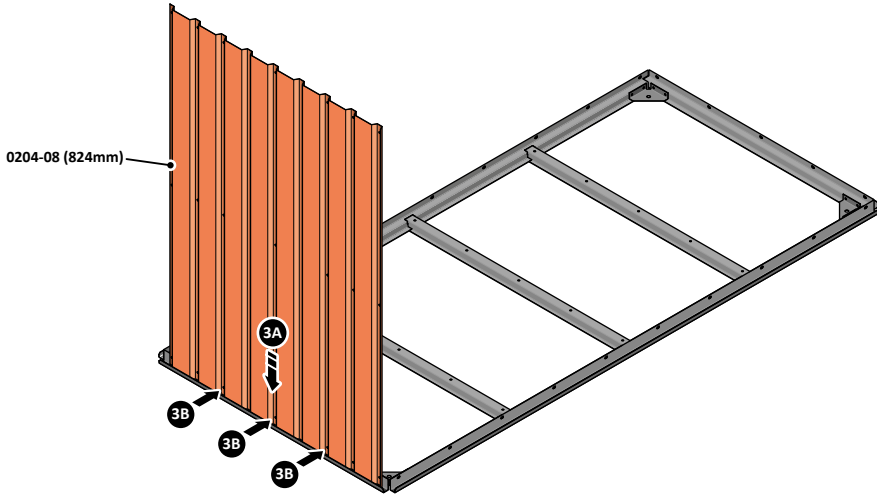
SLOT EACH FLOOR BRACE 0204-03 INTO POSITION AS SHOWN ABOVE.



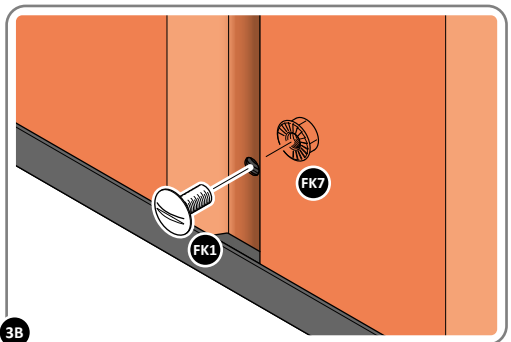
**PLEASE NOTE:** ENSURE TOP OF FLOOR BRACE IS LEVEL WITH TOP OF FLOOR RAIL.

## ASSEMBLY STAGE 3

LOCATE SIDE WALL PANEL 0204-08 (824mm WIDE), PLEASE NOTE EACH PANEL DOES NOT HAVE A SPECIFIC TOP OR BOTTOM SO CAN BE LOCATED EITHER WAY.



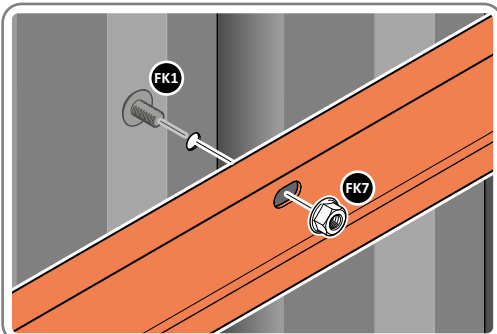
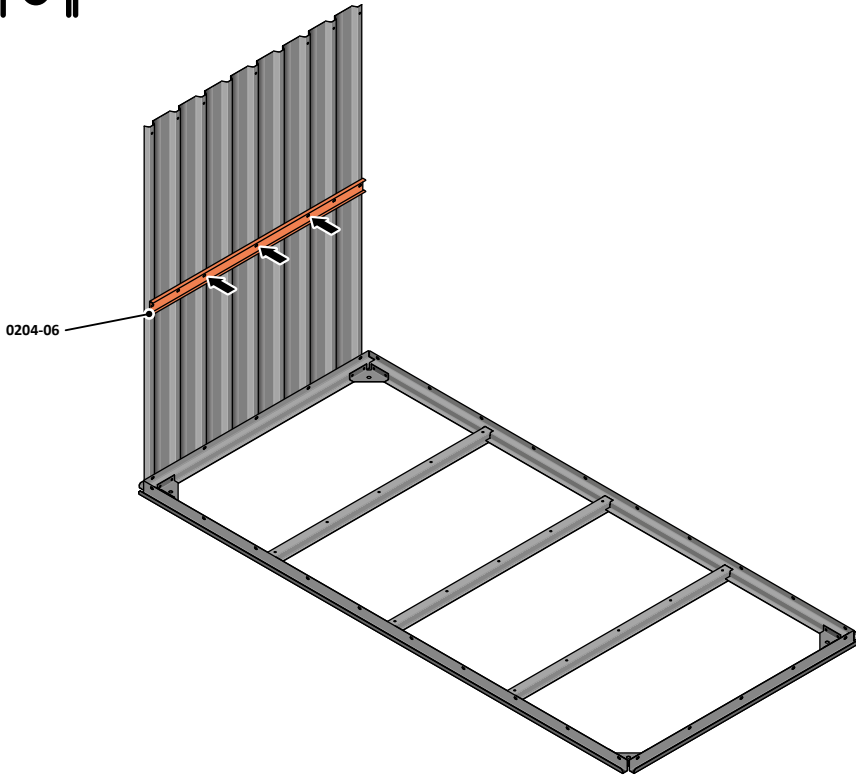
**3A** 0204-08 (824mm)  
LOCATE SIDE WALL PANEL 0204-08 INTO POSITION AS SHOWN ABOVE.  
**IMPORTANT: ENSURE PANEL IS IN THE CORRECT ORIENTATION.**



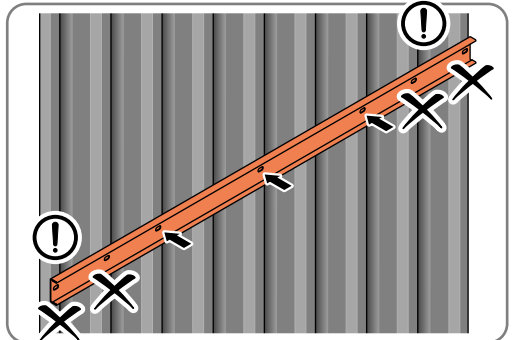
**3B**  
LOOSELY ATTACH SIDE WALL PANEL ONTO FLOOR RAIL AT X3 LOCATIONS INDICATED.  
**IMPORTANT: ONLY ATTACH AT FIXING POINTS INDICATED AT THIS STAGE.**

## ASSEMBLY STAGE 4

LOCATE AND LOOSELY ATTACH SHORT CENTRE BRACE 0204-06 ONTO SIDE WALL.



LOCATE AND LOOSELY ATTACH SHORT CENTRE BRACE 0204-06 AS SHOWN AT x3 LOCATIONS INDICATED ABOVE.



LOOSELY ATTACH AT x3 LOCATIONS INDICATED ONLY.  
**IMPORTANT: ONLY ATTACH AT FIXING POINTS INDICATED AT THIS STAGE.**

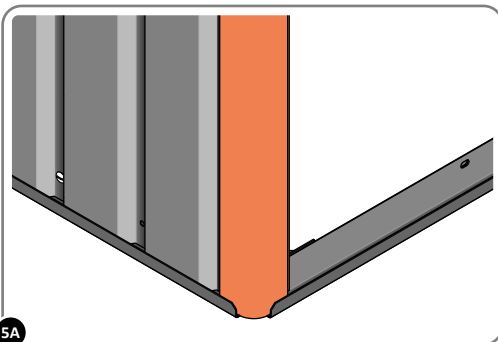
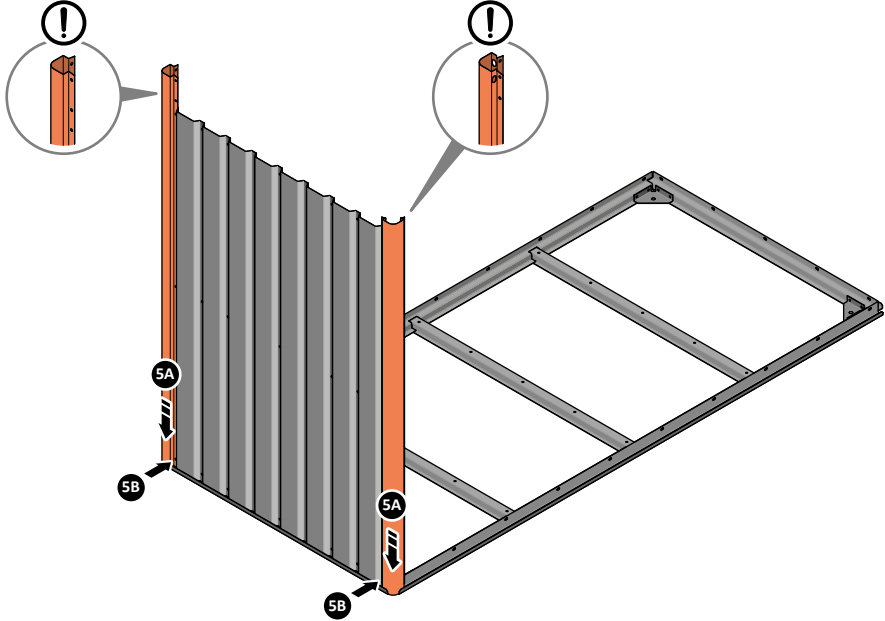
## ASSEMBLY STAGE 5

LOCATE AND LOOSELY ATTACH CORNER POSTS 0204-10 (1237mm) & 0204-11 (1302mm LONG) ONTO SIDE WALL.

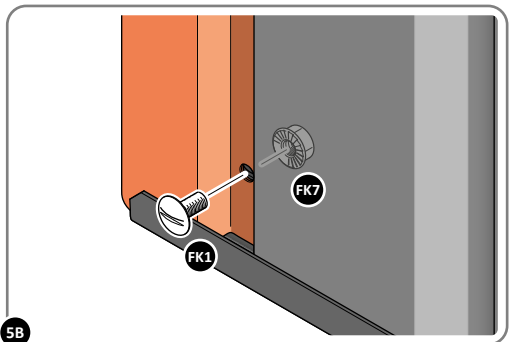


0204-11 (1302mm LONG)  
x3 HOLES AT TOP

0204-10 (1237mm LONG)  
x2 HOLES & LARGE OBOUNDED AT TOP



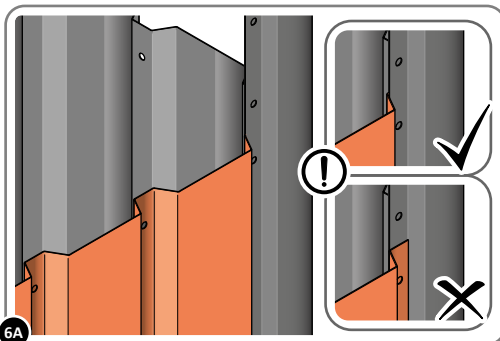
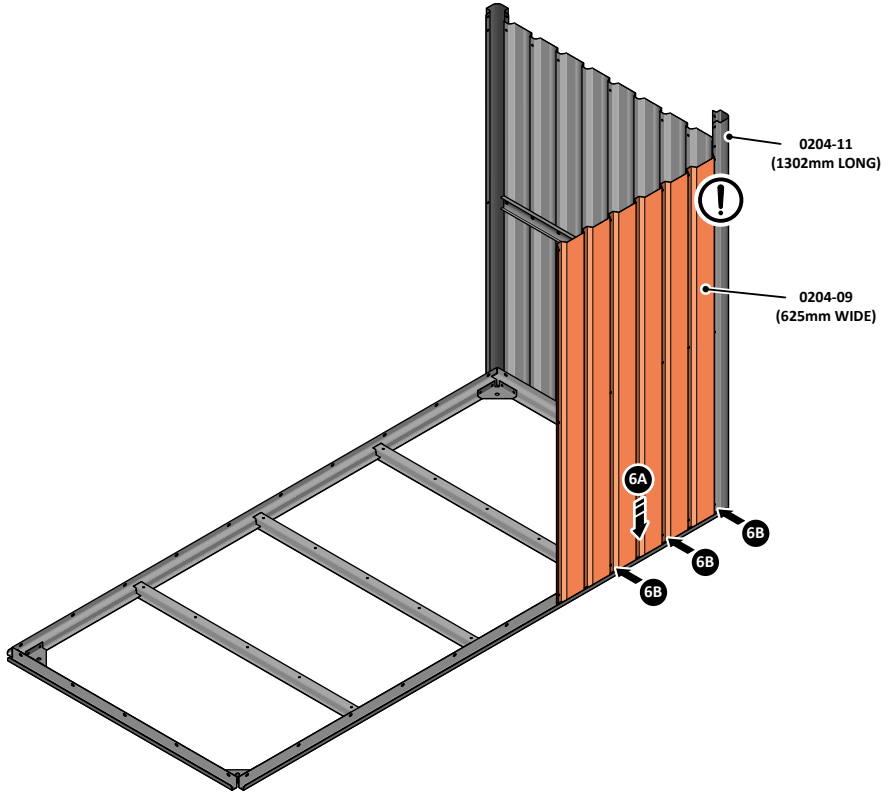
5A LOCATE CORNER POSTS 0204-10 & 0204-11 AS SHOWN AT X2 LOCATIONS ABOVE.



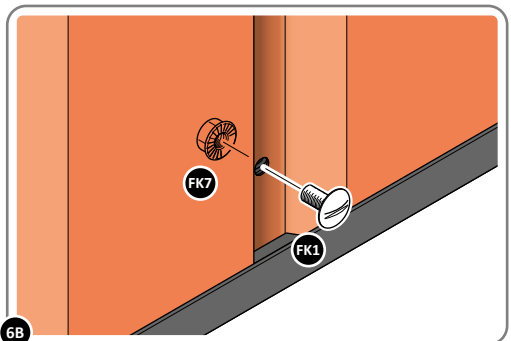
5B LOOSELY ATTACH CORNER POSTS AT X2 LOCATIONS INDICATED ONLY.  
**IMPORTANT: ONLY ATTACH AT FIXING POINTS INDICATED AT THIS STAGE.**

## ASSEMBLY STAGE 6

LOCATE BACK WALL PANEL 0204-09 (625mm WIDE), PLEASE NOTE THE PANEL DOES NOT HAVE A SPECIFIC TOP OR BOTTOM BUT ENSURE IT IS LOCATED AS INSTRUCTED.



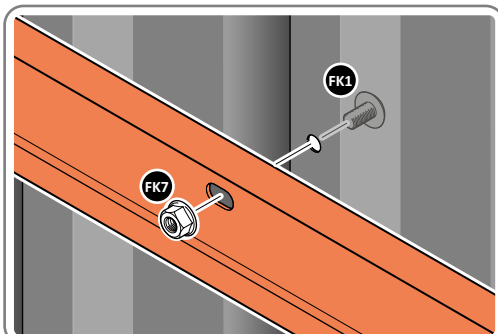
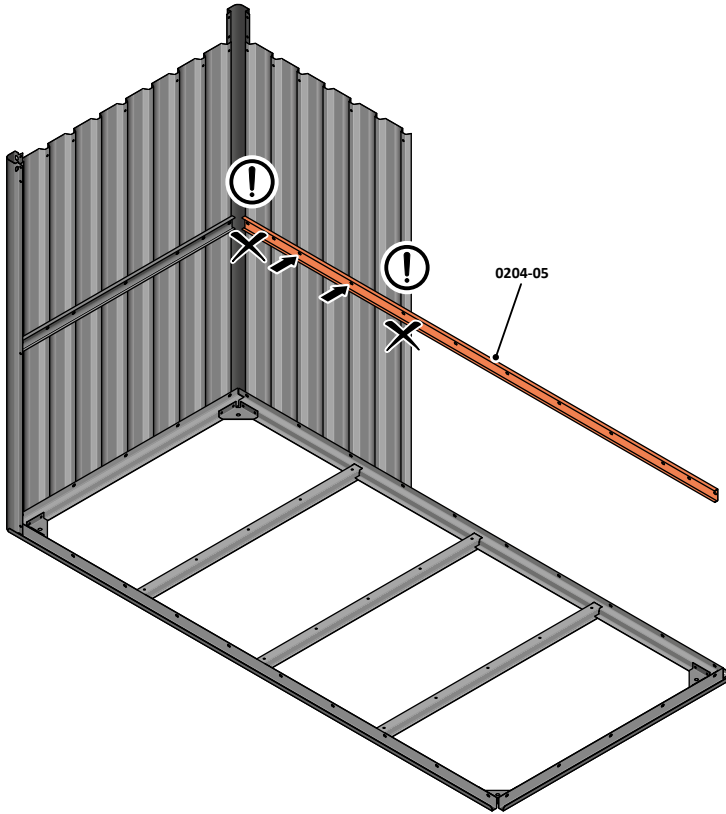
6A LOCATE FIRST BACK WALL PANEL 0204-09 (625mm WIDE) AS SHOWN ABOVE.  
**IMPORTANT: ENSURE PANEL IS IN THE CORRECT ORIENTATION.**



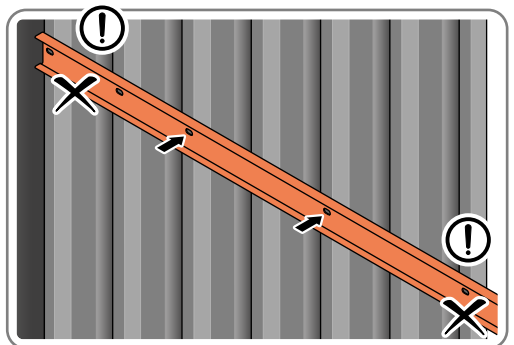
6B LOOSELY ATTACH BACK WALL PANEL AT x3 LOCATIONS INDICATED ONLY.  
**IMPORTANT: ONLY ATTACH AT FIXING POINTS INDICATED AT THIS STAGE.**

## ASSEMBLY STAGE 7

LOCATE AND LOOSELY ATTACH LONG CENTRE BRACE 0204-05 ONTO BACK WALL PANEL.



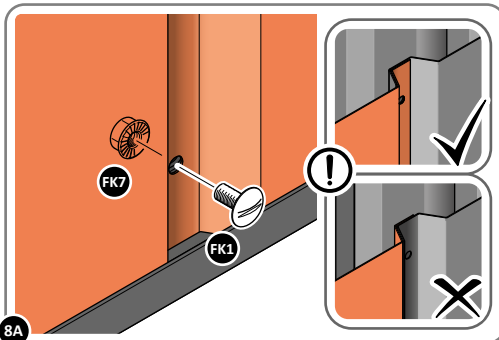
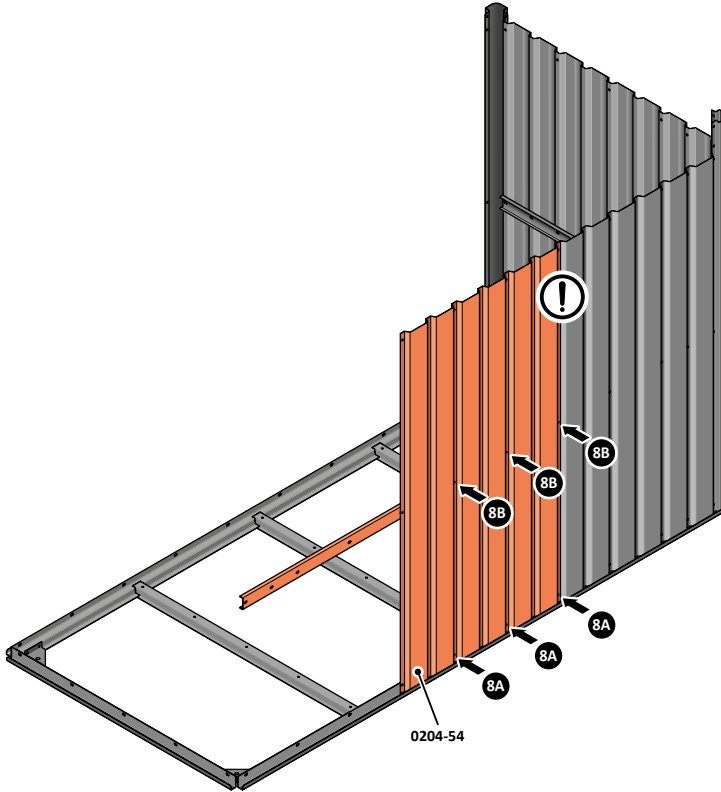
LOCATE AND LOOSELY ATTACH LONG CENTRE BRACE 0204-05 AS SHOWN AT x2 LOCATIONS INDICATED ABOVE ONLY.



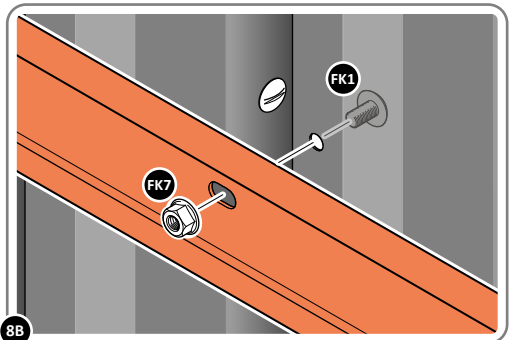
LOOSELY ATTACH AT x2 LOCATIONS INDICATED ONLY.  
**IMPORTANT: ONLY ATTACH AT FIXING POINTS INDICATED AT THIS STAGE.**

## ASSEMBLY STAGE 8

LOCATE BACK WALL MIDDLE PANEL 0204-54 (616mm WIDE), PLEASE NOTE THE PANEL DOES NOT HAVE A SPECIFIC TOP OR BOTTOM BUT ENSURE IT IS LOCATED AS INSTRUCTED.



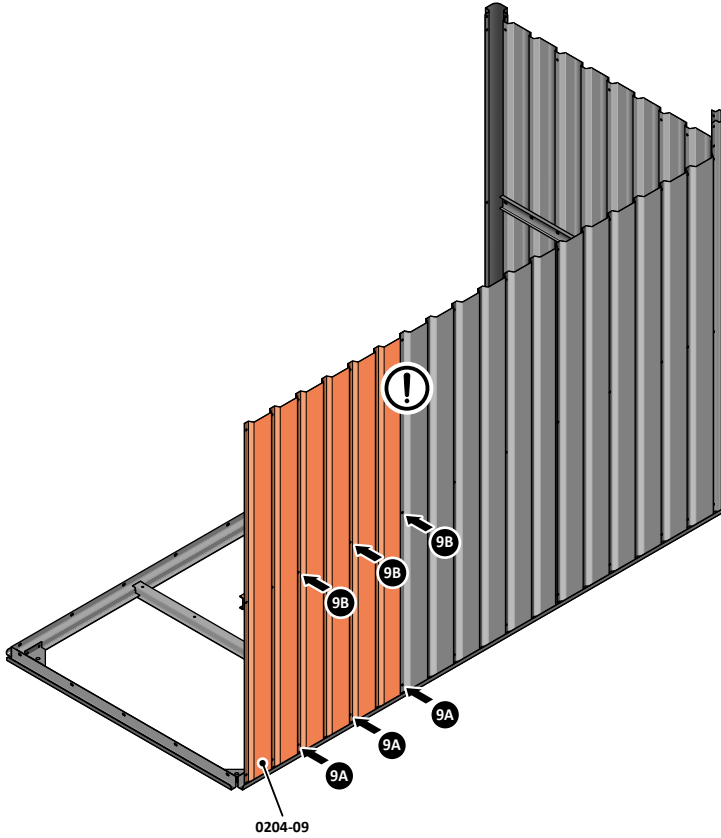
LOCATE AND LOOSELY ATTACH BACK WALL MIDDLE PANEL AT x3 LOCATIONS.  
**IMPORTANT: ENSURE PANEL IS IN THE CORRECT ORIENTATION.**



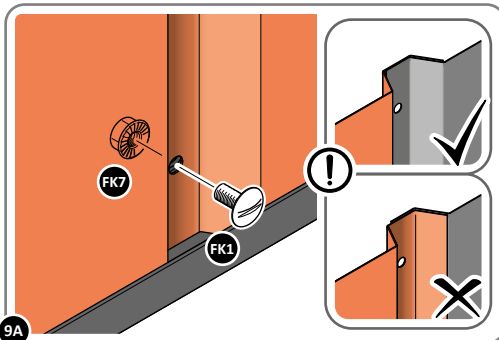
LOOSELY ATTACH AT x3 LOCATIONS INDICATED ONLY.

## ASSEMBLY STAGE 9

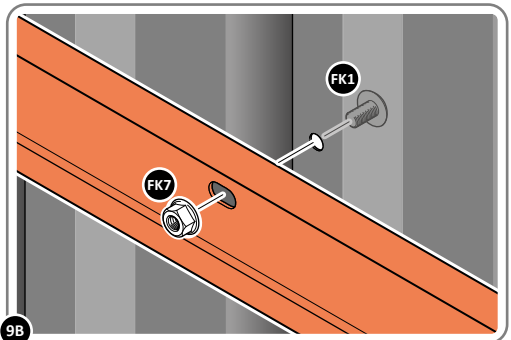
LOCATE BACK WALL PANEL 0204-09 (625mm WIDE), PLEASE NOTE THE PANEL DOES NOT HAVE A SPECIFIC TOP OR BOTTOM BUT ENSURE IT IS LOCATED AS INSTRUCTED.



0204-09



LOCATE AND LOOSELY ATTACH BACK WALL MIDDLE PANEL AT x3 LOCATIONS.  
**IMPORTANT: ENSURE PANEL IS IN THE CORRECT ORIENTATION.**

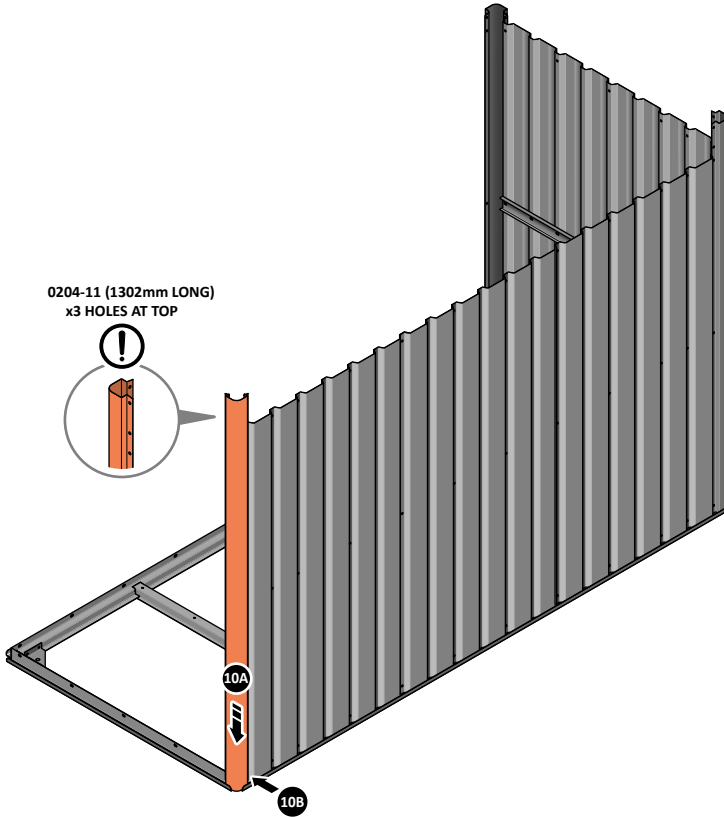


LOOSELY ATTACH AT x3 LOCATIONS INDICATED ONLY.

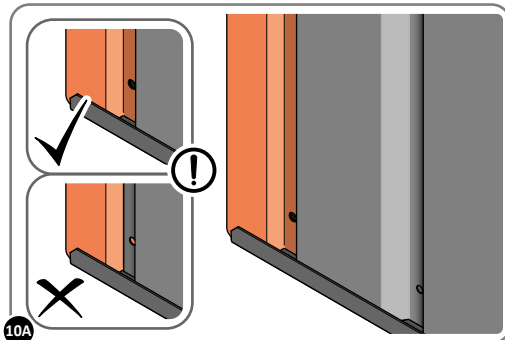
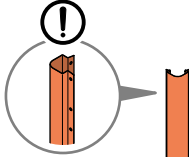


## ASSEMBLY STAGE 10

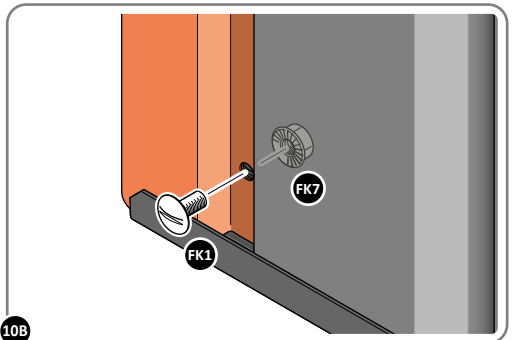
LOCATE AND LOOSELY ATTACH CORNER POST 0204-11 (1302mm LONG) ONTO SIDE WALL.



0204-11 (1302mm LONG)  
x3 HOLES AT TOP



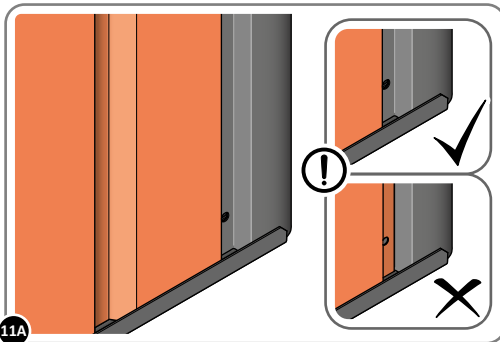
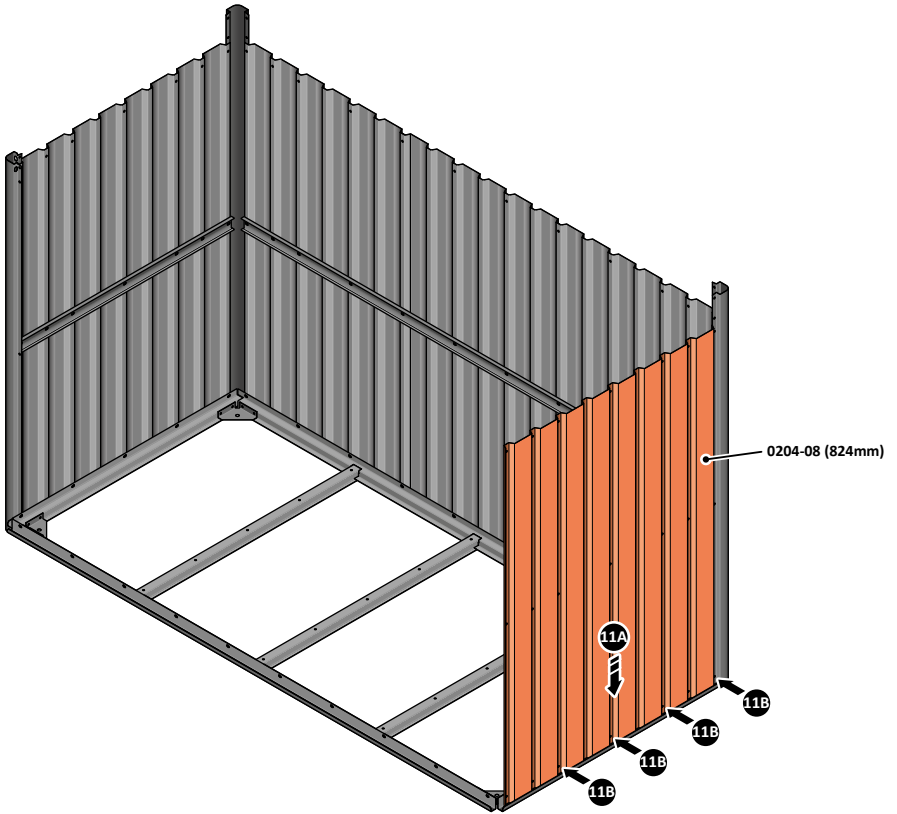
10A LOCATE CORNER POST 0204-11 (1302mm) AS SHOWN ABOVE.



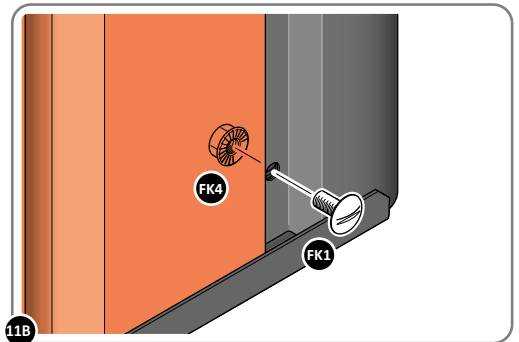
10B LOOSELY ATTACH CORNER POST AT LOCATION INDICATED ONLY.

## ASSEMBLY STAGE 11

LOCATE SIDE WALL PANEL 0204-08 (824mm WIDE), PLEASE NOTE THE PANEL DOES NOT HAVE A SPECIFIC TOP OR BOTTOM SO CAN BE LOCATED EITHER WAY.



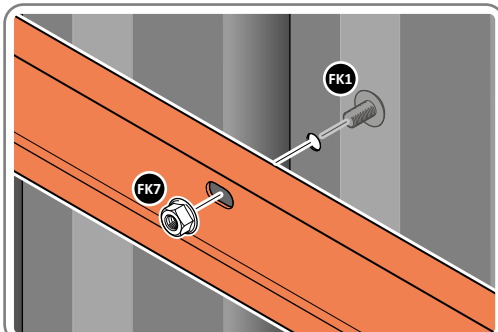
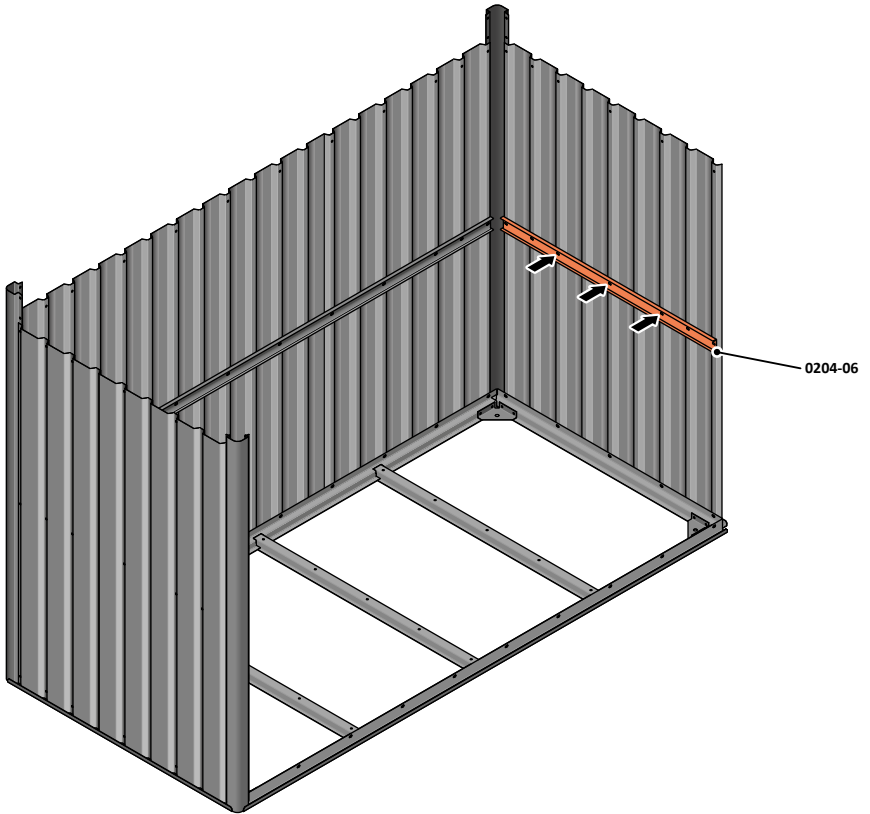
LOCATE SIDE WALL PANEL 0203-09 INTO POSITION AS SHOWN ABOVE.  
**IMPORTANT: ENSURE PANEL IS IN THE CORRECT ORIENTATION.**



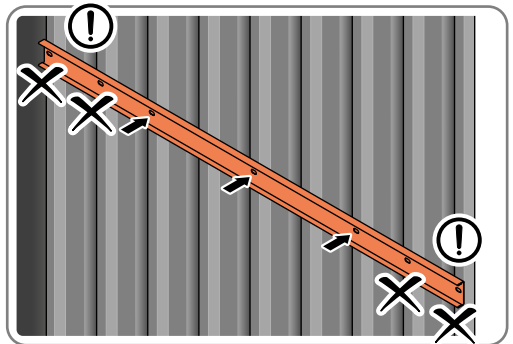
LOOSELY ATTACH SIDE WALL PANEL ONTO FLOOR RAIL AT X3 LOCATIONS INDICATED.  
**IMPORTANT: DO NOT SECURE AT OUTER FIXING POINTS AT THIS STAGE.**

## ASSEMBLY STAGE 12

LOCATE AND LOOSELY ATTACH SHORT CENTRE BRACE 0204-06 ONTO SIDE WALL.



LOCATE AND LOOSELY ATTACH SHORT CENTRE BRACE 0204-06 AS SHOWN AT x3 LOCATIONS INDICATED ABOVE.



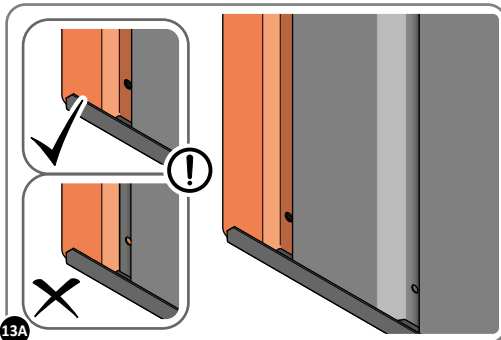
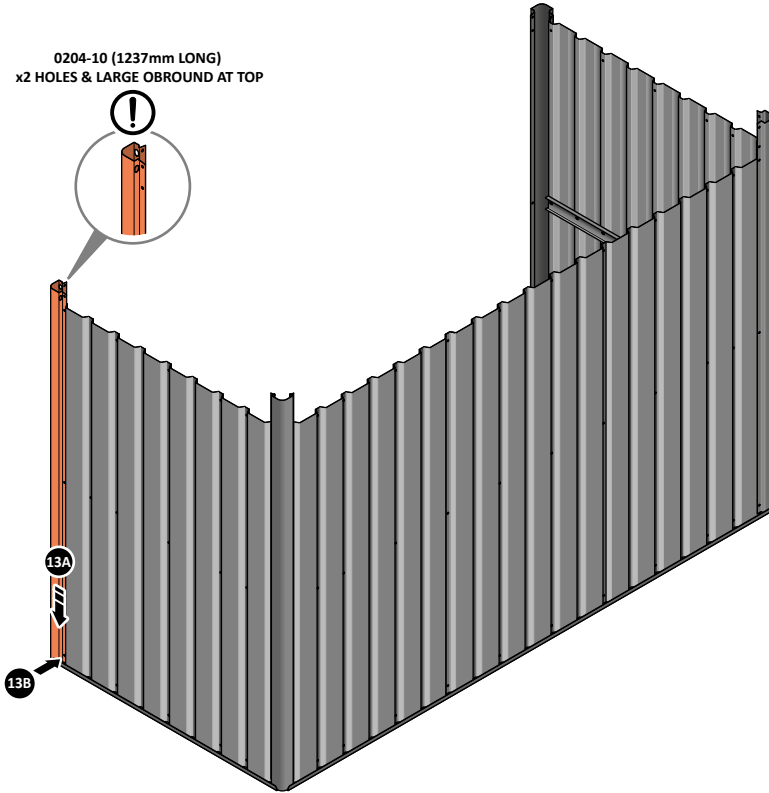
LOOSELY ATTACH AT x3 LOCATIONS INDICATED ONLY.  
**IMPORTANT: ONLY ATTACH AT FIXING POINTS INDICATED AT THIS STAGE.**

## ASSEMBLY STAGE 13

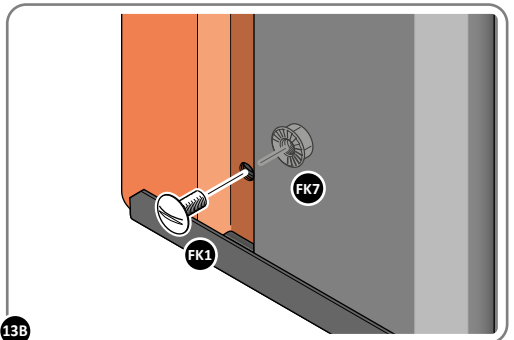
LOCATE AND LOOSELY ATTACH CORNER POST 0204-10 (1237mm) ONTO SIDE WALL.



0204-10 (1237mm LONG)  
x2 HOLES & LARGE OBOURND AT TOP



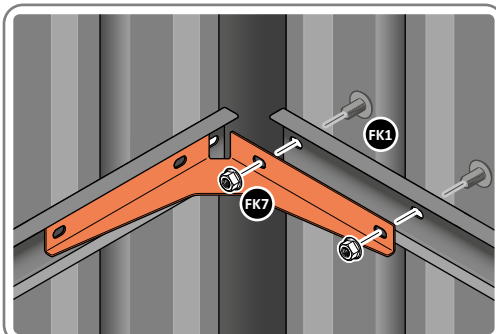
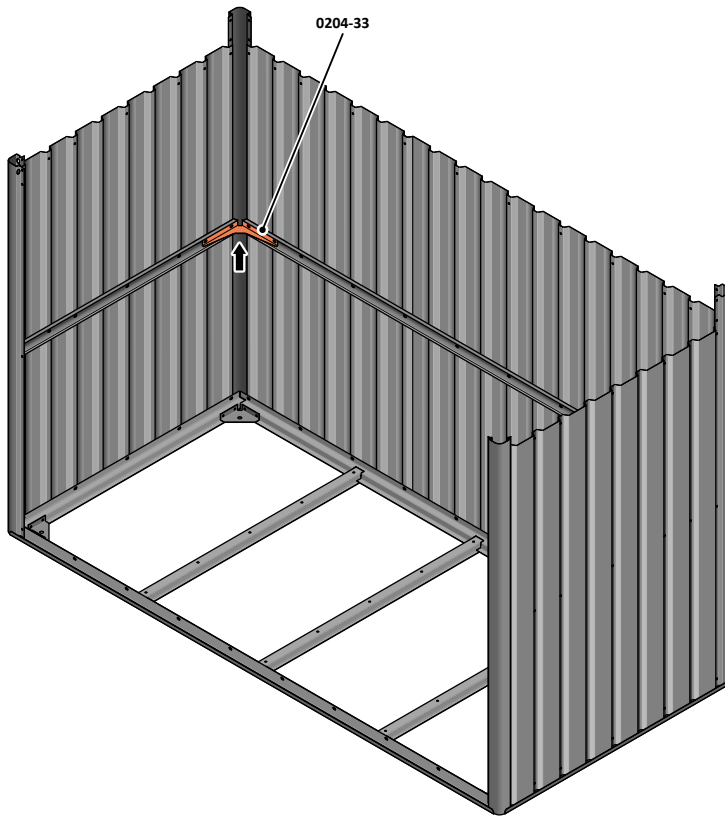
13A LOCATE CORNER POST 0204-10 (1237mm) AS SHOWN ABOVE.



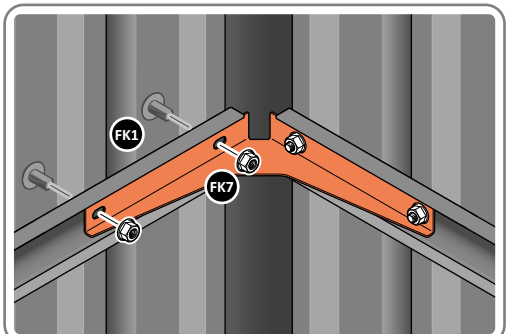
13B LOOSELY ATTACH CORNER POST AT LOCATION INDICATED ONLY.

## ASSEMBLY STAGE 14

LOCATE AND LOOSELY ATTACH A CENTRE BRACE REAR BRACKET 0204-33.



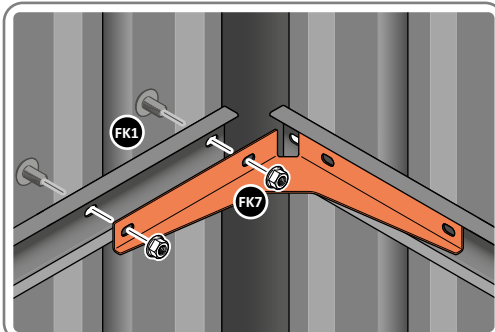
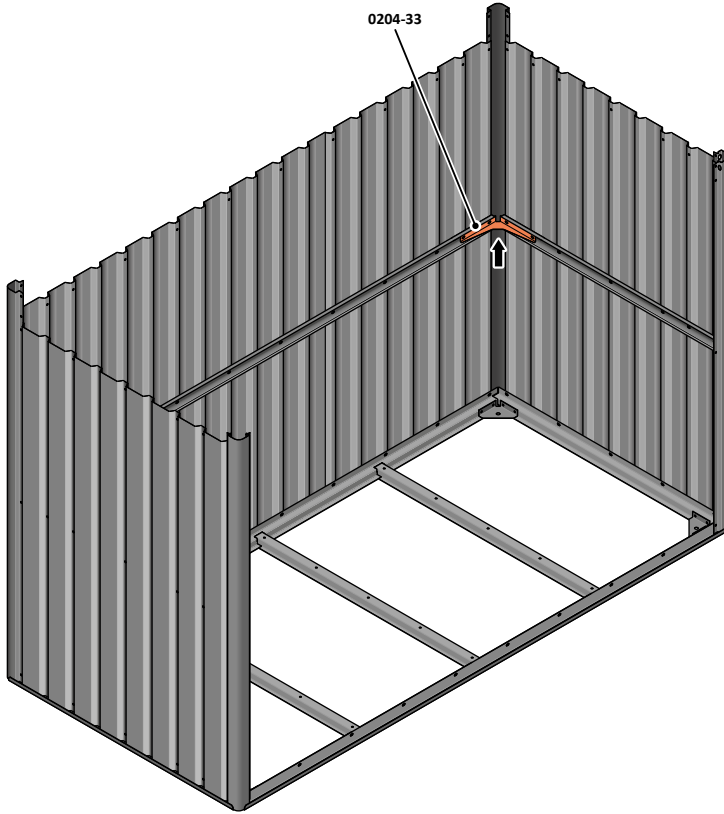
LOCATE AND LOOSELY ATTACH CENTRE BRACE CORNER BRACKET 0204-33 AS SHOWN ABOVE.



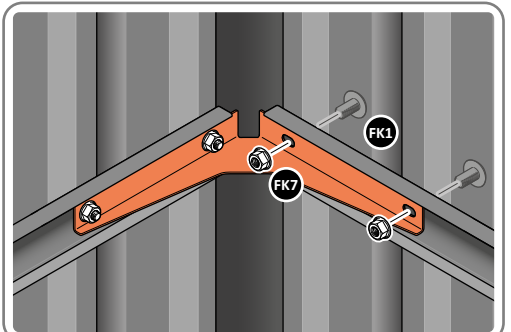
LOOSELY ATTACH CENTRE BRACE CORNER BRACKET 0204-33 AT REMAINING FIXING POINTS AS SHOWN.

## ASSEMBLY STAGE 15

LOCATE AND LOOSELY ATTACH A CENTRE BRACE REAR BRACKET 0204-33.



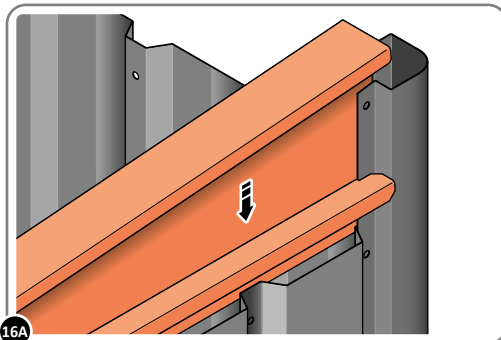
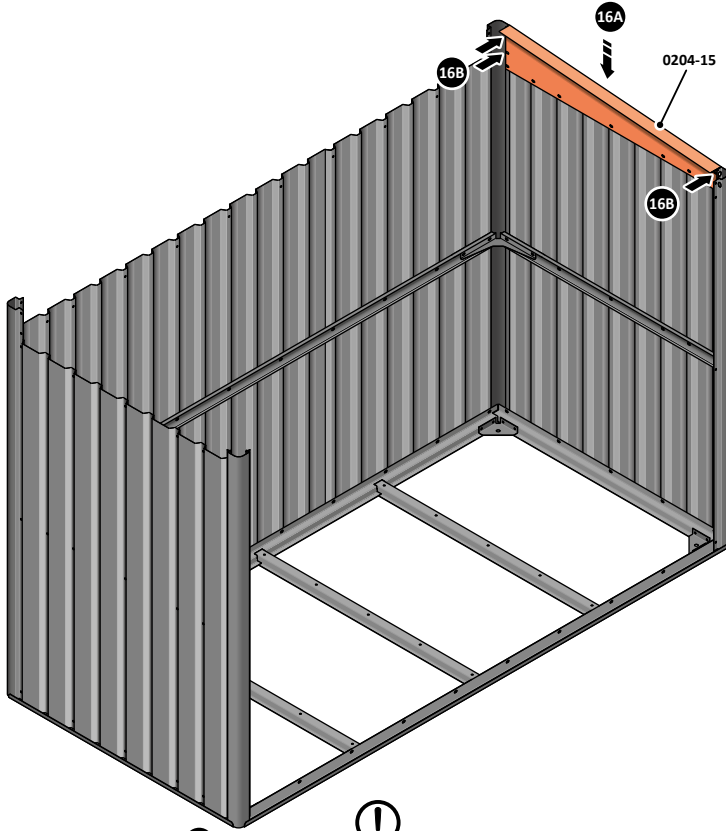
LOCATE AND LOOSELY ATTACH CENTRE BRACE CORNER BRACKET 0204-33 AS SHOWN ABOVE.



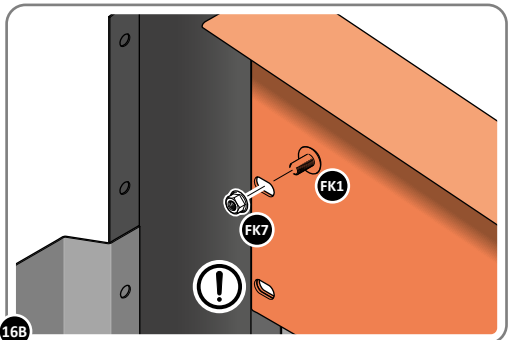
LOOSELY ATTACH CENTRE BRACE CORNER BRACKET 0204-33 AT REMAINING FIXING POINTS AS SHOWN.

## ASSEMBLY STAGE 16

LOCATE AND LOOSELY ATTACH RIGHT-HAND TOP RAIL 0204-15.



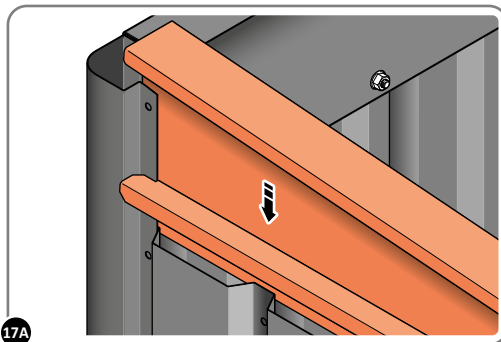
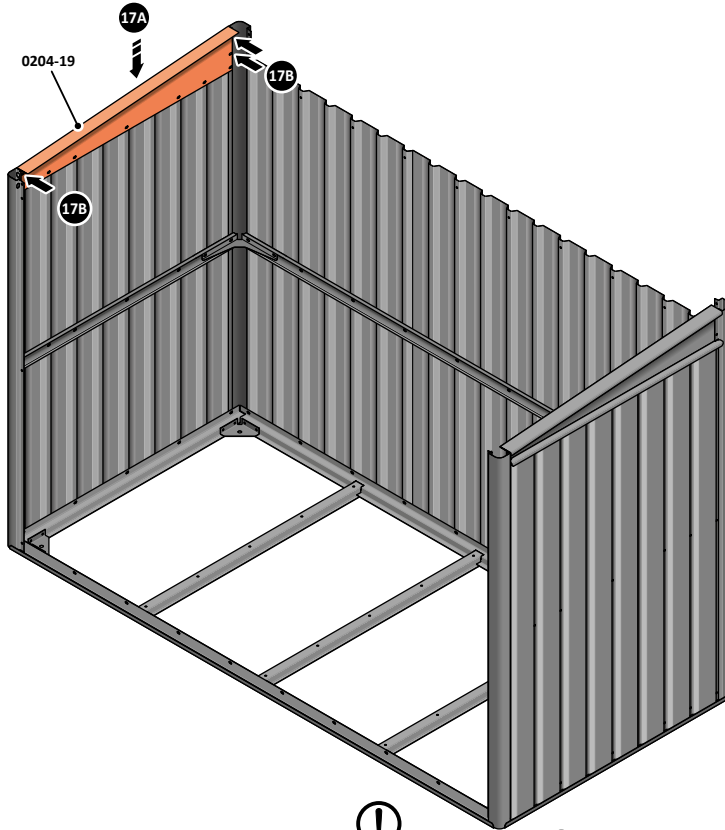
16A SLOT RIGHT-HAND TOP RAIL 0204-15 INTO POSITION AS SHOWN ABOVE.



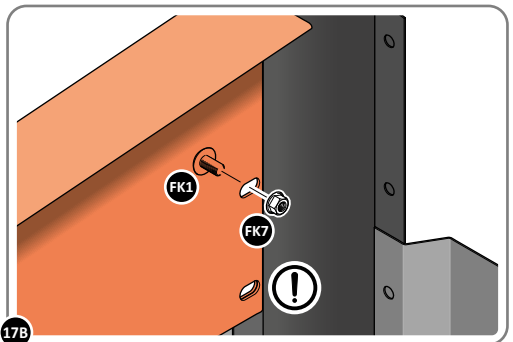
16B LOOSELY ATTACH AT x3 LOCATIONS INDICATED.  
**IMPORTANT: ONLY ATTACH AT FIXING POINTS INDICATED AT THIS STAGE.**

## ASSEMBLY STAGE 17

LOCATE AND LOOSELY ATTACH LEFT-HAND TOP RAIL 0204-19.



17A  
SLOT LEFT-HAND TOP RAIL 0204-19 INTO POSITION AS SHOWN ABOVE.

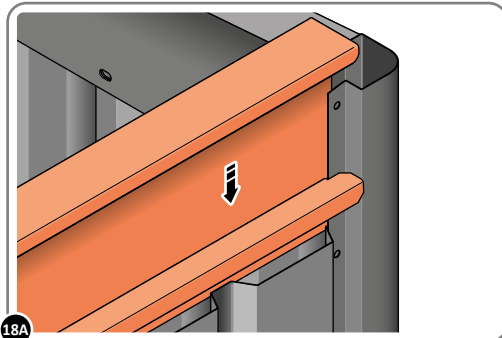
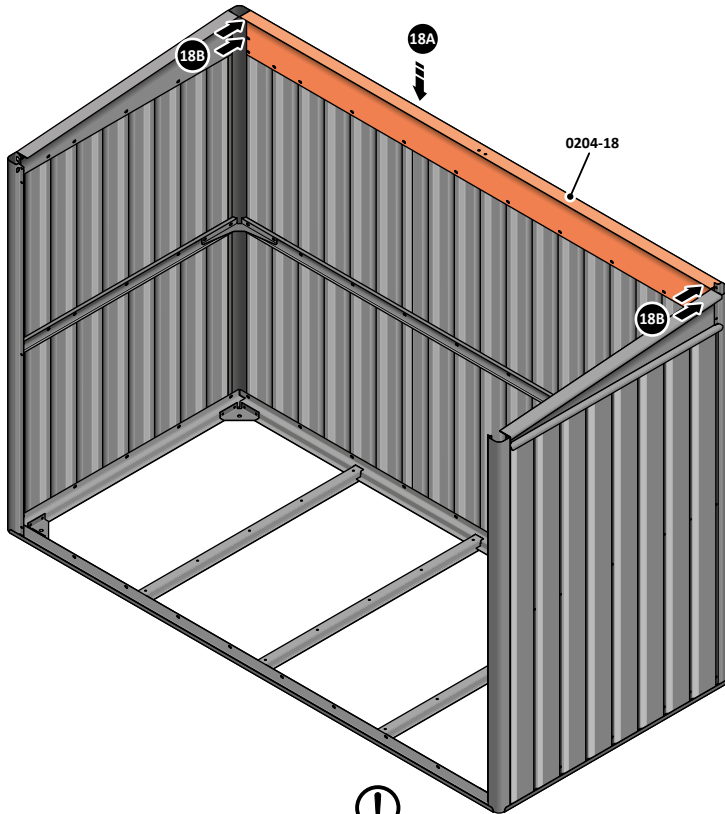


17B  
LOOSELY ATTACH AT x3 LOCATIONS INDICATED.  
**IMPORTANT: ONLY ATTACH AT FIXING POINTS INDICATED AT THIS STAGE.**

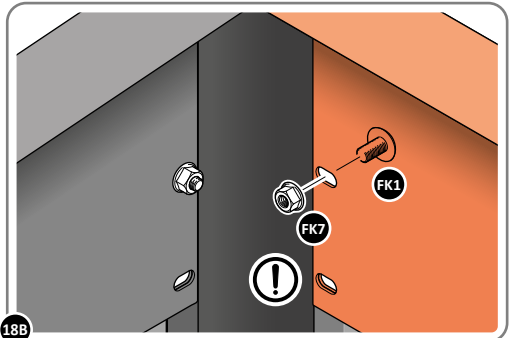


## ASSEMBLY STAGE 18

LOCATE AND LOOSELY ATTACH REAR TOP RAIL 0204-18.



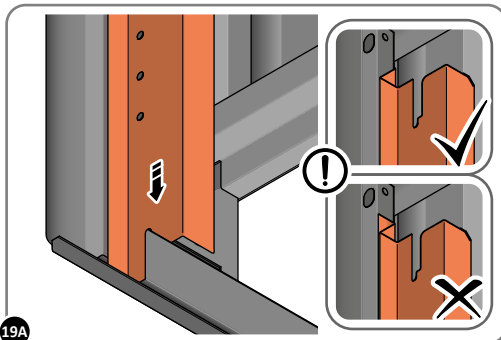
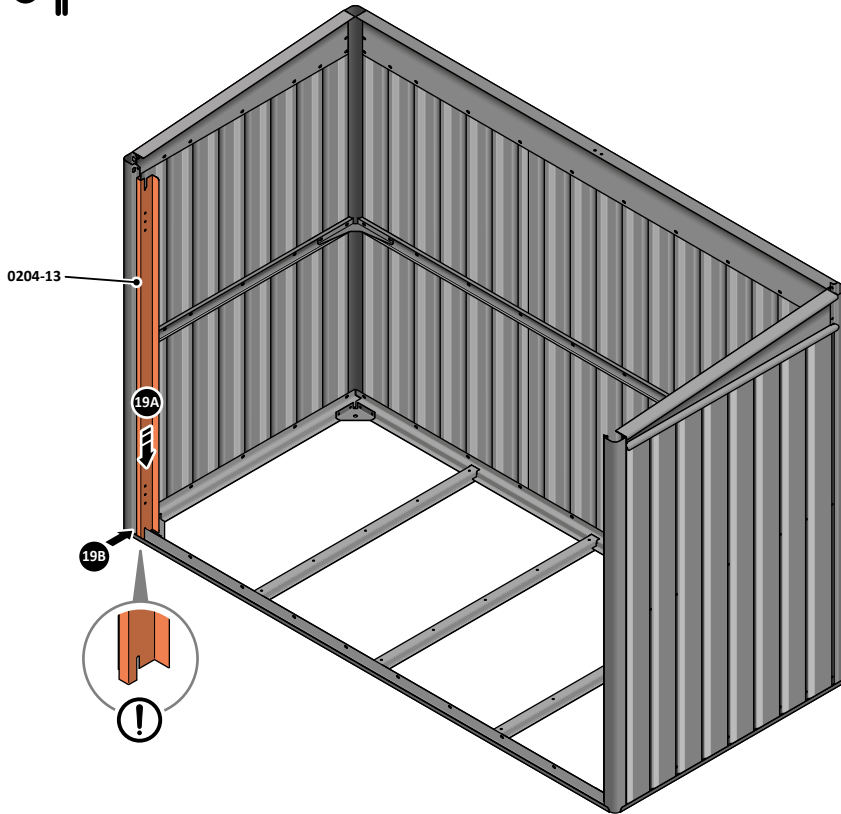
18A  
SLOT REAR TOP RAIL 0204-18 INTO POSITION AS SHOWN ABOVE.



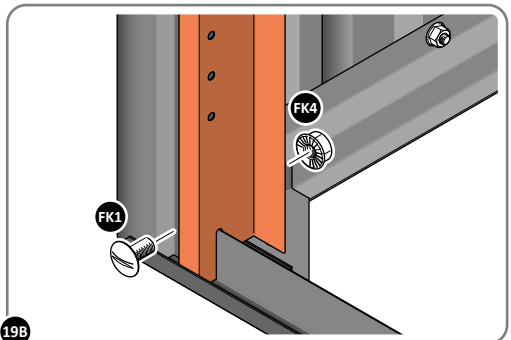
18B  
LOOSELY ATTACH AT x4 LOCATIONS INDICATED.  
**IMPORTANT: ONLY ATTACH AT FIXING POINTS INDICATED AT THIS STAGE.**

## ASSEMBLY STAGE 19

LOCATE AND LOOSELY ATTACH LEFT-HAND DOOR POST 0204-13.



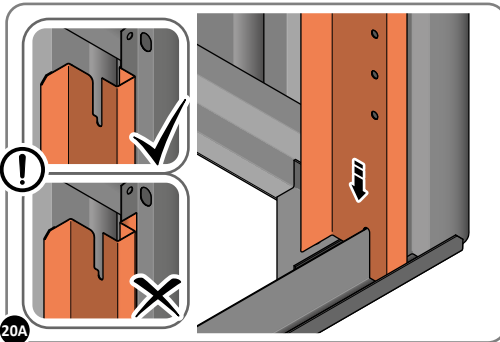
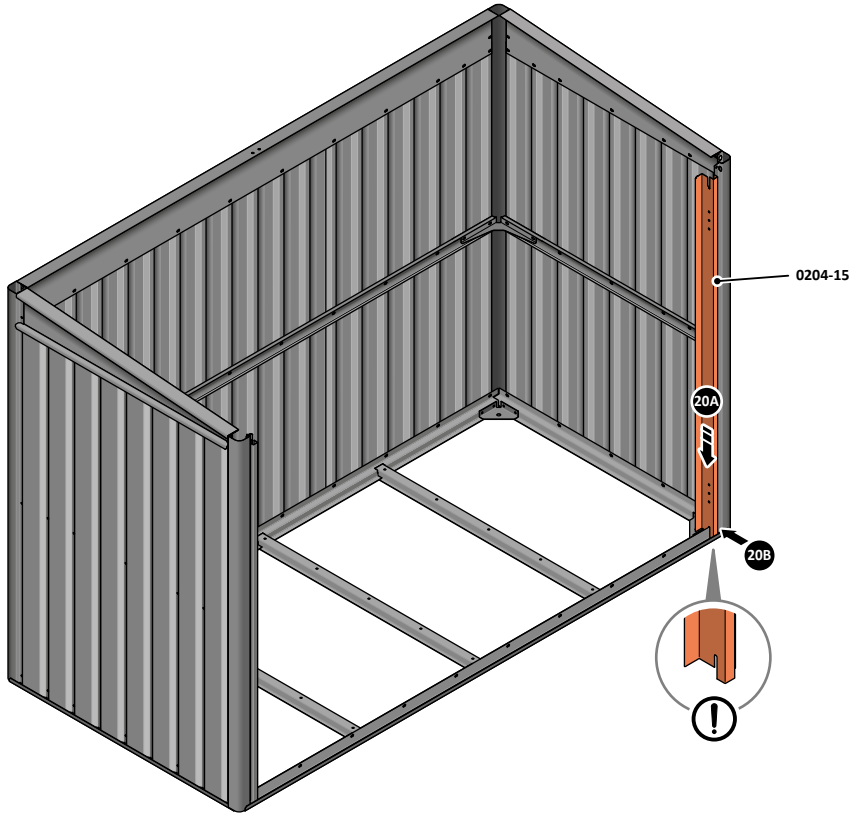
LOCATE LEFT-HAND DOOR POST 0204-13 AS SHOWN ABOVE.



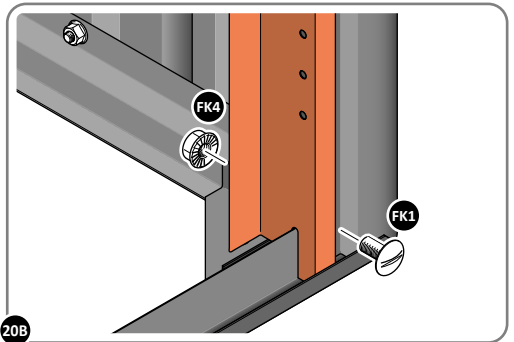
SECURE DOOR POST AT x1 LOCATION INDICATED.  
**IMPORTANT: ONLY ATTACH AT FIXING POINT INDICATED AT THIS STAGE.**

## ASSEMBLY STAGE 20

LOCATE AND LOOSELY ATTACH RIGHT-HAND DOOR POST 0204-15.



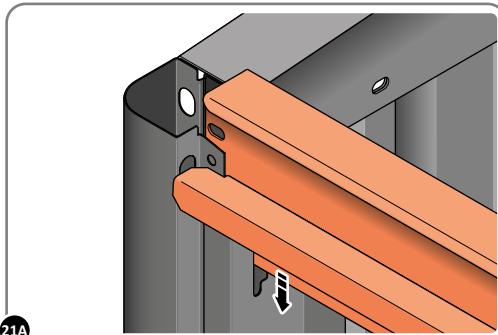
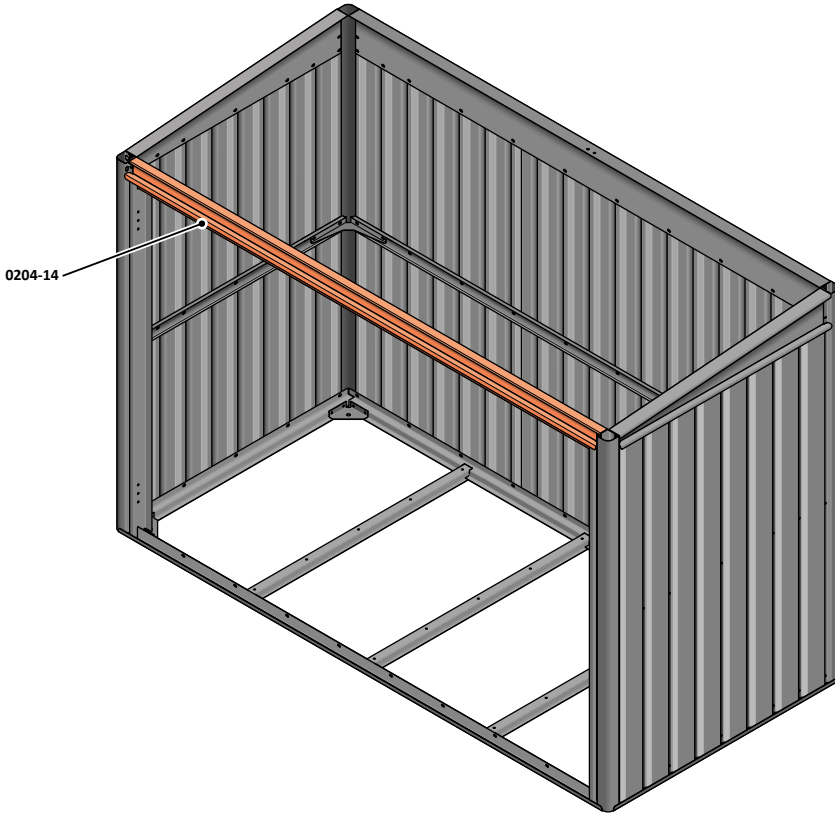
LOCATE RIGHT-HAND DOOR POST 0204-15 AS SHOWN ABOVE.



SECURE DOOR POST AT x1 LOCATION INDICATED.  
**IMPORTANT: ONLY ATTACH AT FIXING POINT INDICATED AT THIS STAGE.**

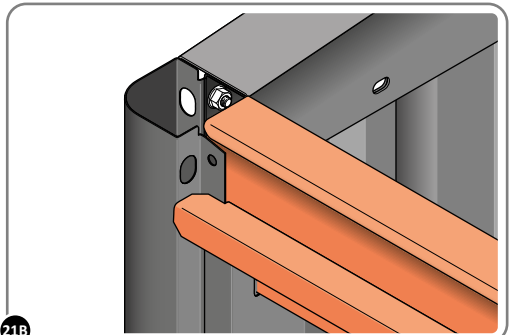
## ASSEMBLY STAGE 21

LOCATE AND LOOSELY ATTACH FRONT TOP RAIL 0204-14.



21A

SLOT FRONT TOP RAIL 0204-14 INTO POSITION AS SHOWN ABOVE.

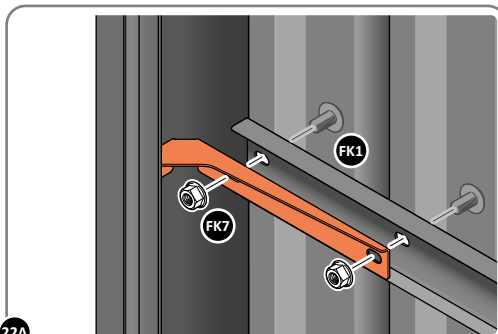
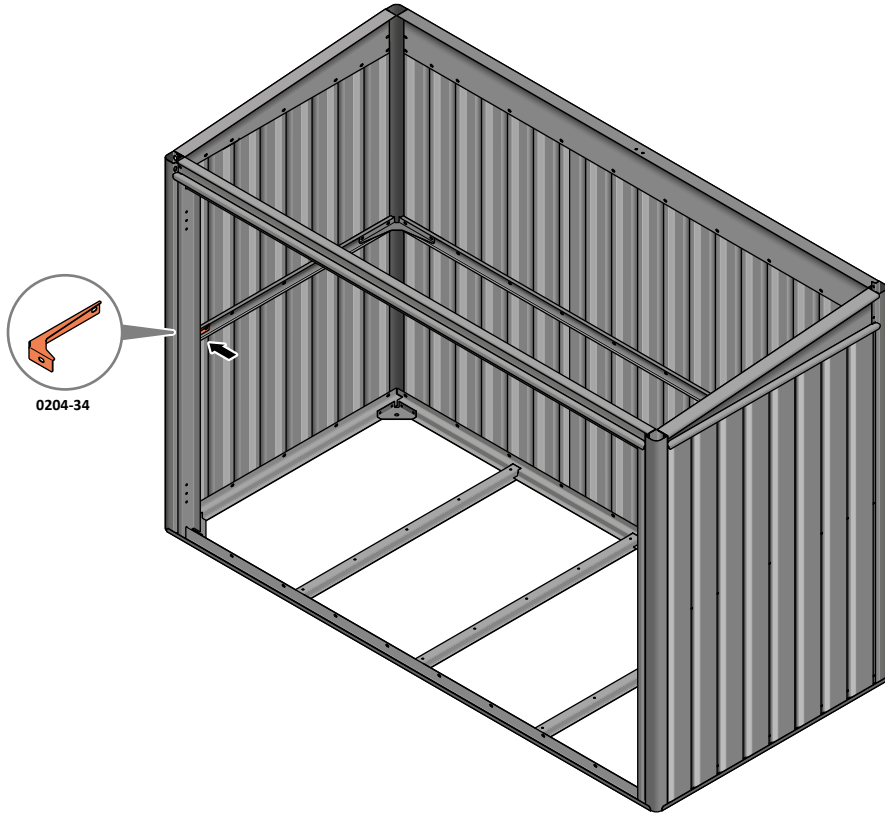


21B

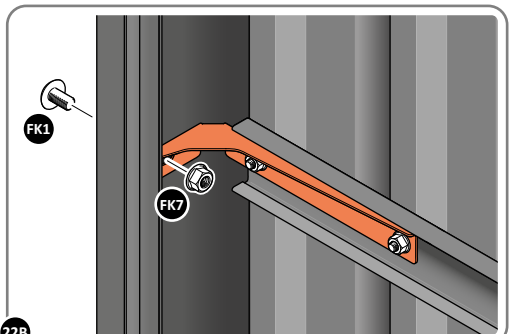
SECURE FRONT TOP RAIL AT x2 LOCATIONS INDICATED.

## ASSEMBLY STAGE 22

LOCATE AND LOOSELY ATTACH x1 CENTRE BRACE FRONT BRACKET 0204-34 AT THE LOCATION INDICATED.



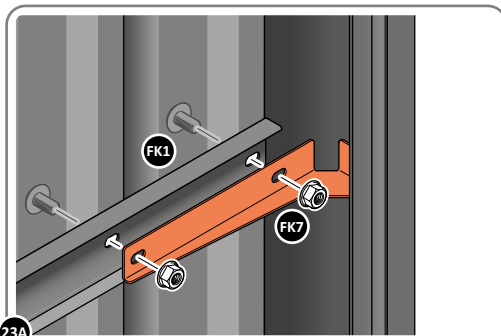
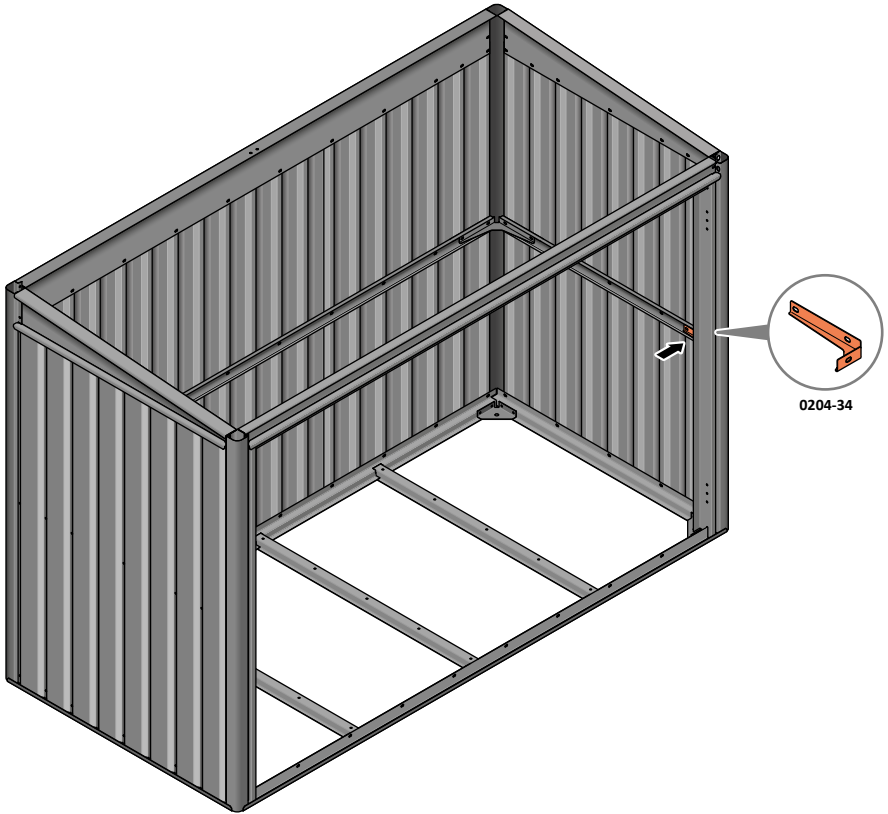
22A LOOSELY ATTACH CENTRE BRACE FRONT BRACKET 0204-34 AS SHOWN ABOVE.



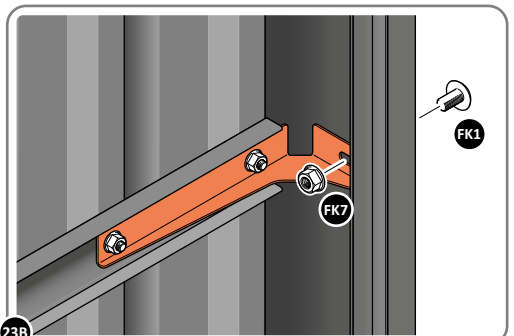
22B LOOSELY ATTACH AT REMAINING FIXING POINT AS SHOWN.

## ASSEMBLY STAGE 23

LOCATE AND LOOSELY ATTACH x1 CENTRE BRACE FRONT BRACKET 0204-34 AT THE LOCATION INDICATED.



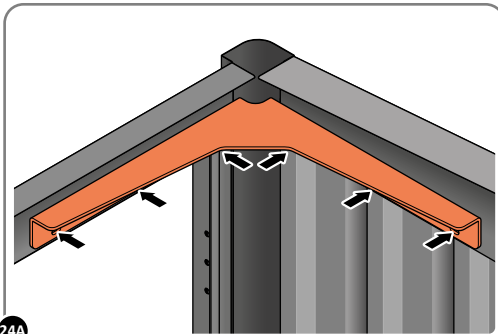
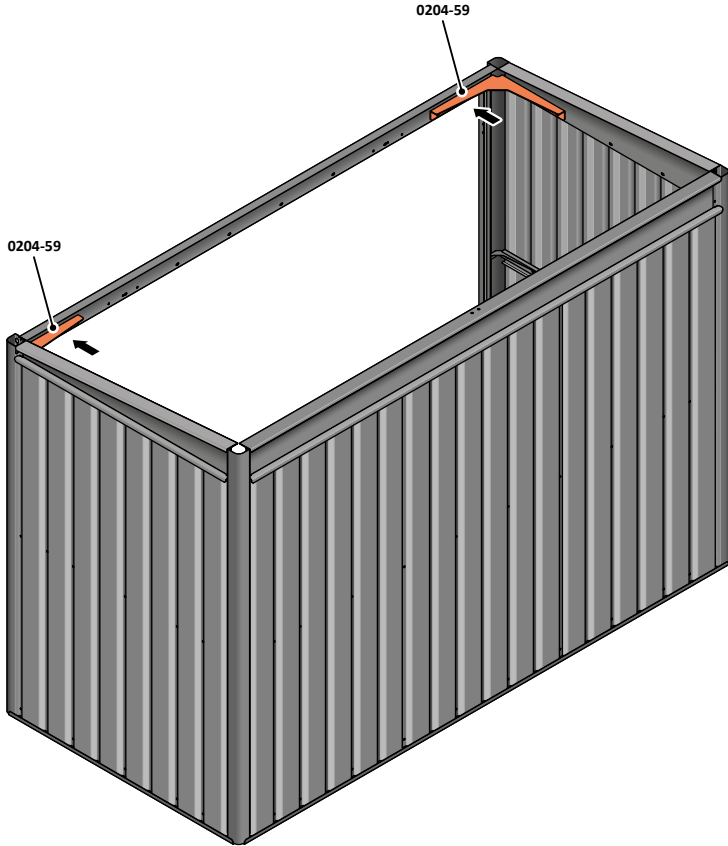
23A LOOSELY ATTACH CENTRE BRACE FRONT BRACKET 0204-34 AS SHOWN ABOVE.



23B LOOSELY ATTACH AT REMAINING FIXING POINT AS SHOWN.

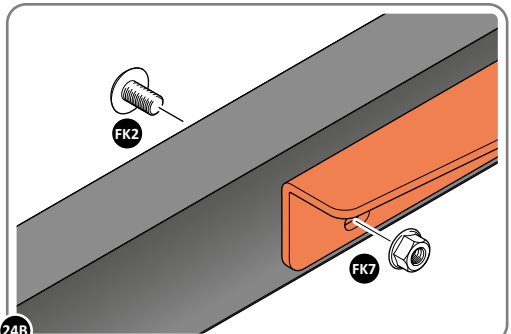
## ASSEMBLY STAGE 24

LOCATE AND LOOSELY ATTACH A TOP FRONT SUPPORT BRACKET 0204-59 AT EACH LOCATION INDICATED.



24A

LOCATE AND LOOSELY ATTACH EACH TOP FRONT SUPPORT BRACKET AS SHOWN USING THE TYPICAL FIXING METHOD SHOWN IN FIG. 24B.

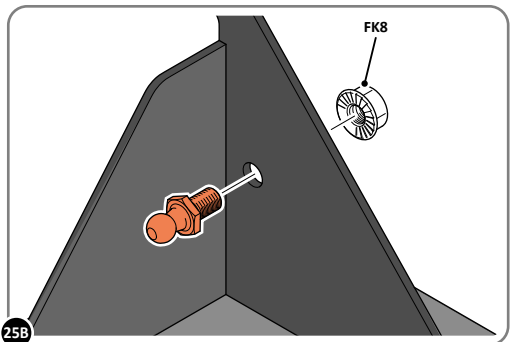
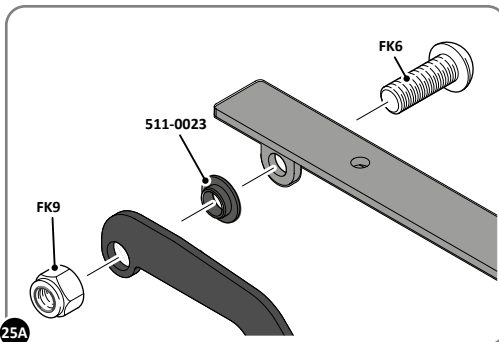
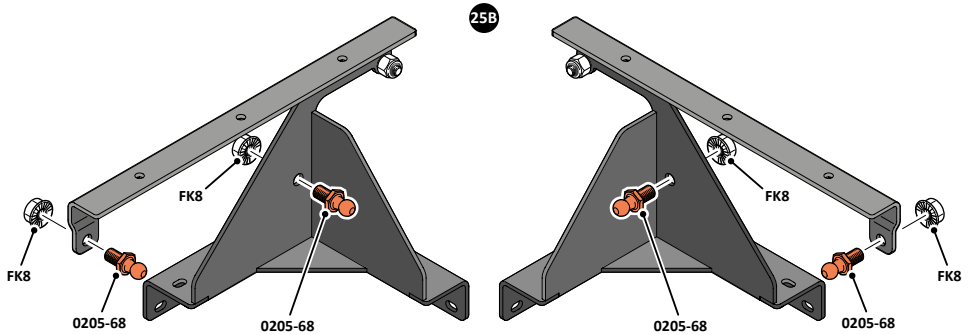
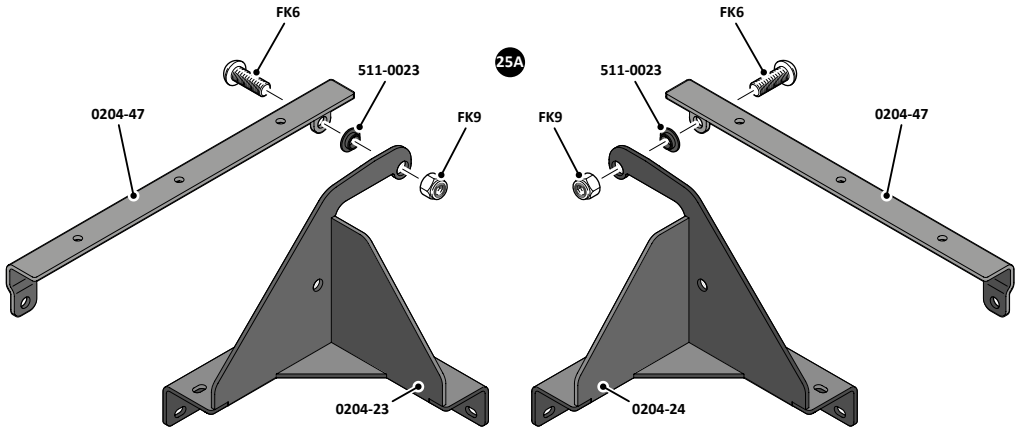


24B

LOOSELY ATTACH AT EACH FIXING POINT USING TYPICAL FIXING METHOD ABOVE.

## ASSEMBLY STAGE 25

ASSEMBLE HINGE BRACKET ASSEMBLIES.



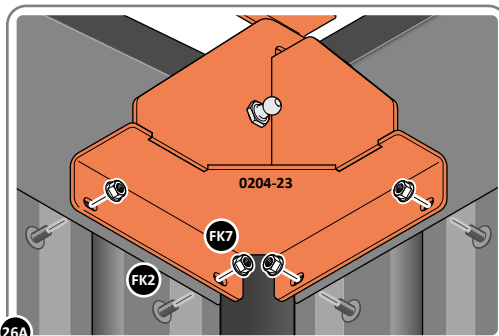
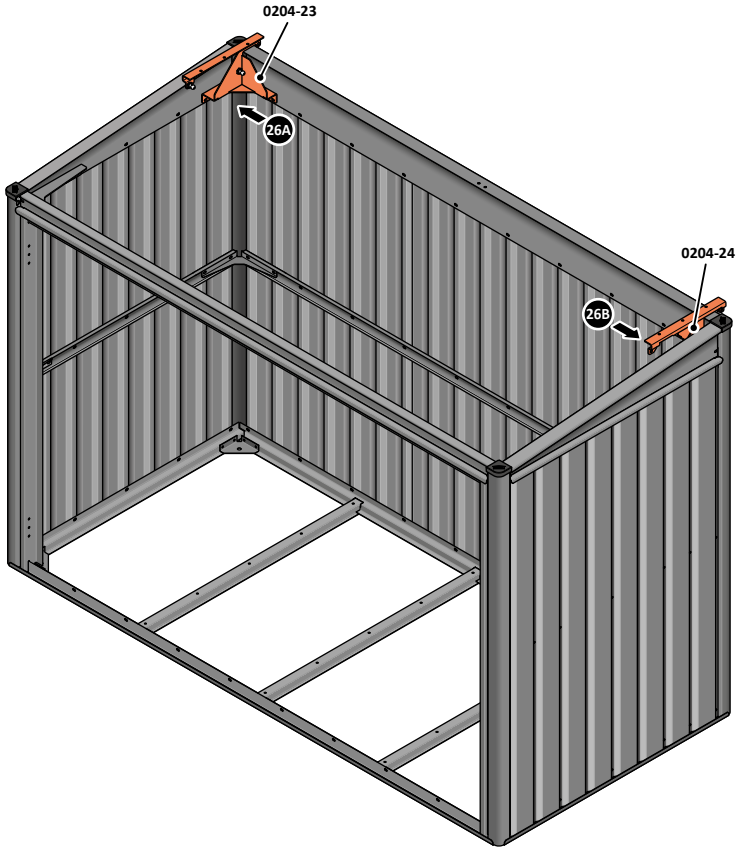
25A SECURE HINGE BRACKET PIVOTS 0204-47 & 0204-50 ONTO EACH HINGE BRACKET BASE 0204-23 & 0204-24 AS SHOWN.

25B SECURE BALL STUDS 0205-68 ONTO EACH HINGE BRACKET PIVOT AND HINGE BRACKET BASE AS SHOWN.

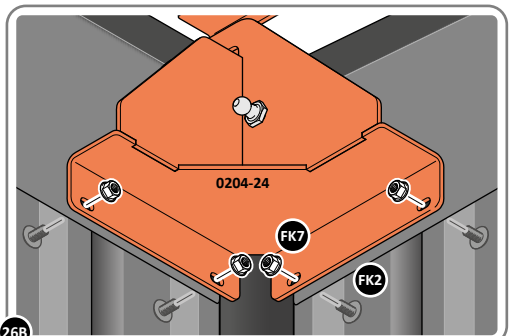


## ASSEMBLY STAGE 26

LOCATE AND LOOSELY ATTACH HINGE BRACKET ASSEMBLIES AT EACH LOCATION INDICATED.



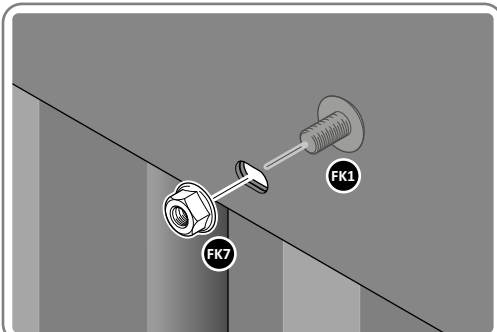
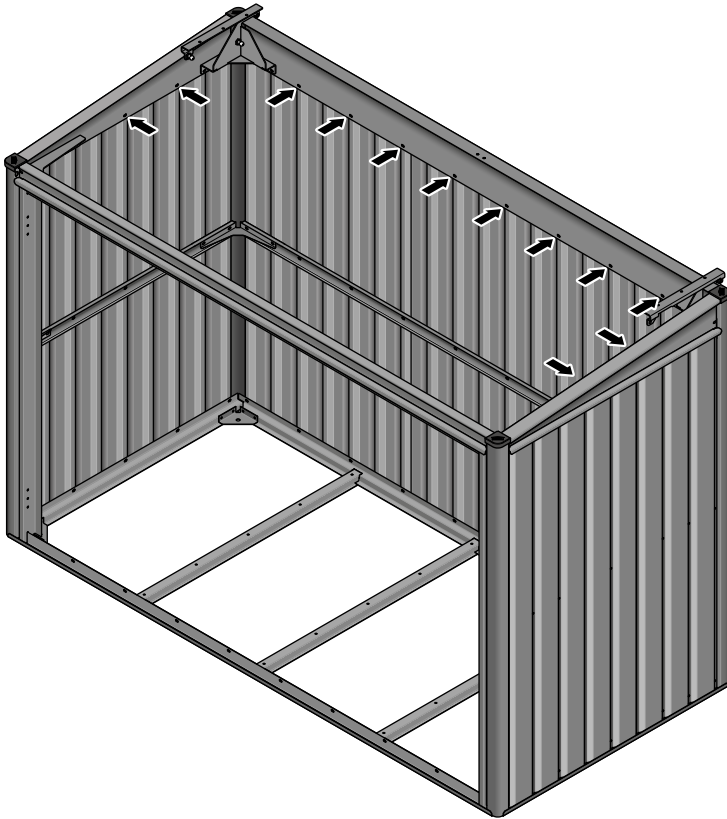
26A LOCATE AND LOOSELY ATTACH HINGE BRACKET ASSEMBLY ON RIGHT-HAND SIDE OF STORAGE UNIT AS SHOWN.



26B LOCATE AND LOOSELY ATTACH HINGE BRACKET ASSEMBLY ON LEFT-HAND SIDE OF STORAGE UNIT AS SHOWN

## ASSEMBLY STAGE 27

LOOSELY ATTACH AT ALL UPPER FIXING POINTS INDICATED.



LOOSELY ATTACH AT x12 UPPER FIXING POINTS INDICATED AS SHOWN ABOVE.



### IMPORTANT

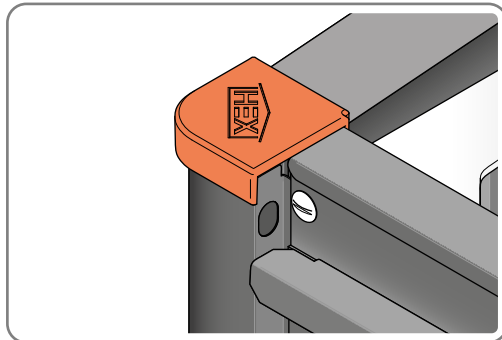
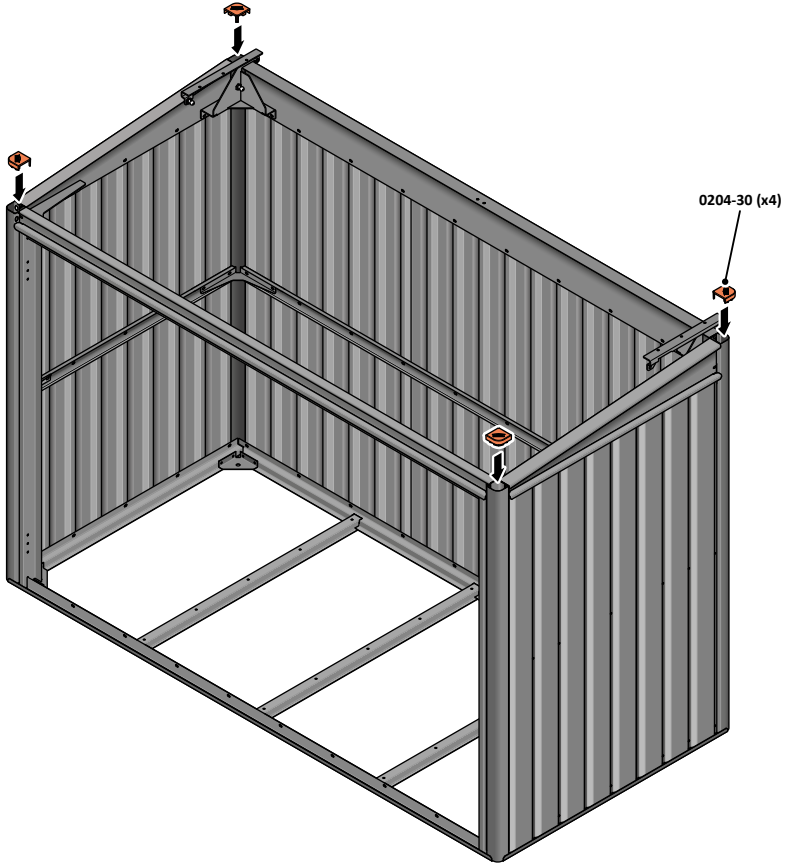
ADJUST ALL COMPONENTS FOR BEST POSSIBLE FIT AND TIGHTEN ALL FASTENERS.

ONCE ALL FASTENERS HAVE BEEN CHECKED AND ARE SECURE PROCEED ONTO STAGE 26.

ONCE UPPER FIXING POINTS ARE ATTACH TIGHTEN ALL FASTENERS.

## ASSEMBLY STAGE 28

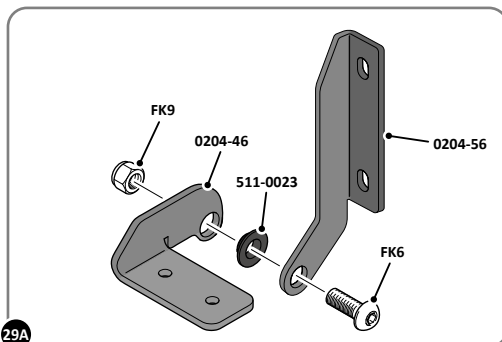
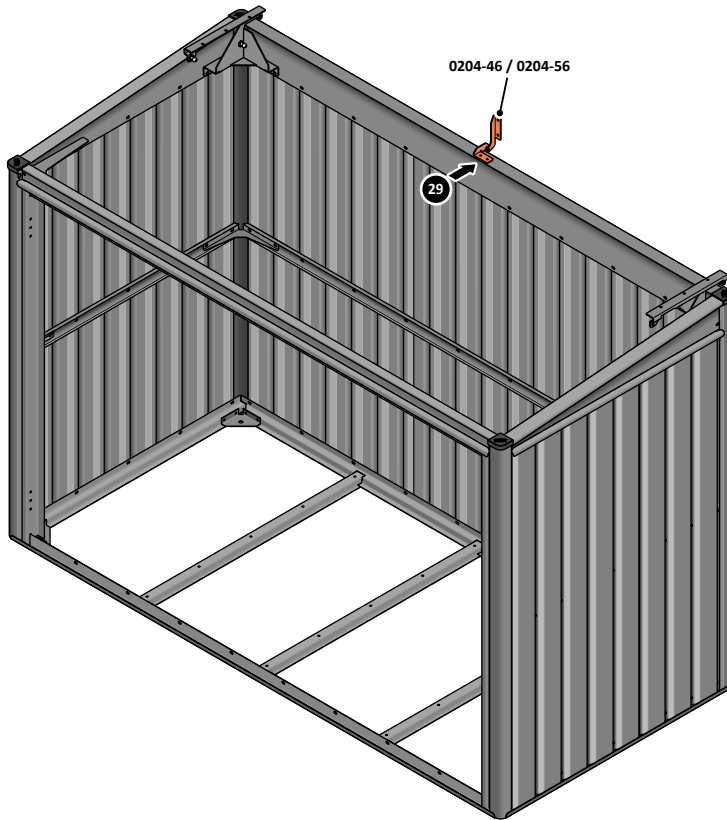
INSERT AN END CAP 0204-30 AT EACH LOCATION INDICATED.



INSERT AN END CAP 0204-30 INTO EACH LOCATION INDICATED AS SHOWN.

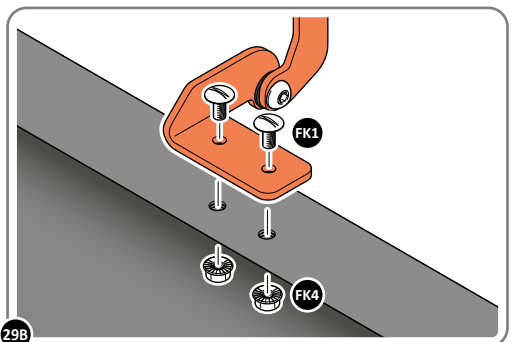
## ASSEMBLY STAGE 29

ASSEMBLE AND SECURE HINGE BRACKET BASE 0204-46 AND HINGE BRACKET PIVOT 0204-56.



29A

ASSEMBLE HINGE BRACKET BASE 0204-46 AND HINGE BRACKET PIVOT 0204-56 AS SHOWN.

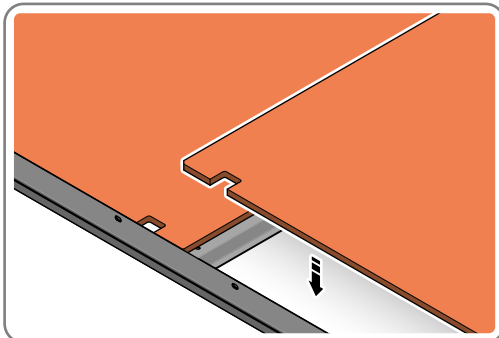
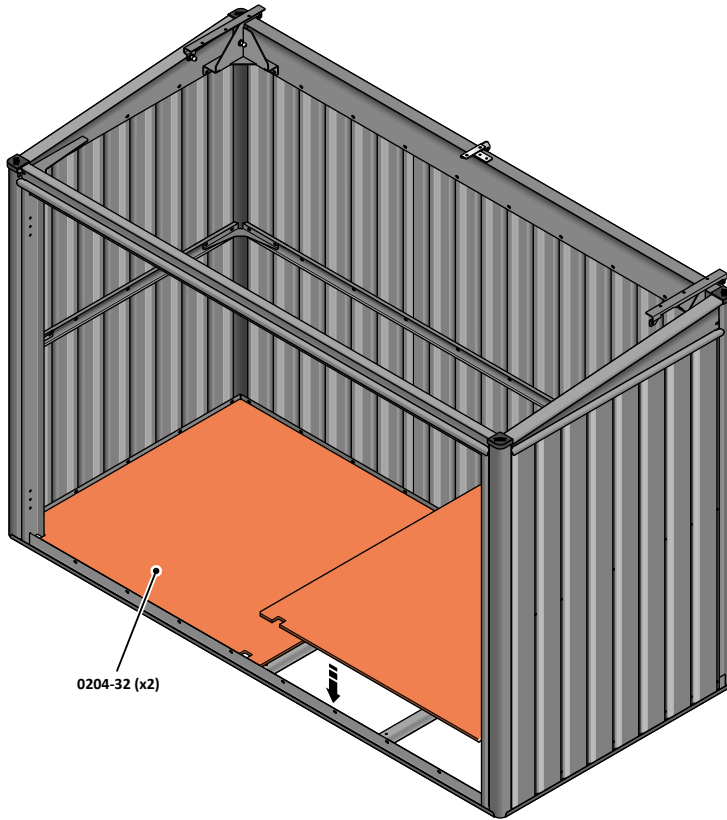


29B

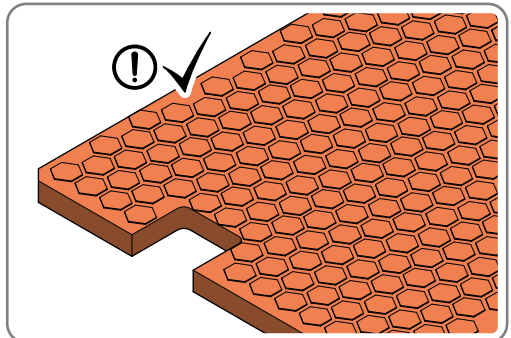
SECURE HINGE BRACKET BASE 0204-46 ONTO STORAGE UNIT AS SHOWN.

## ASSEMBLY STAGE 30

LOCATE EACH FLOOR PANEL 0204-32 AS SHOWN.



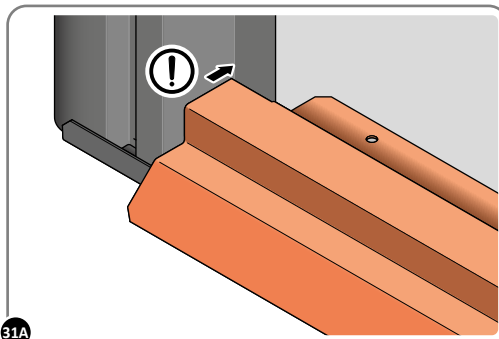
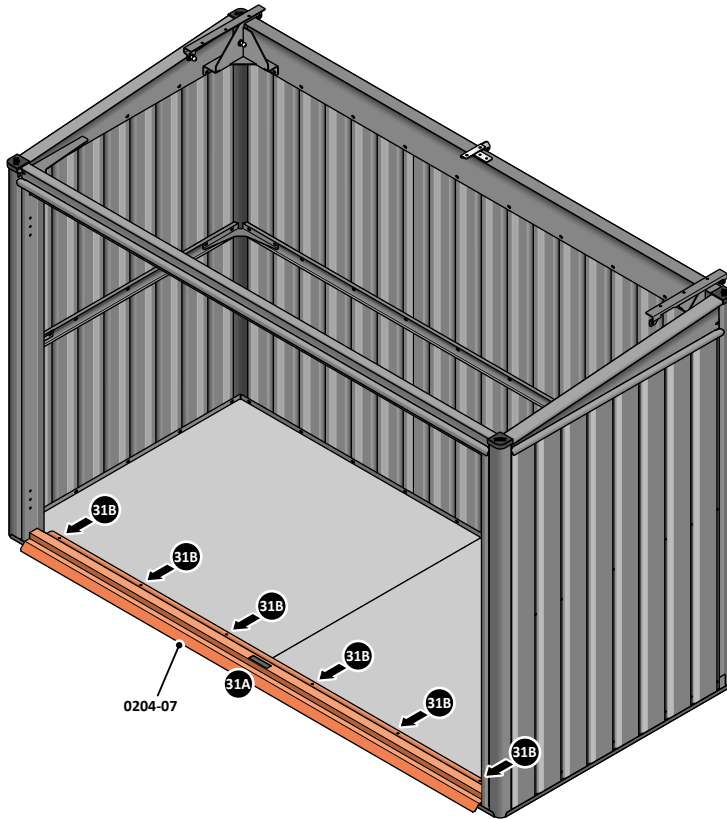
LOCATE EACH FLOOR PANEL 0204-32 INTO BASE OF STORAGE UNIT AS SHOWN.



**IMPORTANT: ENSURE THE HEXAGON PATTERN IS FACE UP.**

## ASSEMBLY STAGE 31

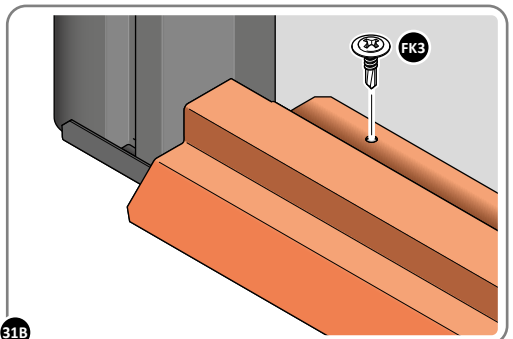
LOCATE AND SECURE DOOR STRIP 0204-07.



31A

LOCATE DOOR STRIP 0204-07 AS SHOWN.

**IMPORTANT: ENSURE DOOR STRIP IS PUSHED AGAINST DOOR POST RETURN.**

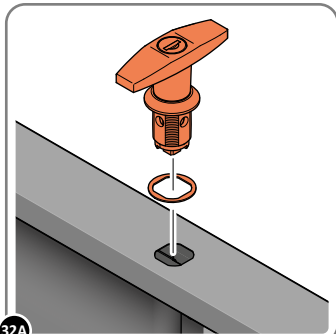
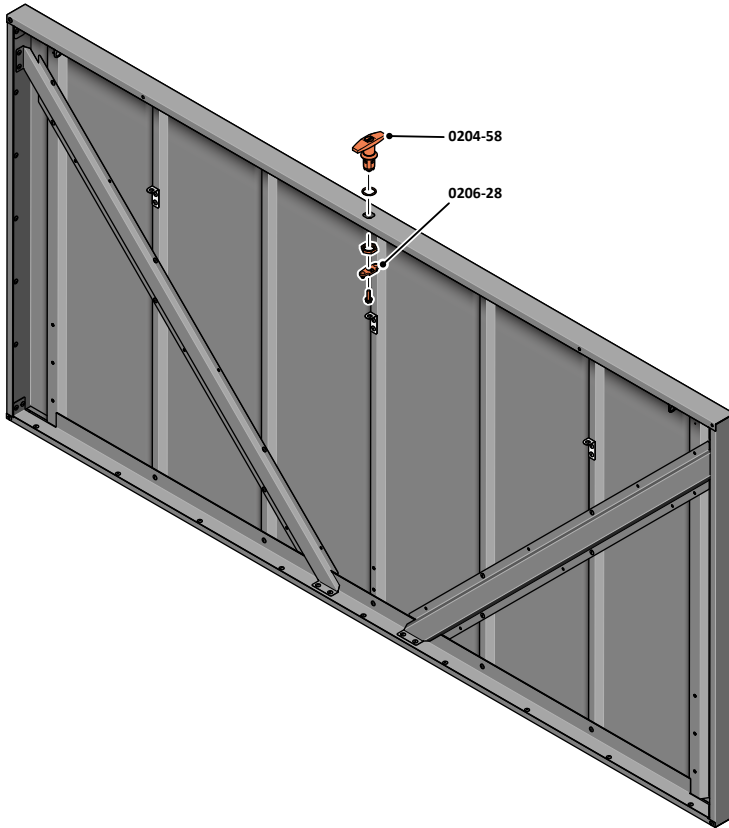


31B

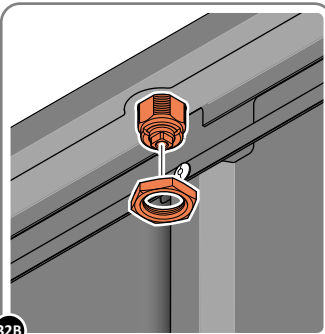
SECURE DOOR STRIP ONTO FLOOR PANELS AT x6 LOCATIONS INDICATED. PLEASE NOTE: THE FIXING USED IS A SELF DRILLING COMPONENT.

## ASSEMBLY STAGE 32

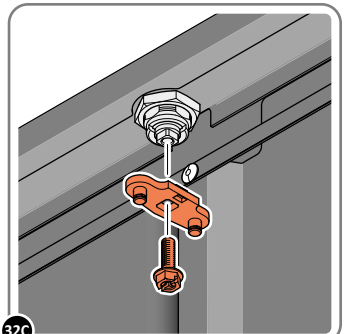
LOCATE AND SECURE T-HANDLE 0204-58.



**32A**  
LOCATE T-HANDLE AND T-HANDLE GASKET 0204-58 INTO LID 0204-17 APERTURE AS SHOWN.



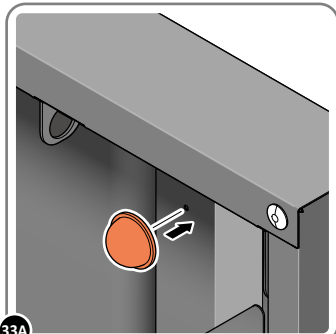
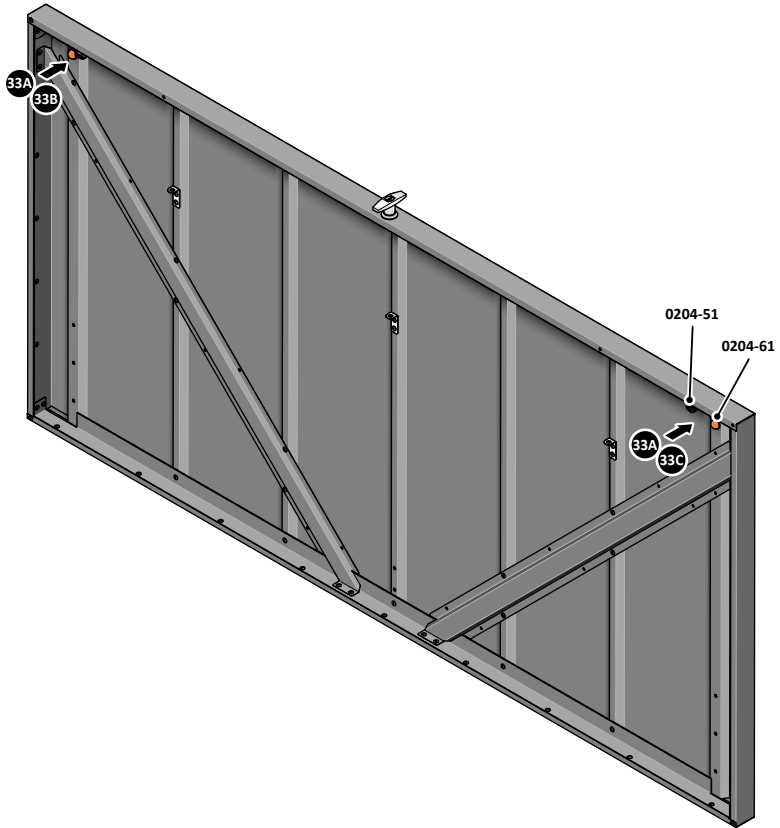
**32B**  
SECURE T-HANDLE USING T-HANDLE ASSEMBLY NUT AS SHOWN.



**32C**  
SECURE 2 POINT CAM 0206-28 ONTO T-HANDLE USING BOLT SHOWN ABOVE FROM T-HANDLE ASSEMBLY.

## ASSEMBLY STAGE 33

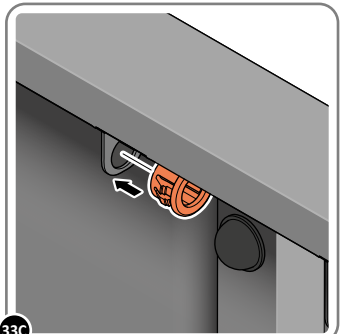
LOCATE A BUMPER STOP 0204-61 AND GUIDE BUSH 0204-51 AT EACH LOCATION INDICATED.



APPLY BUMPER STOP 0204-61 ONTO LID AT LOCATION SHOWN, USE EXISTING HOLE AS A LOCATION GUIDE.



LOCATE GUIDE BUSH 0204-51 INTO LID TAB AS SHOWN.

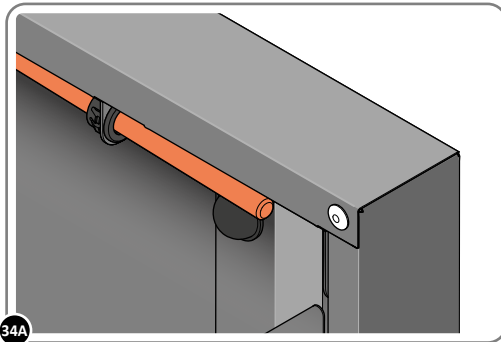
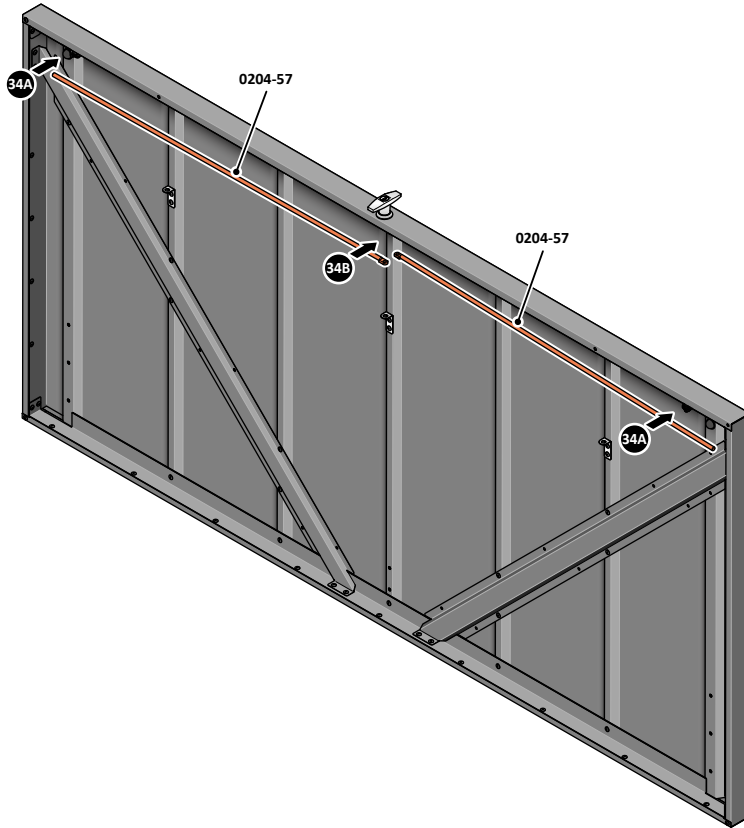


LOCATE GUIDE BUSH 0204-51 INTO LID TAB AS SHOWN.

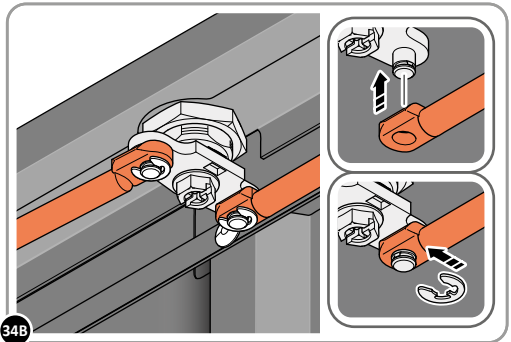


## ASSEMBLY STAGE 34

LOCATE AND SECURE RODS 0204-57 AT EACH LOCATION INDICATED.



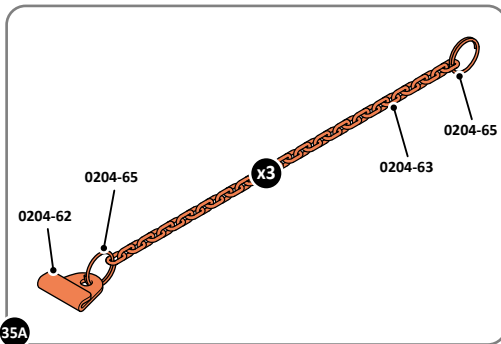
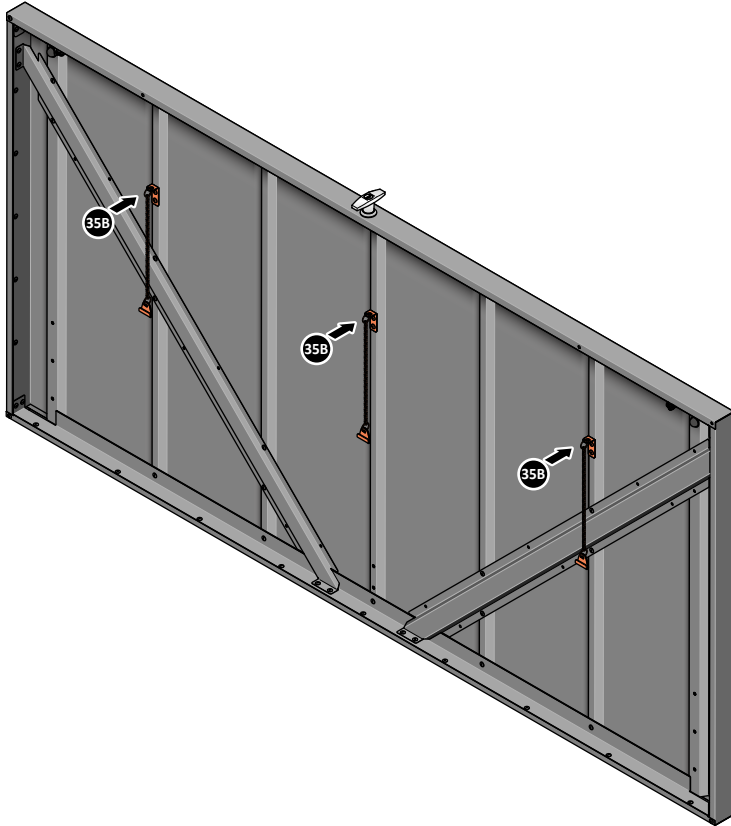
34A SLOT EACH ROD 0204-57 INTO POSITION AS SHOWN ABOVE.



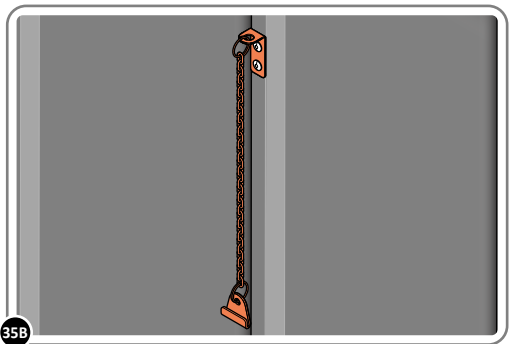
34B SECURE ROD ONTO 2 POINT CAM USING E-CLIPS (PART OF 0206-28 ASSEMBLY).

## ASSEMBLY STAGE 35

ASSEMBLE BIN LID CLIP ASSEMBLIES AND ATTACH ONTO LID AT EACH LOCATION INDICATED.



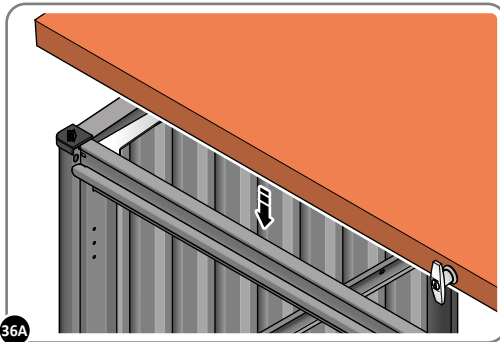
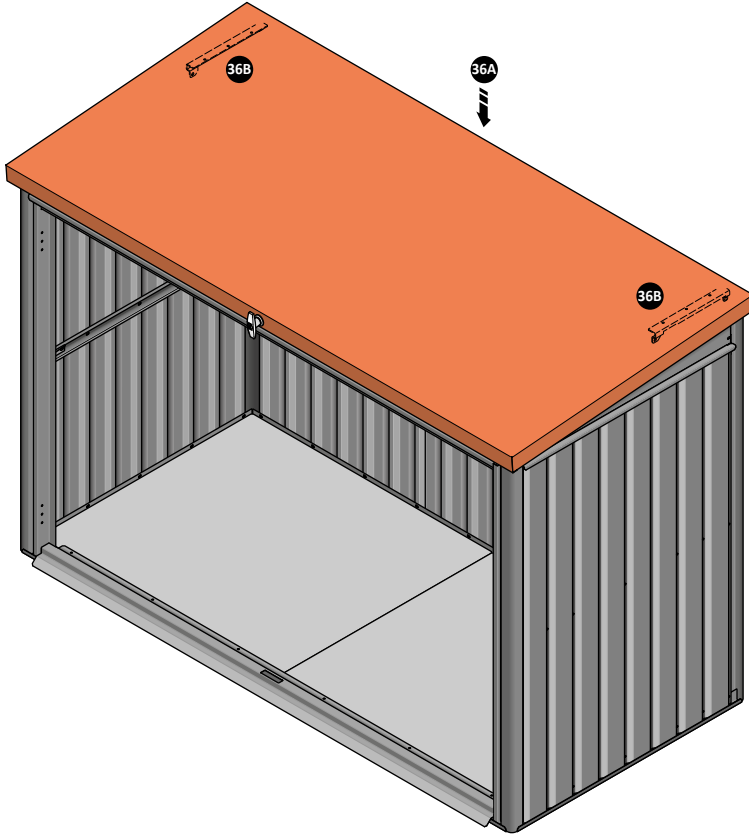
ASSEMBLE x3 BIN LID CLIP ASSEMBLIES AS SHOWN ABOVE.



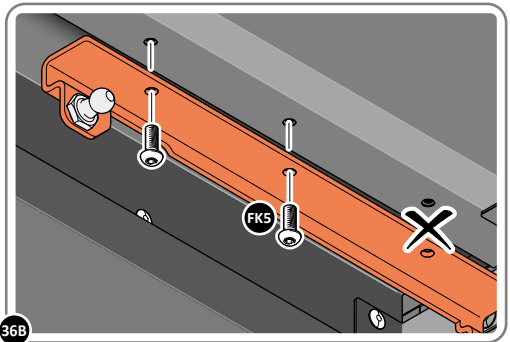
ATTACH BIN LID CLIP ASSEMBLIES ONTO LID AT EACH LOCATION INDICATED.

## ASSEMBLY STAGE 36

LOCATE LID ONTO STORAGE UNIT AND SECURE HINGE BRACKET AT EACH LOCATION INDICATED.



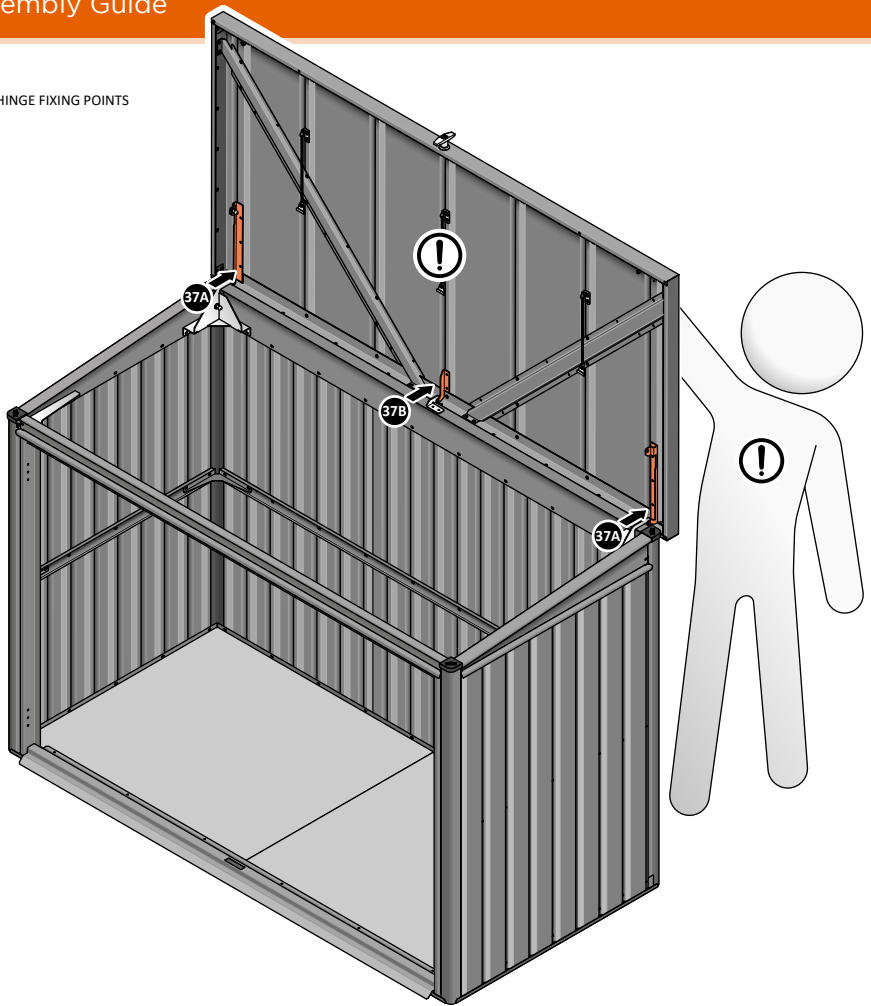
36A LOCATE LID ASSEMBLY ONTO STORAGE UNIT AS SHOWN.



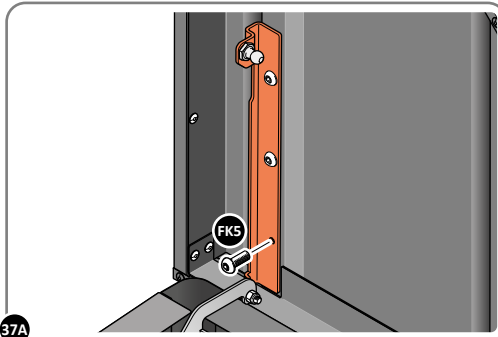
36B SECURE HINGE BRACKET ONTO LID ASSEMBLY, DO THIS WITH THE LID DOWN. IMPORTANT: ONLY ATTACH AT FIXING POINTS INDICATED AT THIS STAGE.

## ASSEMBLY STAGE 37

SECURE LID AT REMAINING HINGE FIXING POINTS

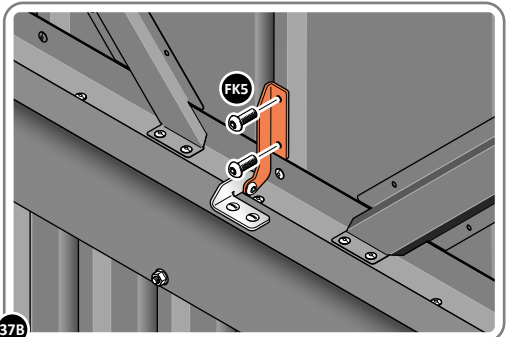


**!** IMPORTANT: ENSURE LID IS SUPPORTED BY ANOTHER PERSON WHILST CARRYING OUT THIS PROCEDURE **!**



37A

SECURE EACH HINGE BRACKET AT REMAINING FIXING AS SHOWN ABOVE.

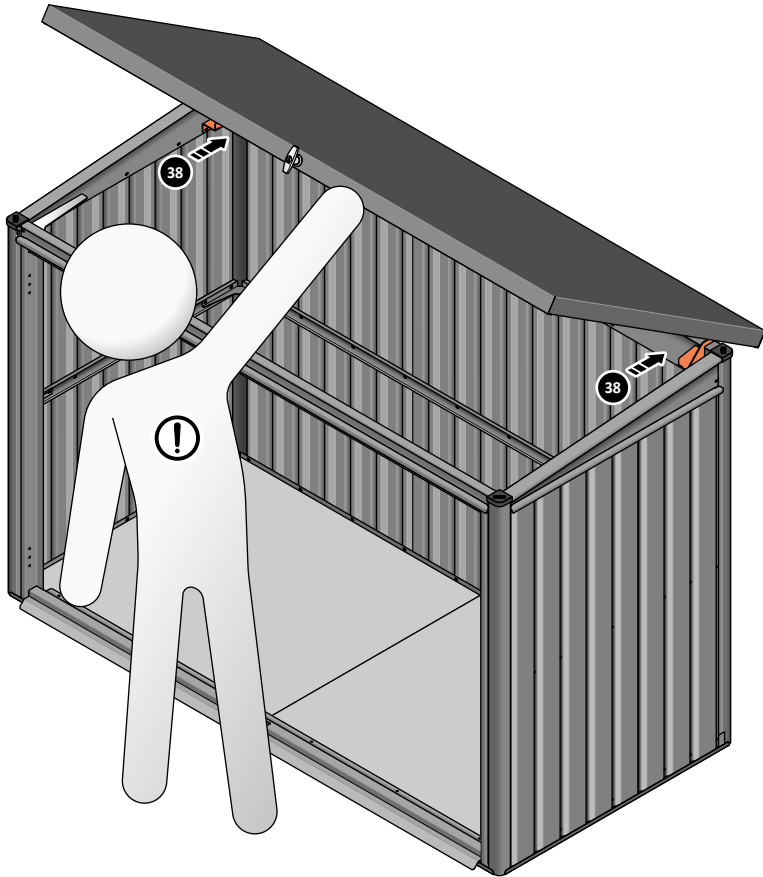


37B

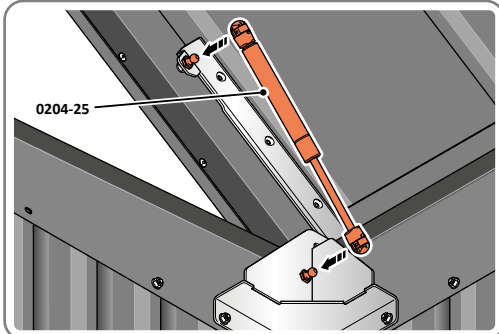
SECURE CENTRE HINGE BRACKET AS SHOWN ABOVE.

## ASSEMBLY STAGE 38

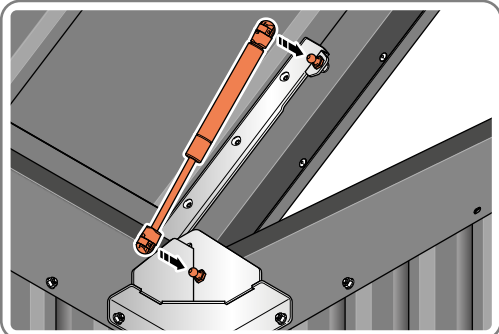
LOCATE AND GAS STRUTS 0204-25 AT EACH LOCATION INDICATED.



**! IMPORTANT: ENSURE LID IS SUPPORTED BY ANOTHER PERSON WHILST CARRYING OUT THIS PROCEDURE !**



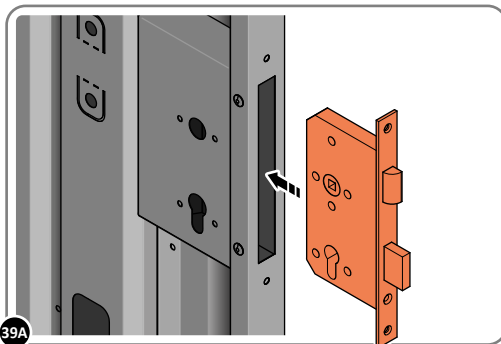
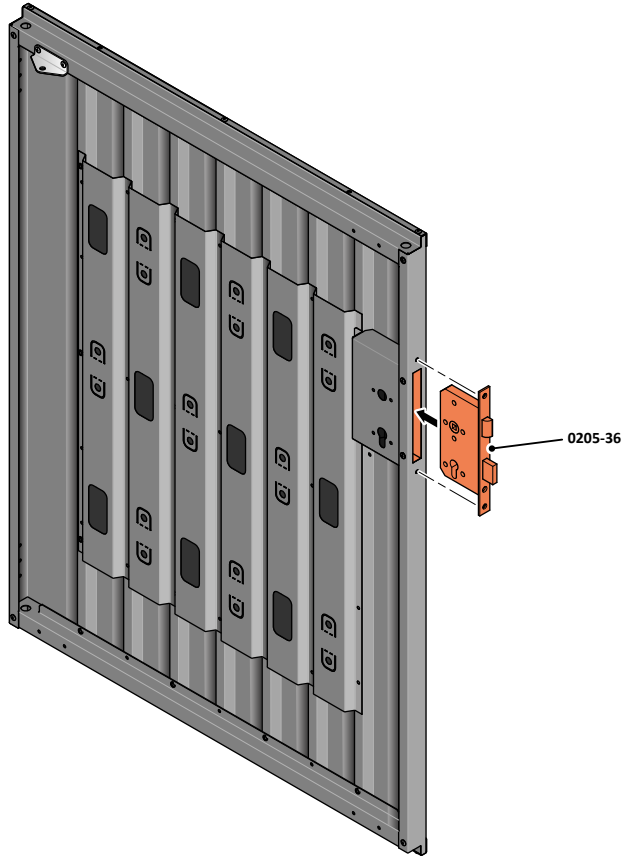
FIX GAS STRUT 0204-25 ONTO BALL STUDS LOCATED ON LEFT-HAND SIDE OF UNIT. **IMPORTANT: ENSURE CORRECT GAS STRUT IS USED, THIS IS THE THICKER ONE.**



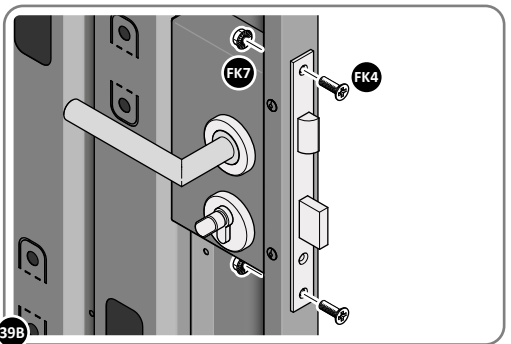
FIX GAS STRUT 0204-25 ONTO BALL STUDS LOCATED ON RIGHT-HAND SIDE OF UNIT. **IMPORTANT: ENSURE CORRECT GAS STRUT IS USED, THIS IS THE THICKER ONE.**

## ASSEMBLY STAGE 39

LOCATE AND SECURE A CORNER BRACE 0204-03 AT EACH LOCATION INDICATED.



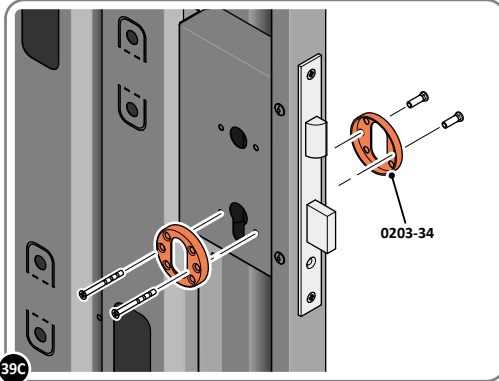
LOCATE EURO MORTICE LOCK 0203-32 RIGHT-HAND DOOR APERTURE AS SHOWN.



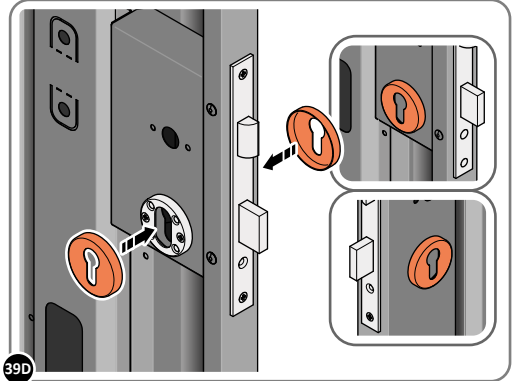
SECURE EURO MORTICE LOCK 0203-32 AT x2 LOCATIONS INDICATED ABOVE.  
SEE FOLLOWING DATA SHEET FOR COMPLETION OF MORTICE LOCK INSTALLATION

## ASSEMBLY STAGE 39 CONTINUED

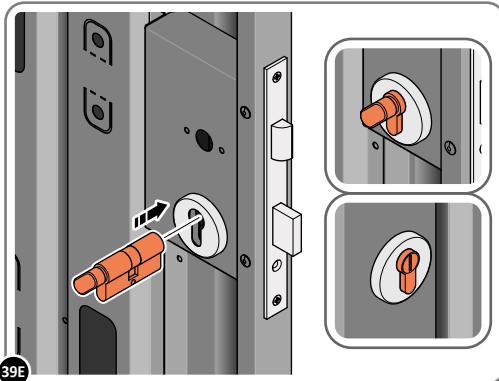
LOCATE AND SECURE A CORNER BRACE 0204-03 AT EACH LOCATION INDICATED.



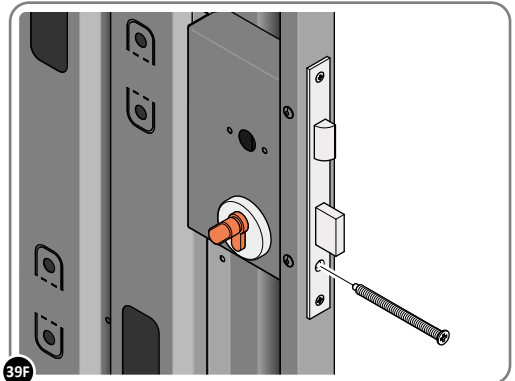
LOCATE AND SECURE EURO ESCUTCHEON 0203-34 AS SHOWN.



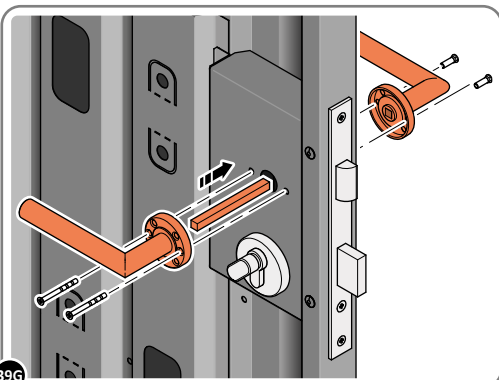
LOCATE EURO ESCUTCHEON COVER 0203-34 ONTO EURO ESCUTCHEON AS SHOWN.  
PLEASE NOTE: THESE ARE PUSHED ON AND WILL CLICK INTO PLACE.



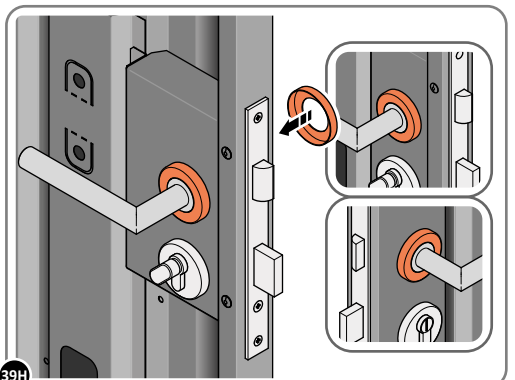
LOCATE EURO CYLINDER 0203-36 INTO DOOR APERTURE.  
IMPORTANT: ENSURE COVER IS FITTED AS SHOWN.



SECURE EURO CYLINDER 0203-36 AS SHOWN ABOVE.  
PLEASE NOTE: FIXING IS PART OF THE EURO MORTICE LOCK ASSEMBLY.



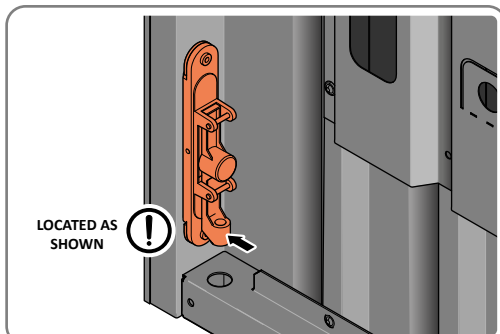
LOCATE AND SECURE DOOR HANDLE ASSEMBLY 0203-33 AS SHOWN.



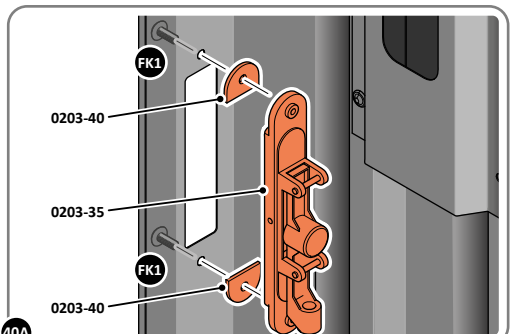
LOCATE COVER ONTO DOOR HANDLE AS SHOWN.  
PLEASE NOTE: THESE ARE PUSHED ON AND WILL CLICK INTO PLACE.

## ASSEMBLY STAGE 40

LOCATE AND SECURE A CORNER BRACE 0204-03 AT EACH LOCATION INDICATED.



ENSURE THE PLUNGER INDICATED IS FACING THE BOTTOM OF THE DOOR, LOCATE AS SHOWN ABOVE AND SECURE USING ADJACENT FIXING METHOD.

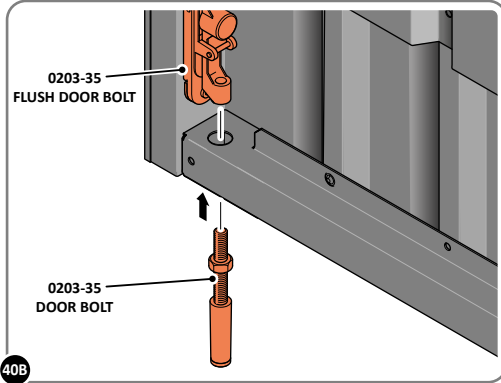


SECURE EACH FLUSH DOOR BOLT ENSURING PLATE PACKER 0203-40 IS LOCATED AS SHOWN ABOVE.

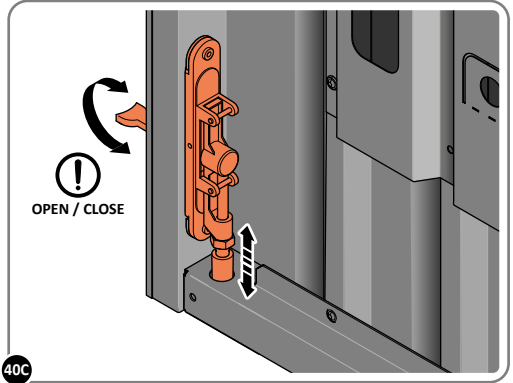


## ASSEMBLY STAGE 40 CONTINUED

LOCATE AND SECURE A CORNER BRACE 0204-03 AT EACH LOCATION INDICATED.



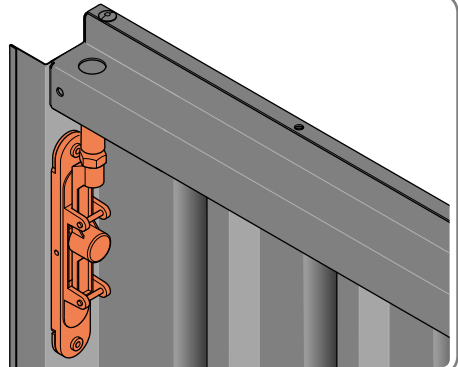
40B ATTACH DOOR BOLT ONTO FLUSH DOOR BOLT.



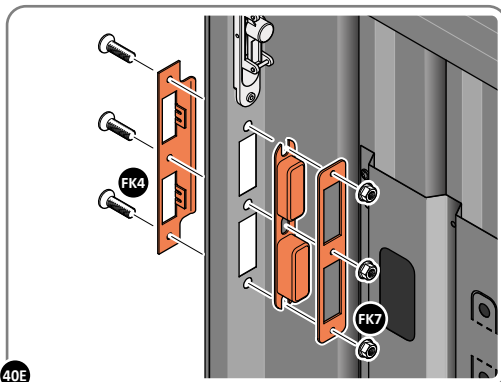
40C ENSURE FLUSH DOOR BOLT OPENS AND CLOSES.

### REPEAT 40A / B / C FOR UPPER FLUSH DOOR BOLT

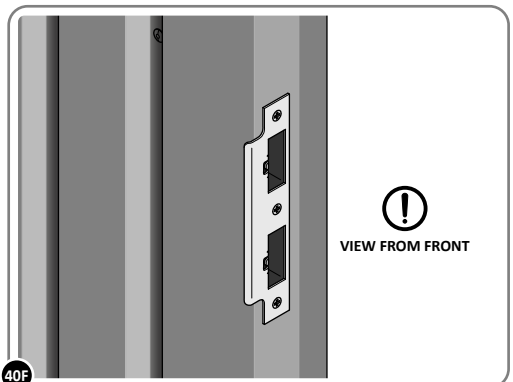
LOCATE AND SECURE UPPER FLUSH DOOR BOLT 0203-35  
USING PROCEDURES 40A / B / C, PLUNGER WILL FACE  
UPWARDS TOWARDS THE TOP OF THE DOOR



40D



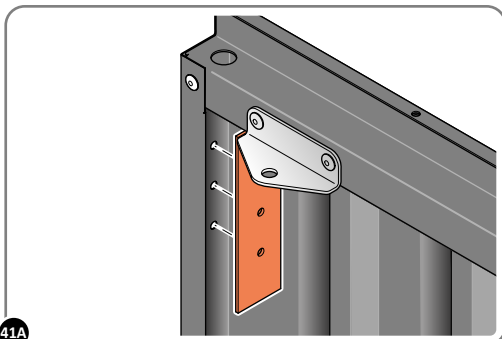
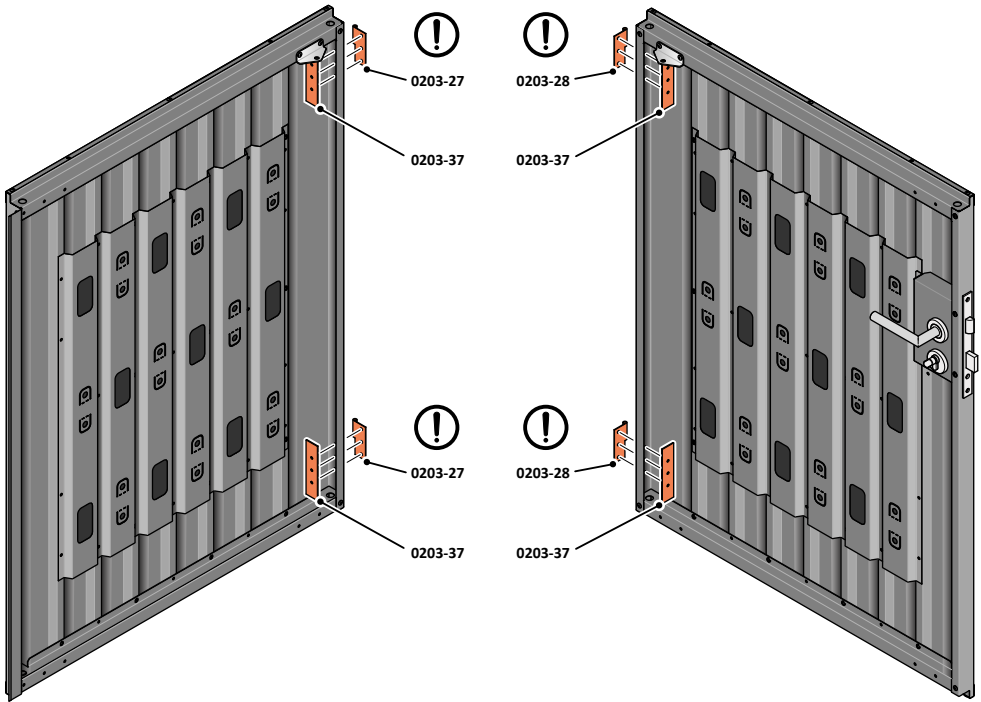
40E LOCATE AND SECURE EURO MORTICE LOCK 0203-32 AND CATCH PLATE COVER 0203-41 AS SHOWN ABOVE.



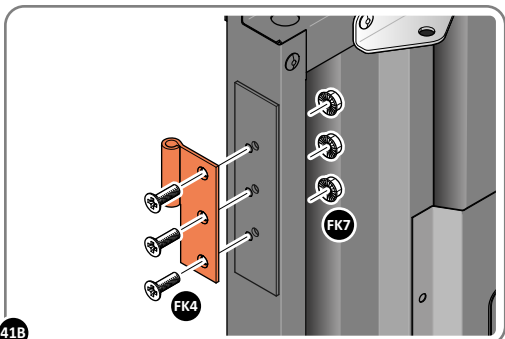
40F SECURED EURO MORTICE LOCK 0203-32 AS SEEN FROM FRONT.

## ASSEMBLY STAGE 41

LOCATE AND SECURE A CORNER BRACE 0204-03 AT EACH LOCATION INDICATED.



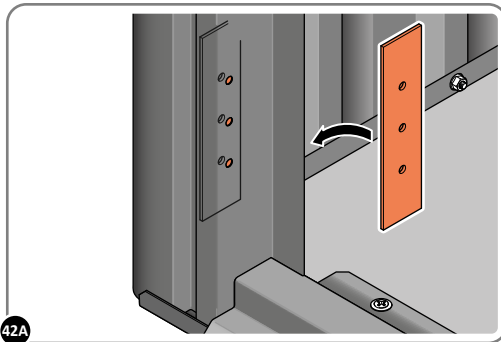
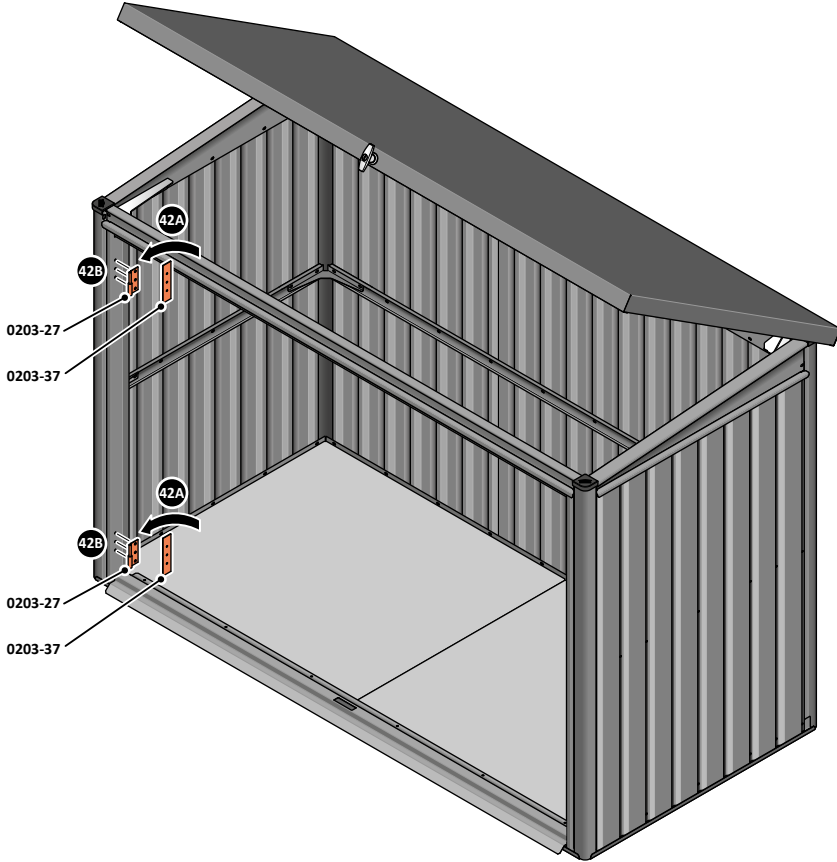
**41A** LOCATE DOOR HINGE PLATE 0203-37 WITHIN DOOR AS SHOWN.



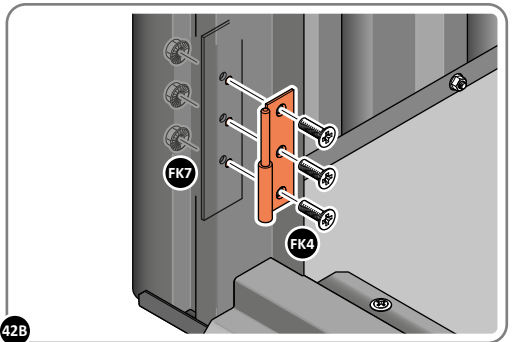
**41B** SECURE DOOR HINGE PLATE AND HINGE 0203-27 AND 0203-28 AS SHOWN. **IMPORTANT: ENSURE CORRECT DOOR HINGE IS SECURED TO CORRECT DOOR.**

## ASSEMBLY STAGE 42

LOCATE AND SECURE DOOR HINGE PLATE 0203-37 AND LEFT-HAND HINGE 0203-27 AT EACH LOCATION INDICATE.



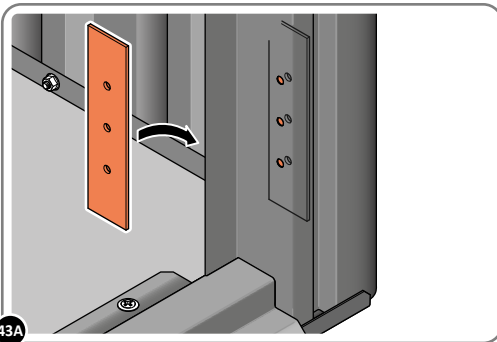
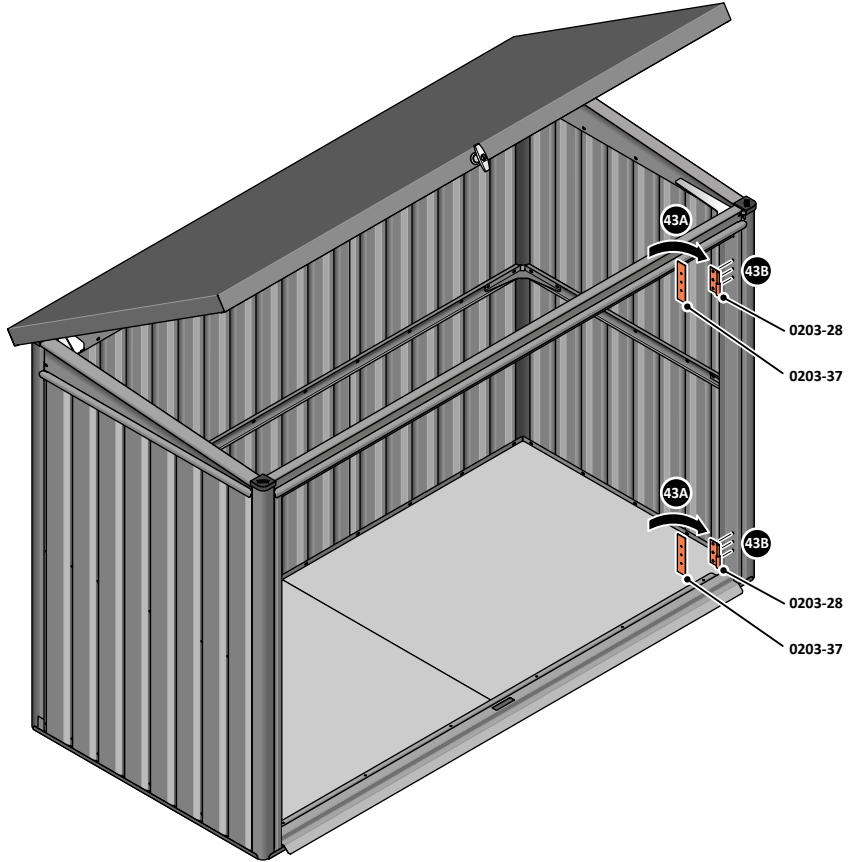
42A LOCATE DOOR HINGE PLATE 0203-37 WITHIN DOOR AS SHOWN.



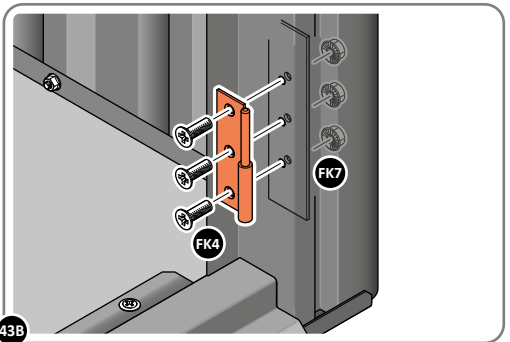
42B SECURE DOOR HINGE PLATE 0203-37 AND LEFT-HAND HINGE 0203-27 AS SHOWN. IMPORTANT: ENSURE CORRECT DOOR HINGE IS SECURED TO CORRECT DOOR.

## ASSEMBLY STAGE 43

LOCATE AND SECURE DOOR HINGE PLATE 0203-37 AND RIGHT-HAND HINGE 0203-28 AT EACH LOCATION INDICATE.



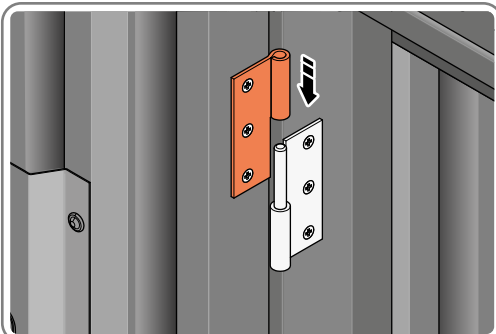
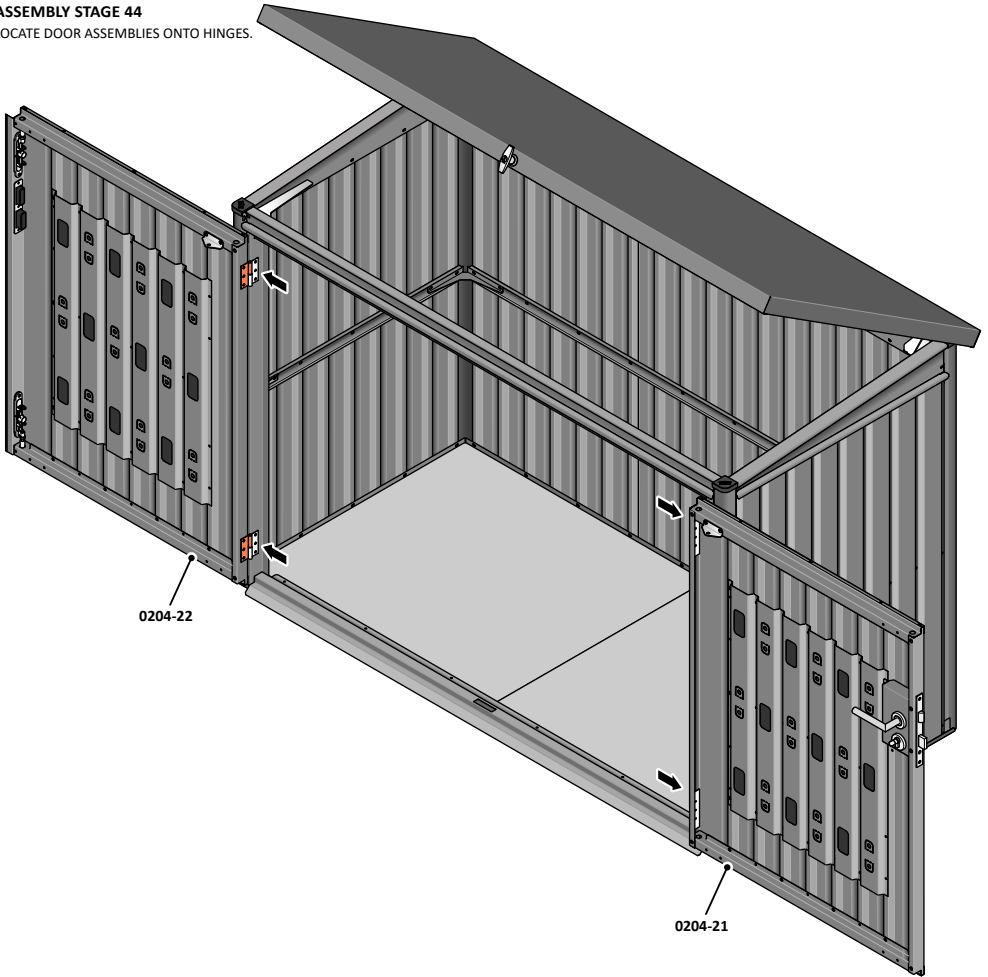
43A LOCATE DOOR HINGE PLATE 0203-37 WITHIN DOOR AS SHOWN.



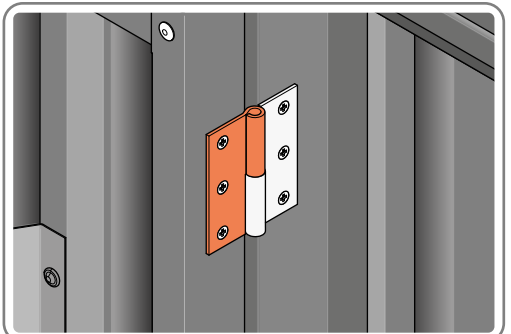
43B SECURE DOOR HINGE PLATE 0203-37 AND RIGHT-HAND HINGE 0203-28 AS SHOWN. IMPORTANT: ENSURE CORRECT DOOR HINGE IS SECURED TO CORRECT DOOR.

## ASSEMBLY STAGE 44

LOCATE DOOR ASSEMBLIES ONTO HINGES.



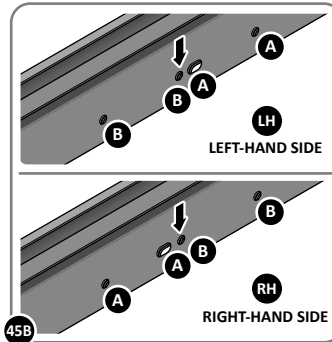
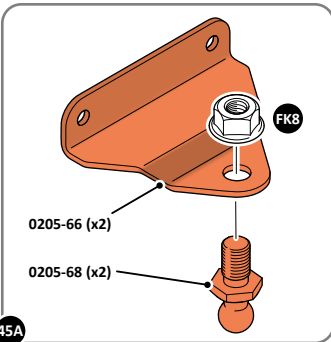
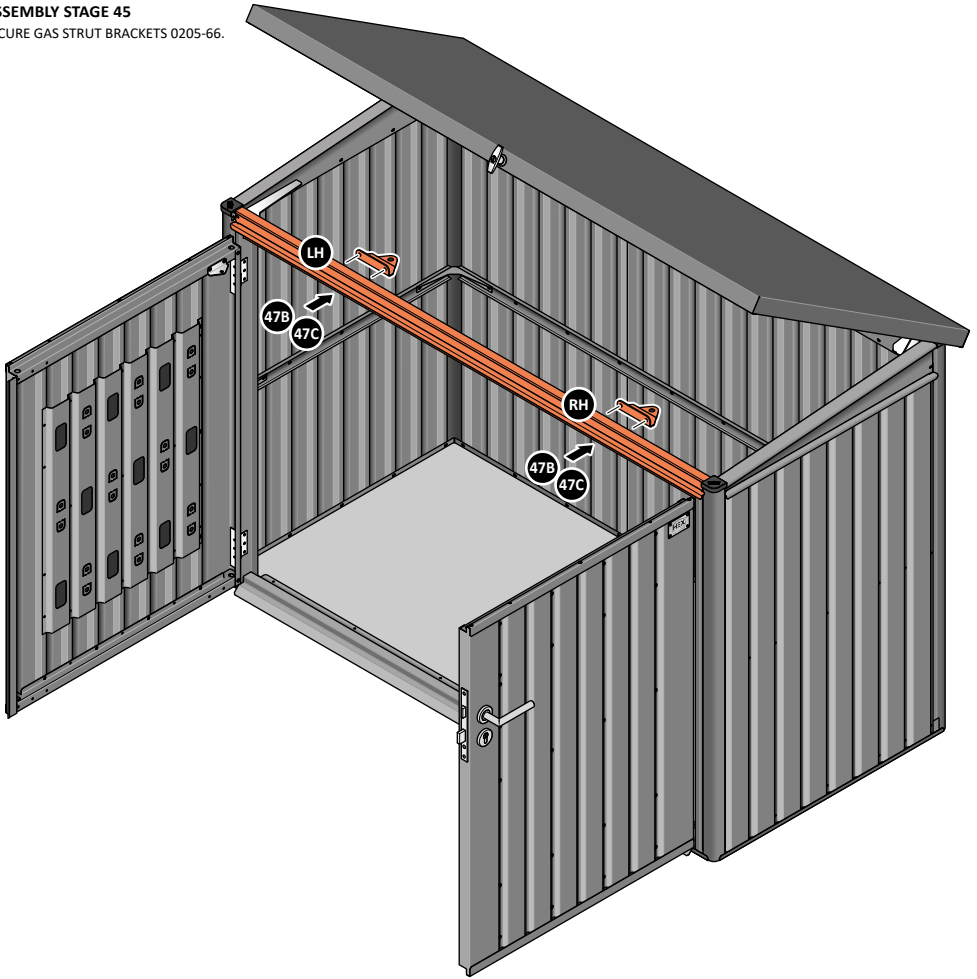
SLIDE EACH DOOR ASSEMBLY ONTO EACH OF THEIR RESPECTIVE HINGES.



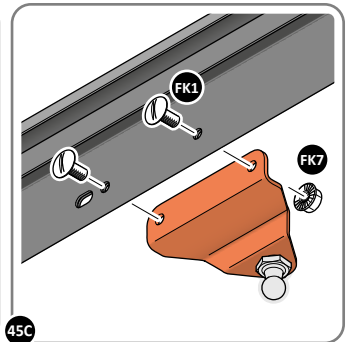
ASSEMBLED DOOR HINGE.

## ASSEMBLY STAGE 45

SECURE GAS STRUT BRACKETS 0205-66.



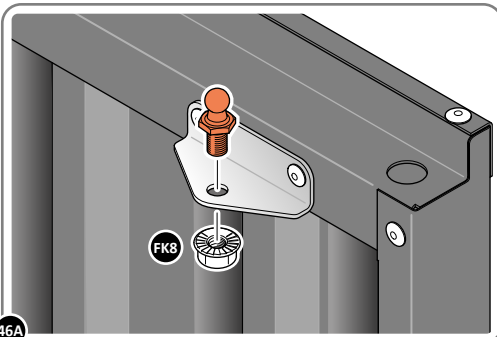
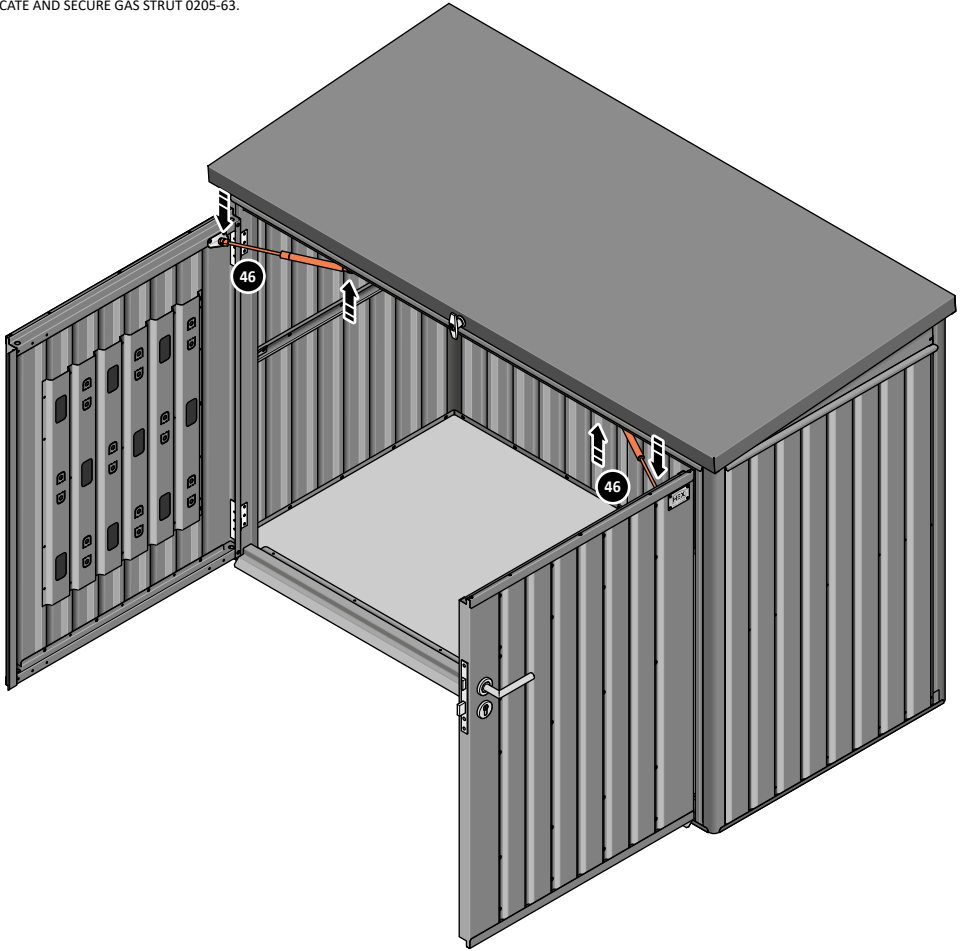
DETERMINE DOOR OPENING ANGLE:  
**A: 90° OPENING OR B: 120° OPENING**



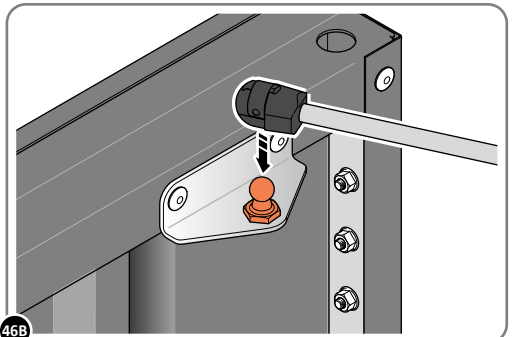
ALIGN EACH GAS STRUT BRACKET WITH RELEVANT FIXING HOLES, SECURE USING TYPICAL FIXING METHOD ABOVE.

## ASSEMBLY STAGE 46

LOCATE AND SECURE GAS STRUT 0205-63.



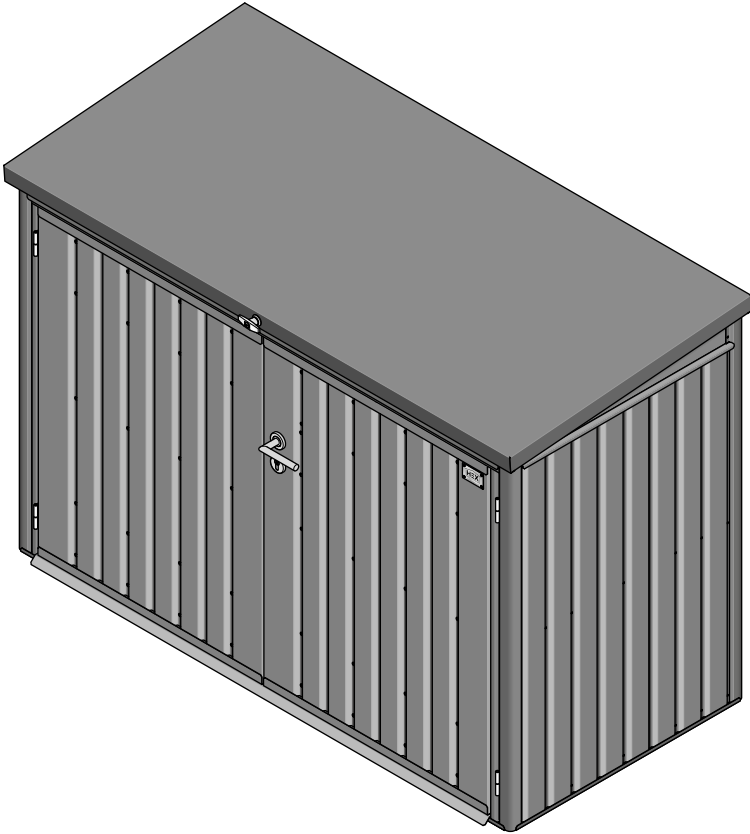
**46A** SECURE A BALL STUD 0205-68 ONTO GAS STRUT BRACKETS THAT ARE PRE-RIVETED ONTO EACH DOOR ASSEMBLY.



**46B** FIX EACH GAS STRUT 0205-63 ONTO BALL STUDS INDICATED ABOVE.  
**PLEASE NOTE: PUSHES DOWN ON DOOR AND UPWARDS ON DOOR FRAME.**

## ASSEMBLY STAGE 47

TEST ALL LOCKS / HANDLES AND TIGHTEN ALL FASTENERS TO COMPLETE ASSEMBLY



### **IMPORTANT**

**ADJUST ALL COMPONENTS FOR BEST POSSIBLE  
FIT AND TIGHTEN ALL FASTENERS.**

**ONCE ALL FASTENERS HAVE BEEN CHECKED AND ARE  
SECURE THE ASSEMBLY IS COMPLETE.**

**WE RECOMMEND YOU ANCHOR YOUR UNIT TO A SOLID  
CONCRETE BASE, GUIDANCE CAN BE FOUND ON PAGE '1'**



NOTES

.....

.....

.....

.....

.....

.....

.....

.....

.....

.....

.....

.....

.....

.....

.....

.....

.....

.....

.....

.....

.....

.....

.....

.....

.....

.....

.....

.....

.....

.....

.....



**NOTES**

.....

.....

.....

.....

.....

.....

.....

.....

.....

.....

.....

.....

.....

.....

.....

.....

.....

.....

.....

.....

.....

.....

NOTES

A series of horizontal dashed lines for taking notes.

## Caring for your HEX Living product

Your HEX Living product is designed to stand the test of time, which is why we're happy to offer a lifetime warranty on our products. With zero maintenance required, simply assemble your HEX Living product, and enjoy putting it to great use in your garden.

Periodically, you might want to give your product a clean, these simple care tips are not essential to the performance of your product:

- Remove surface dirt with plain water using a jet wash or sponge, the coating on our products will ensure dirt or mud simply wipes away.
- If you've purchased a HEX Living metal storage solution, periodically clear the roof of fallen leaves.
- If your product has guttering, remove leaves and garden debris as you would on your home.

## Ensure you have registered your HEX Living product

Using the unique serial number found on the cover of this document, please visit [www.hexliving.co.uk](http://www.hexliving.co.uk) to register your product and access the HEX Living lifetime warranty and video instructions.

