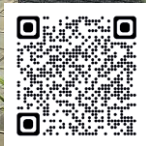


Weston

Vertical Metal Storage Shed Assembly Guide



IMPORTANT: PLEASE REGISTER YOUR HEX LIVING PRODUCT BEFORE ASSEMBLY

Using the unique serial number, simply register your product at www.hexliving.co.uk or use the QR code above to access the HEX Living lifetime warranty and online support.

Affix Serial Number
HERE



PLEASE READ THIS DOCUMENT FULLY PRIOR TO STARTING ASSEMBLY PROCEDURE

The objective of this instruction is to illustrate the recommended assembly sequence for this product, any deviation from this will be the sole responsibility of whoever carries out the assembly.

IMPORTANT: IT IS ADVISABLE THAT THE PRODUCT IS ASSEMBLED AT, OR AS CLOSE AS POSSIBLE TO WHERE IT WILL BE FINALLY LOCATED

Ensure there is adequate clearance where the product is to be located:

Exterior dimensions including overhang (W x D x H)	1450 x 850 x 1850mm
Footprint dimensions (W x D)	1400 x 800mm
Clearance required for door to open (W x H)	Doors open outwards 1250 x 1670mm

TWO PERSON ASSEMBLY

Most procedures will not require two people but it may be easier to have assistance.



PERSONAL PROTECTION EQUIPMENT

We advise appropriate personal protective equipment is worn during assembly including eye protection and gloves.



CARING FOR YOUR HEX LIVING PRODUCT

Your **HEX Living** product is designed to stand the test of time, which is why we're happy to offer a lifetime warranty on our products. With zero maintenance required, simply assemble your HEX Living product and enjoy putting it to great use in your garden.

Periodically, you might want to give your product a clean, these simple care tips are not essential to the performance of your product:

- Remove surface dirt with plain water using a jet wash or sponge, the coating on our products will ensure dirt or mud simply wipes away.
- Periodically clear the lid of fallen leaves.
- If your product has guttering, remove leaves and garden debris as you would on your home.

PRODUCT REGISTRATION

IMPORTANT: Prior to assembly, please ensure you have registered your HEX Living product using the unique serial number found on the cover of this document, please visit www.hexliving.co.uk to register your product and access the HEX Living lifetime warranty and video instructions.

GROUND ANCHOR KIT

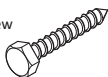
A Ground Anchor Kit is supplied, this is to secure the product to a solid concrete base, the shed has x4 clamp plates in each corner.

WE STRONGLY ADVISE THAT THE SHED IS ANCHORED USING THIS KIT

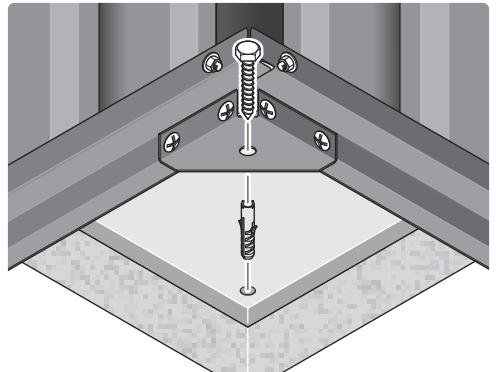
The diagram illustrates the typical fixing method, once the shed is assembled, access the clamp brackets by removing the appropriate floor panel and secure as required.

GROUND ANCHOR KIT

Part Ref: FK8
M8 x 50mm Coach Screw
Qty: x4



Part Ref: FK7
Expansion Plug
Qty: x4

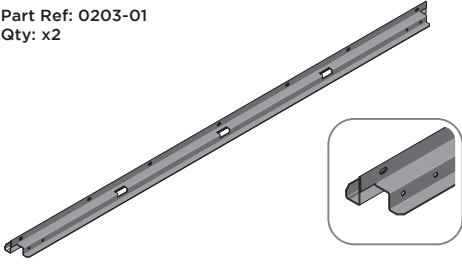


Assembly Guide

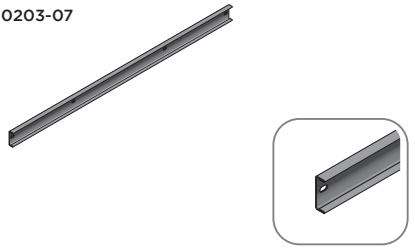
ENSURE ALL ITEMS LISTED ARE PRESENT PRIOR TO STARTING ASSEMBLY PROCEDURE

SCALE OF ITEMS WILL VARY TO AID VISUAL IDENTIFICATION

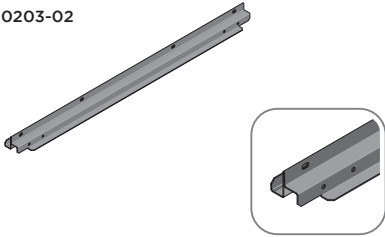
Part Ref: 0203-01
Qty: x2



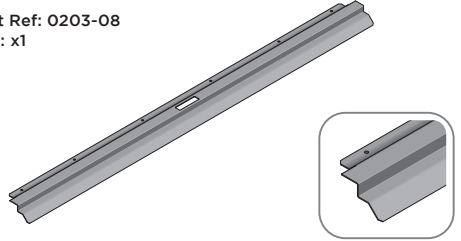
Part Ref: 0203-07
Qty: x2



Part Ref: 0203-02
Qty: x2



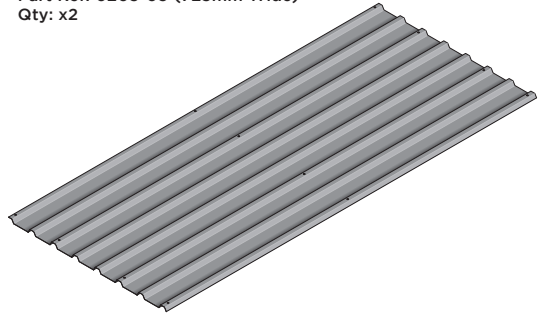
Part Ref: 0203-08
Qty: x1



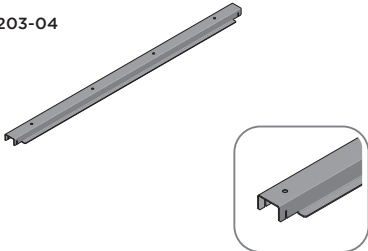
Part Ref: 0203-03
Qty: x4



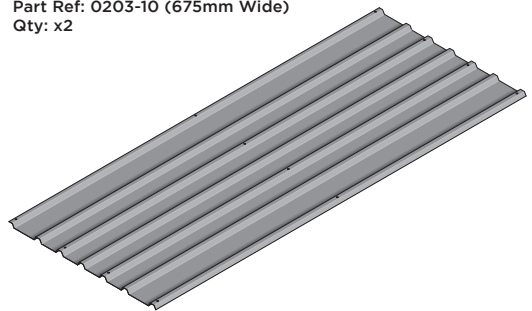
Part Ref: 0203-09 (725mm Wide)
Qty: x2



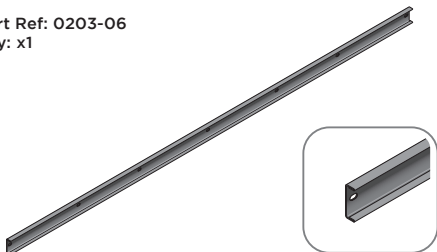
Part Ref: 0203-04
Qty: x3



Part Ref: 0203-10 (675mm Wide)
Qty: x2



Part Ref: 0203-06
Qty: x1

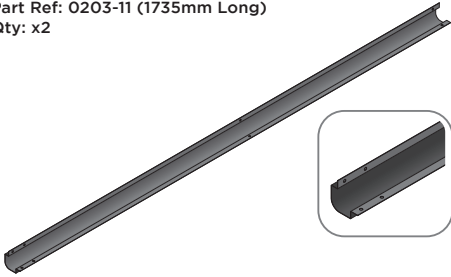


Assembly Guide

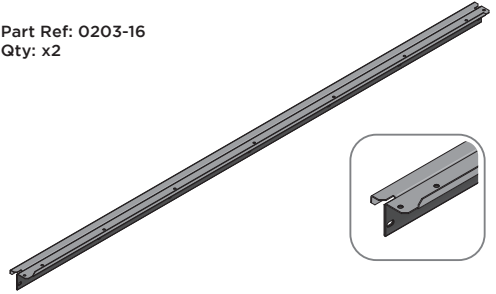
ENSURE ALL ITEMS LISTED ARE PRESENT PRIOR TO STARTING ASSEMBLY PROCEDURE

SCALE OF ITEMS WILL VARY TO AID VISUAL IDENTIFICATION

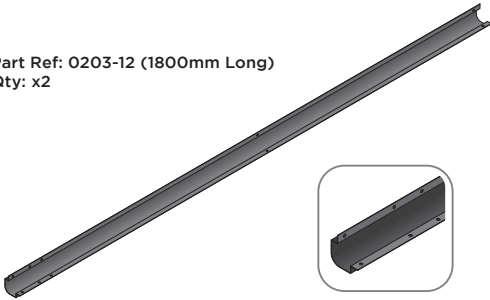
Part Ref: 0203-11 (1735mm Long)
Qty: x2



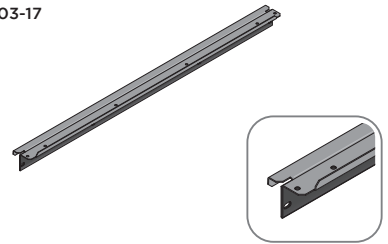
Part Ref: 0203-16
Qty: x2



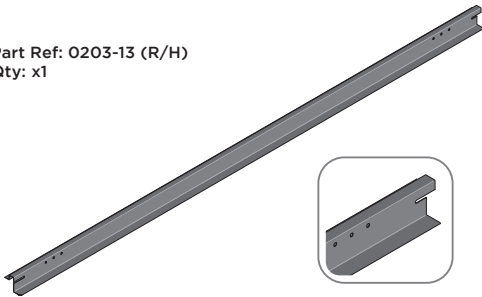
Part Ref: 0203-12 (1800mm Long)
Qty: x2



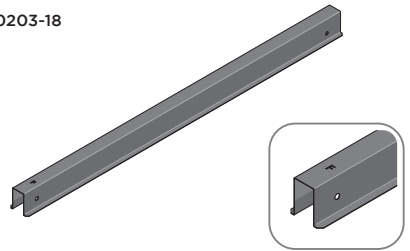
Part Ref: 0203-17
Qty: x2



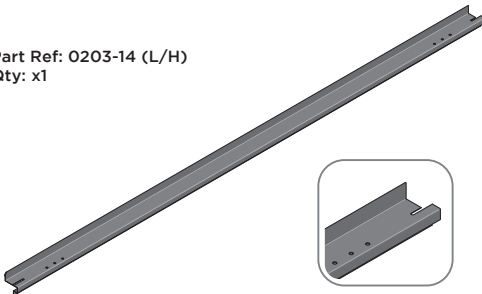
Part Ref: 0203-13 (R/H)
Qty: x1



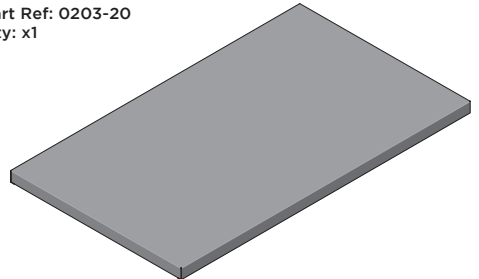
Part Ref: 0203-18
Qty: x3



Part Ref: 0203-14 (L/H)
Qty: x1



Part Ref: 0203-20
Qty: x1

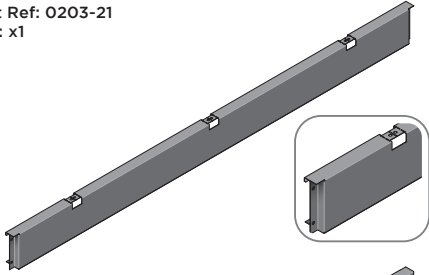


Assembly Guide

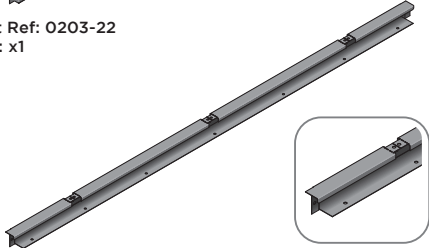
ENSURE ALL ITEMS LISTED ARE PRESENT PRIOR TO STARTING ASSEMBLY PROCEDURE

SCALE OF ITEMS WILL VARY TO AID VISUAL IDENTIFICATION

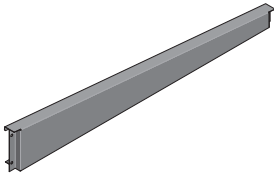
Part Ref: 0203-21
Qty: x1



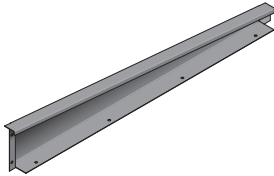
Part Ref: 0203-22
Qty: x1



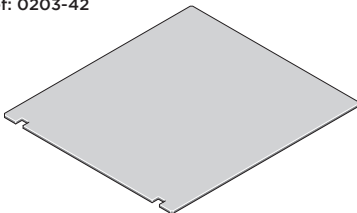
Part Ref: 0203-23 (R/H)
Qty: x1



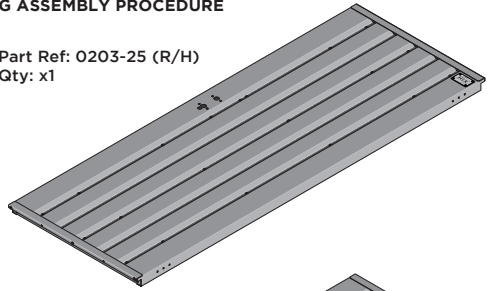
Part Ref: 0203-24 (L/H)
Qty: x1



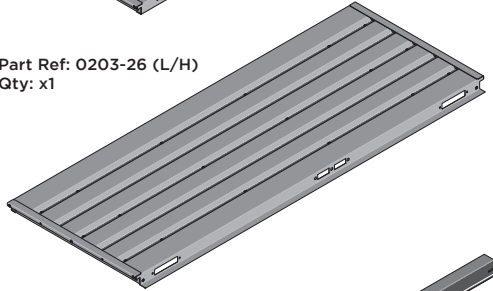
Part Ref: 0203-42
Qty: x2



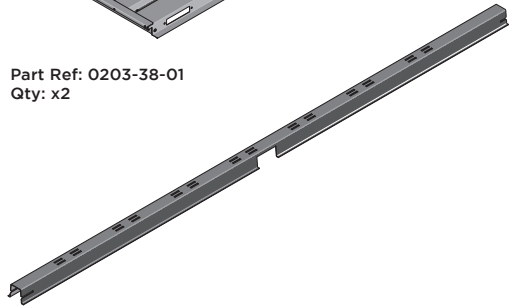
Part Ref: 0203-25 (R/H)
Qty: x1



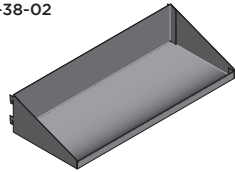
Part Ref: 0203-26 (L/H)
Qty: x1



Part Ref: 0203-38-01
Qty: x2



Part Ref: 0203-38-02
Qty: x2



Part Ref: 0205-39
Qty: x2

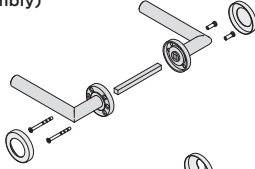


Assembly Guide

ENSURE ALL ITEMS LISTED ARE PRESENT PRIOR TO STARTING ASSEMBLY PROCEDURE

SCALE OF ITEMS WILL VARY TO AID VISUAL IDENTIFICATION

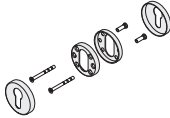
Part Ref: 0203-33 (Assembly)
Qty: x1



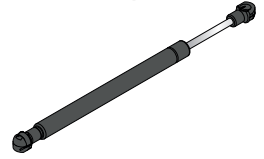
Part Ref: 0203-15
Qty: x4



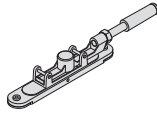
Part Ref: 0203-34 (Assembly)
Qty: x1



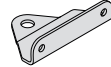
Part Ref: 0205-63
Qty: x2



Part Ref: 0203-35
Qty: x2



Part Ref: 0205-66
Qty: x2



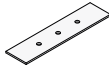
Part Ref: 0203-36
Qty: x1



Part Ref: 0205-68
Qty: x4



Part Ref: 0203-37
Qty: x4



Part Ref: 0203-57
Qty: x4



FIXING KIT: 0203-49

Part Ref: 0203-28 (L/H Assembly)
Qty: x2



Part Ref: FK1
M4 x 10mm Roofing Bolt
This will be Pozi or Slotted
Qty: x127



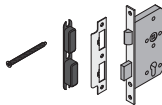
Part Ref: 0203-27 (R/H Assembly)
Qty: x2



Part Ref: FK2
No.8 x 13mm Eco Fix
Qty: x7



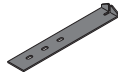
Part Ref: 0203-32 (Assembly)
Qty: x1



Part Ref: FK3
M4 x 12mm C'Sunk Pozi Pan
Qty: x31



Part Ref: 0203-39
Qty: x4



Part Ref: FK4
M4 Serrated Flange Nut
Qty: x160



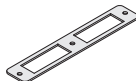
Part Ref: 0203-40
Qty: x4



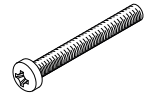
Part Ref: FK5
M8 Serrated Flange Nut
Qty: x5



Part Ref: 0203-41
Qty: x1



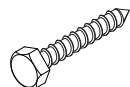
Part Ref: FK6
M4 x 40mm Pozi Pan Screw
Qty: x7



Part Ref: FK7
Expansion Plug
Qty: x4



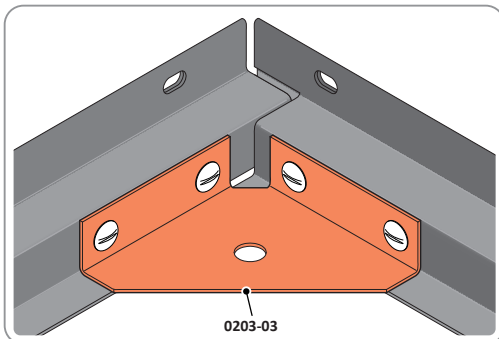
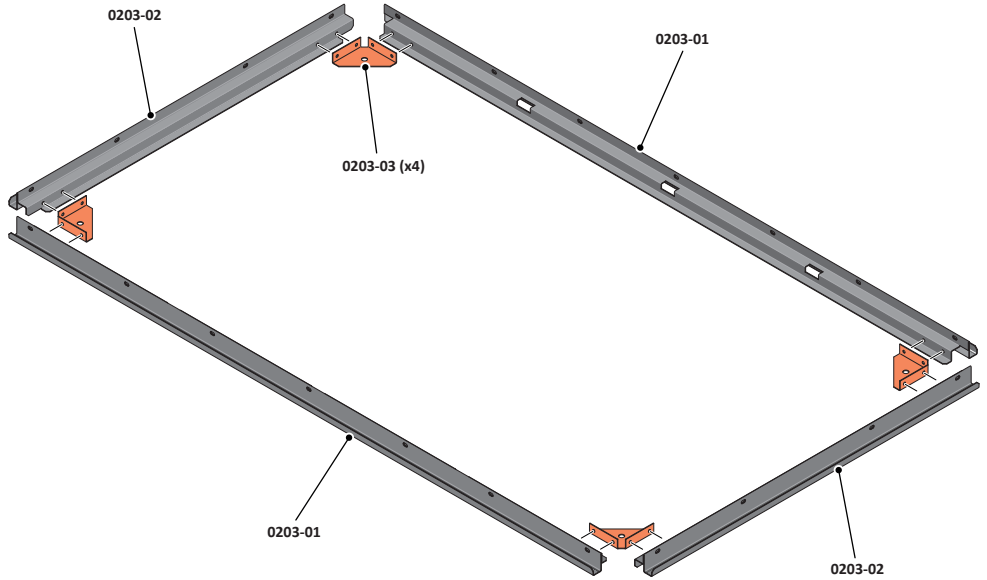
Part Ref: FK8
M8 x 50mm Coach Screw
Qty: x4



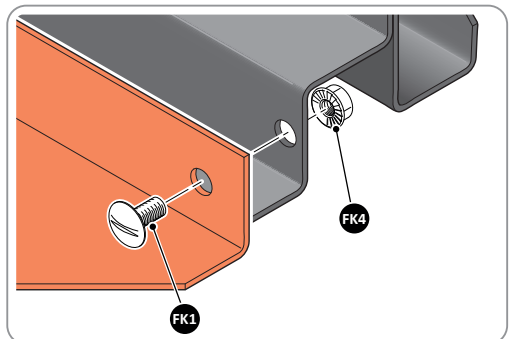
Assembly Guide

ASSEMBLY STAGE 1

LOCATE AND SECURE A CORNER BRACE 0203-03 AT EACH LOCATION INDICATED.



SECURE EACH CORNER BRACE 0203-03 AS SHOWN ABOVE.

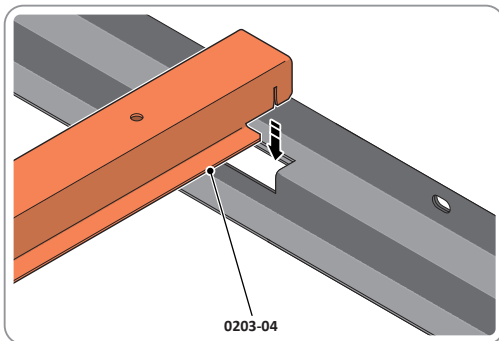
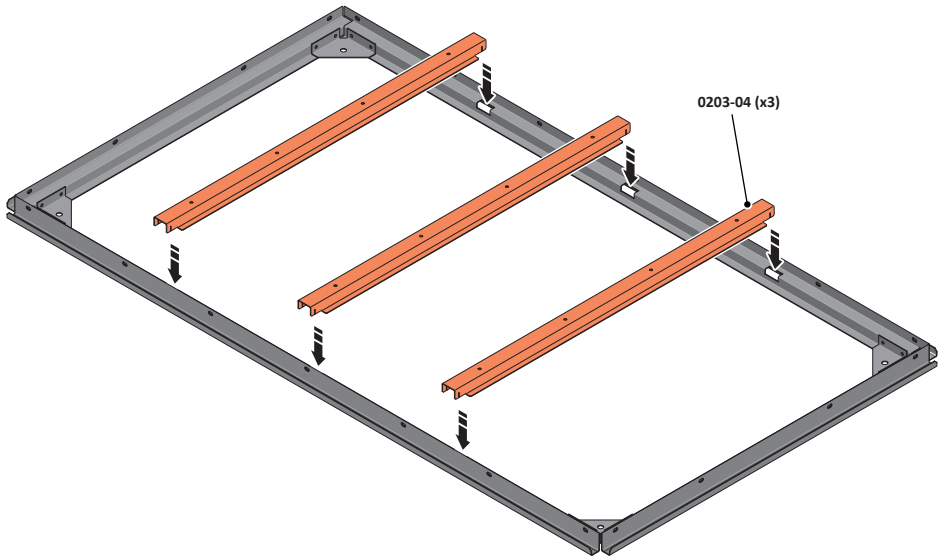


PLEASE NOTE: SECTION VIEW OF TYPICAL FIXING METHOD.

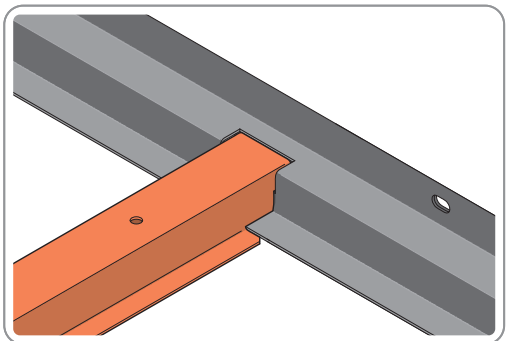
Assembly Guide

ASSEMBLY STAGE 2

LOCATE AND SECURE A FLOOR BRACE 0203-04 AT EACH LOCATION INDICATED.



SLOT EACH FLOOR BRACE 0203-04 INTO POSITION AS SHOWN ABOVE.

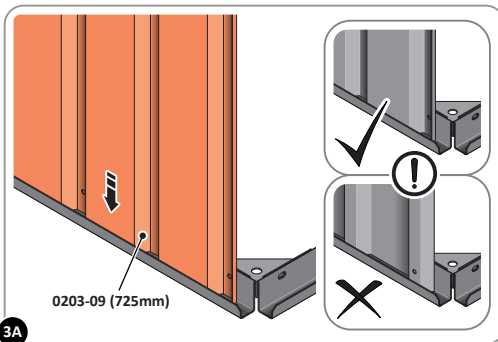
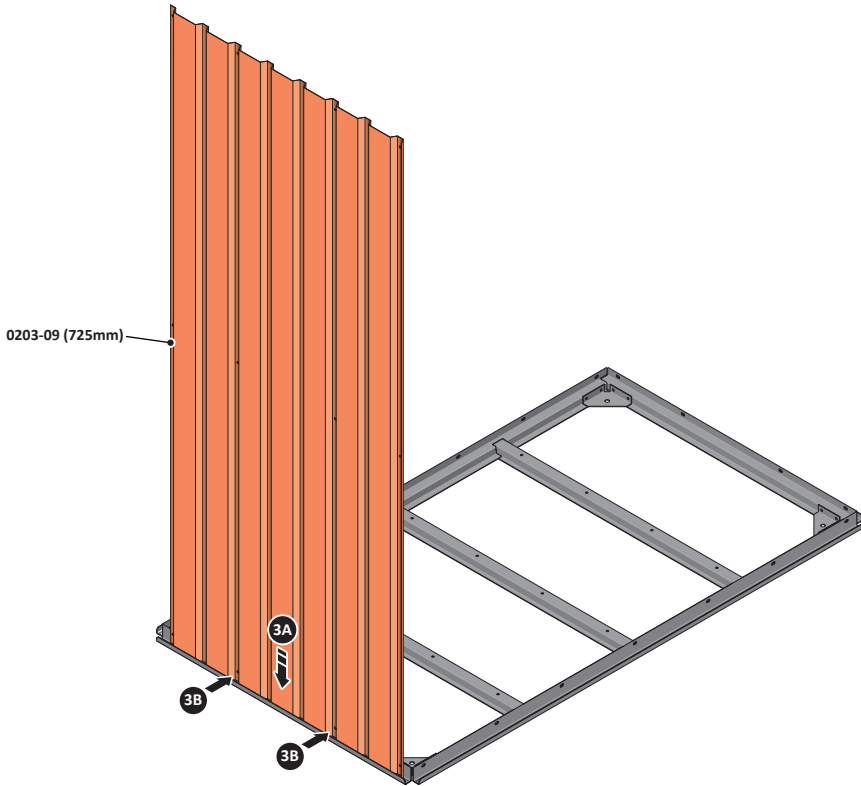


PLEASE NOTE: ENSURE TOP OF FLOOR BRACE IS LEVEL WITH TOP OF FLOOR RAIL.

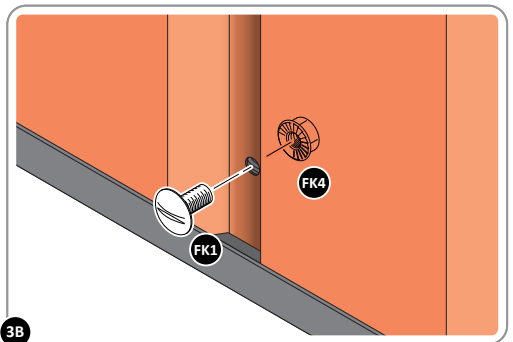
Assembly Guide

ASSEMBLY STAGE 3

LOCATE WALL PANEL 0203-09 (725mm WIDE), PLEASE NOTE EACH PANEL DOES NOT HAVE A SPECIFIC TOP OR BOTTOM, SO CAN BE LOCATED EITHER WAY.



3A
LOCATE WALL PANEL 0203-09 INTO POSITION AS SHOWN ABOVE.
IMPORTANT: ENSURE PANEL IS IN THE CORRECT ORIENTATION.

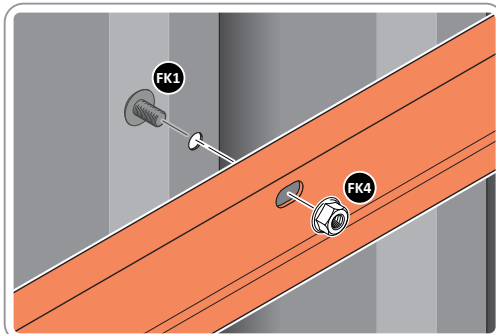
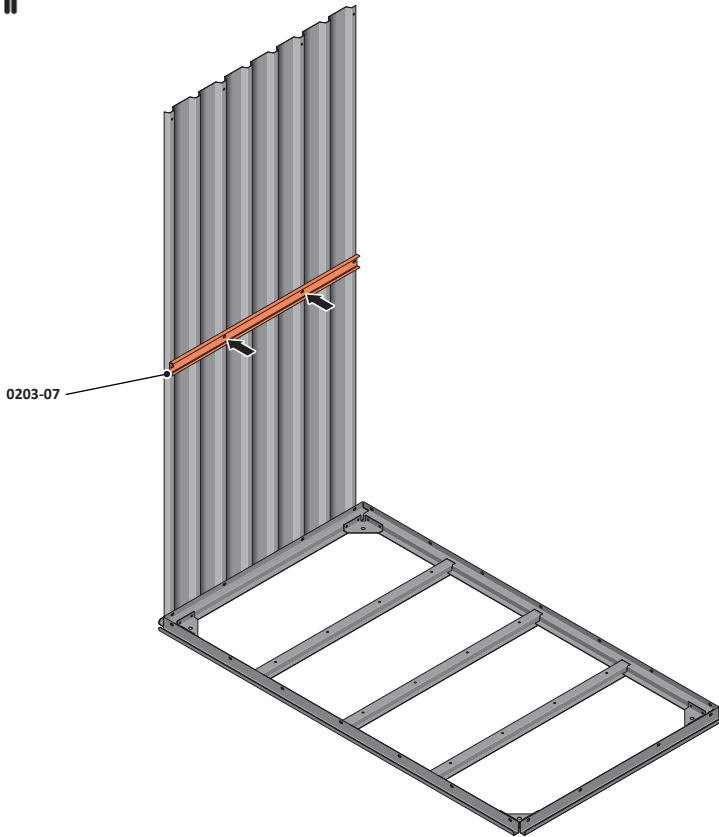


3B
LOOSELY ATTACH WALL PANEL ONTO FLOOR RAIL AT x2 LOCATIONS INDICATED.
IMPORTANT: DO NOT SECURE AT OUTER FIXING POINTS AT THIS STAGE.

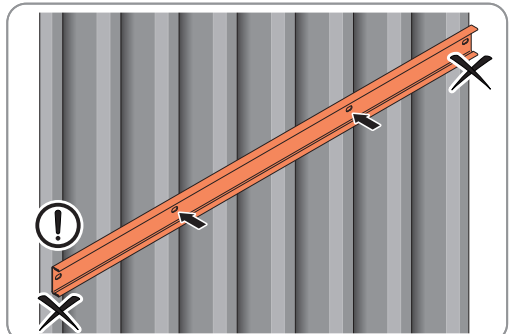
Assembly Guide

ASSEMBLY STAGE 4

LOCATE AND LOOSELY ATTACH SHORT CENTRE BRACE 0203-07 ONTO WALL PANEL.



LOCATE AND LOOSELY ATTACH SHORT CENTRE BRACE 0203-07 AS SHOWN AT x2 LOCATIONS INDICATED ABOVE.



LOOSELY ATTACH AT x2 LOCATIONS INDICATED ONLY.
IMPORTANT: DO NOT SECURE AT OUTER FIXING POINTS AT THIS STAGE.

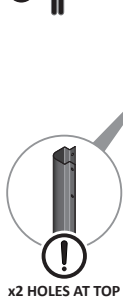
Assembly Guide

ASSEMBLY STAGE 5

LOCATE AND LOOSELY ATTACH CORNER POSTS 0203-11 (1735mm LONG) & 0203-12 (1800mm LONG) ONTO WALL PANEL.

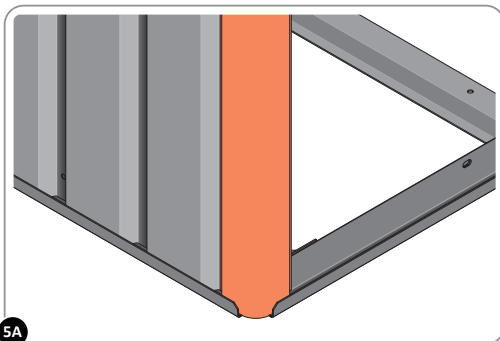
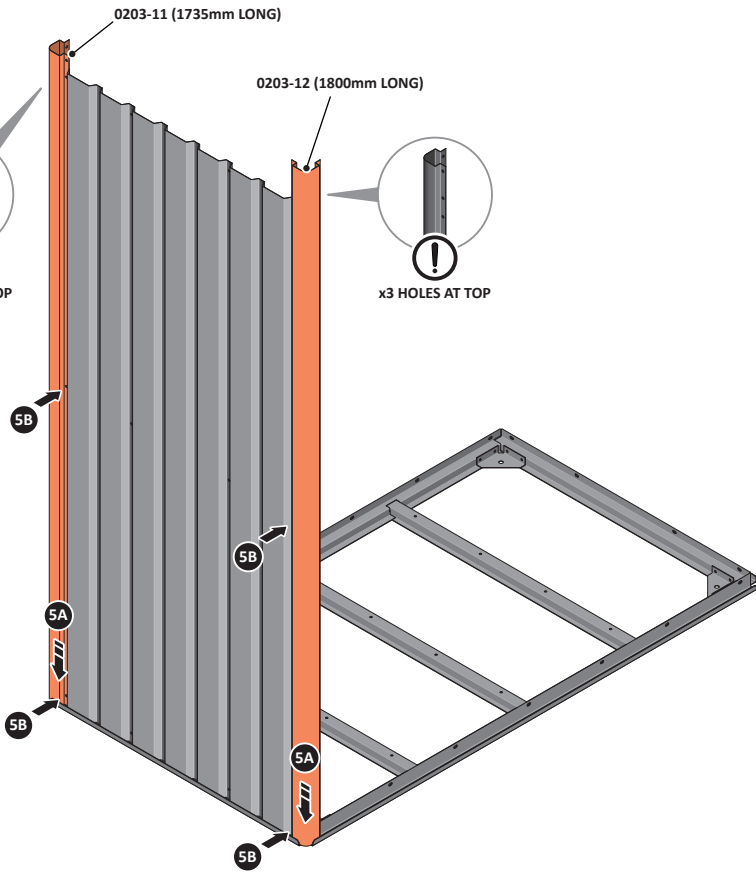
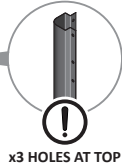


x2



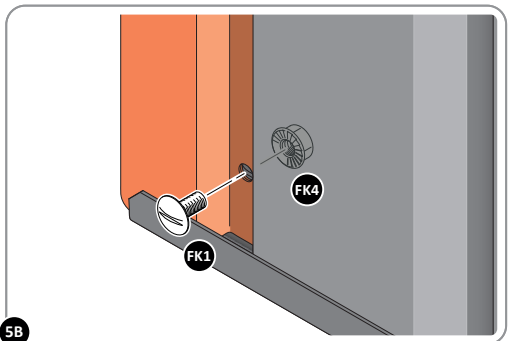
0203-11 (1735mm LONG)

0203-12 (1800mm LONG)



5A

LOCATE CORNER POSTS 0203-11 & 0203-12 AS SHOWN AT x2 LOCATIONS ABOVE.

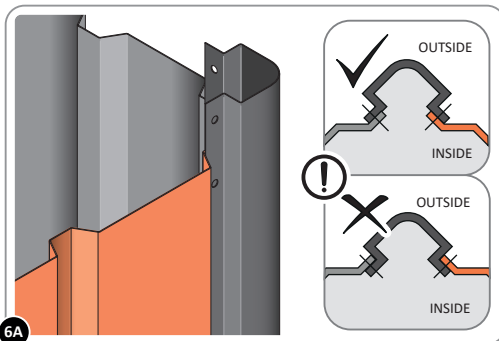
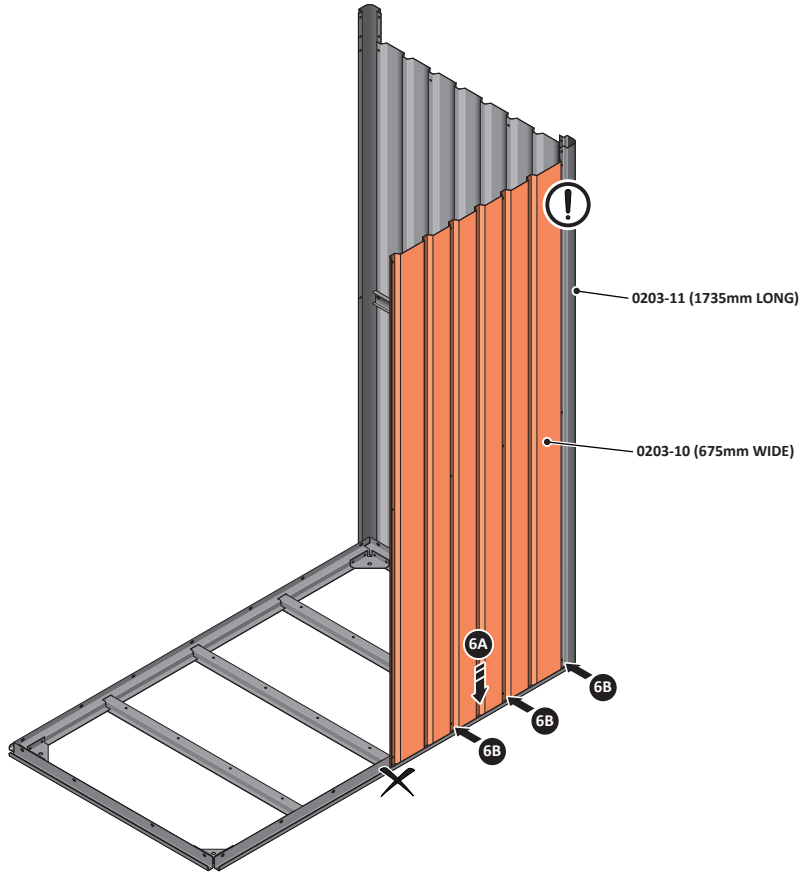


5B

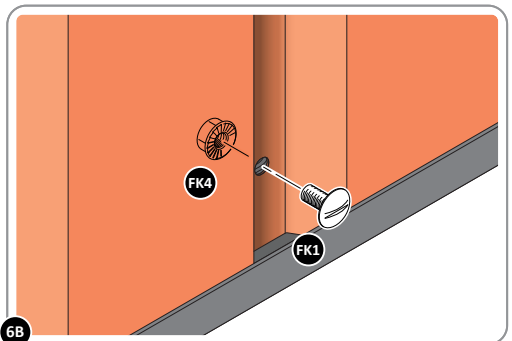
LOOSELY ATTACH CORNER POSTS AT x4 LOCATIONS INDICATED ONLY.
IMPORTANT: DO NOT SECURE AT UPPER FIXING POINTS AT THIS STAGE.

ASSEMBLY STAGE 6

LOCATE BACK WALL PANEL 0203-10 (675mm WIDE), PLEASE NOTE THE PANEL DOES NOT HAVE A SPECIFIC TOP OR BOTTOM, SO CAN THEREFORE BE LOCATED EITHER WAY.



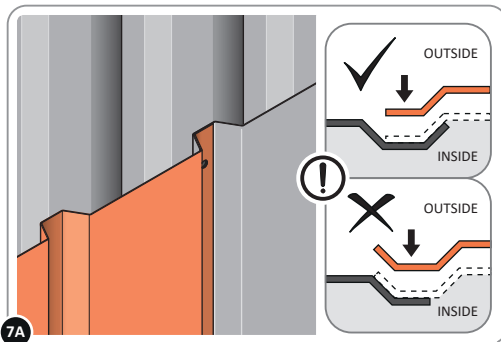
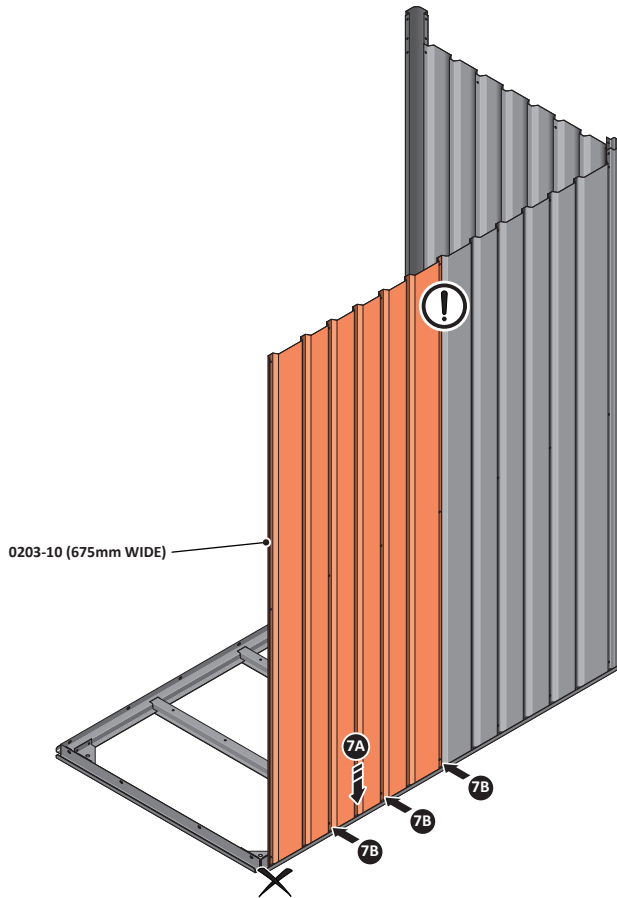
6A
LOCATE FIRST BACK WALL PANEL 0203-10 (675mm WIDE) AS SHOWN ABOVE.
IMPORTANT: ENSURE PANEL IS IN THE CORRECT ORIENTATION.



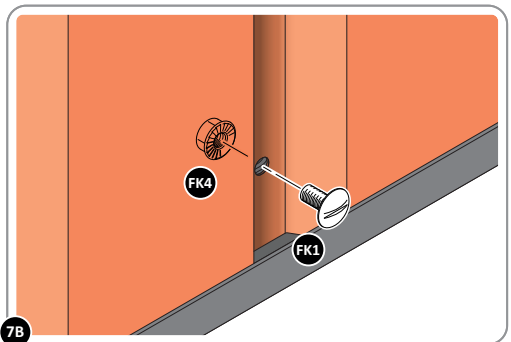
6B
LOOSELY ATTACH BACK WALL PANEL AT x3 LOCATIONS INDICATED ONLY.
IMPORTANT: DO NOT SECURE ANY FIXING POINTS OTHER THAN THOSE INDICATED.

ASSEMBLY STAGE 7

LOOSELY ATTACH BACK WALL PANELS 0203-10.



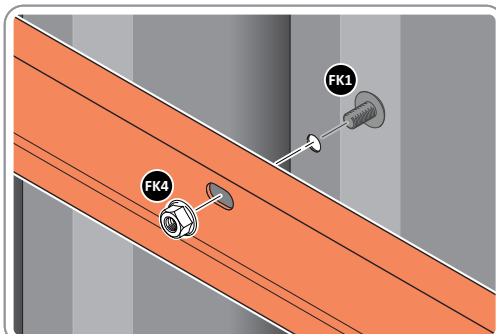
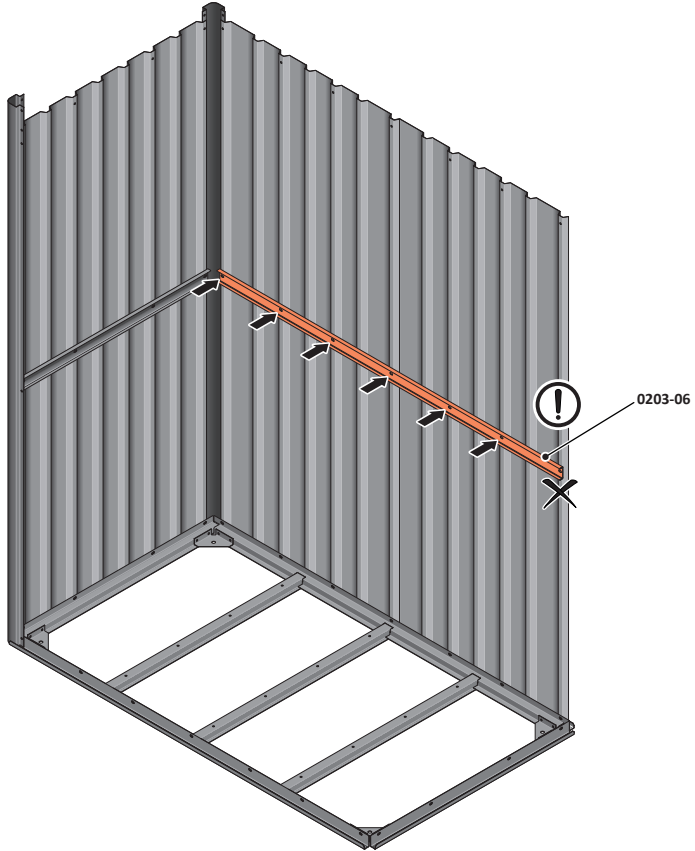
7A LOCATE SECOND BACK WALL PANEL 0203-10 INTO POSITION AS SHOWN ABOVE.
IMPORTANT: ENSURE PANEL IS IN THE CORRECT ORIENTATION.



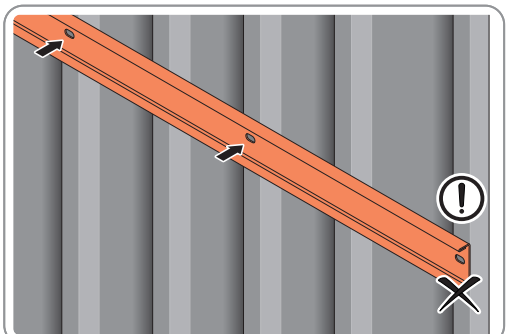
7B LOOSELY ATTACH BACK WALL PANEL AT x3 LOCATIONS INDICATED ONLY.
IMPORTANT: DO NOT SECURE ANY FIXING POINTS OTHER THAN THOSE INDICATED.

ASSEMBLY STAGE 8

LOCATE AND LOOSELY ATTACH LONG CENTRE BRACE 0203-06 ONTO BACK WALL.



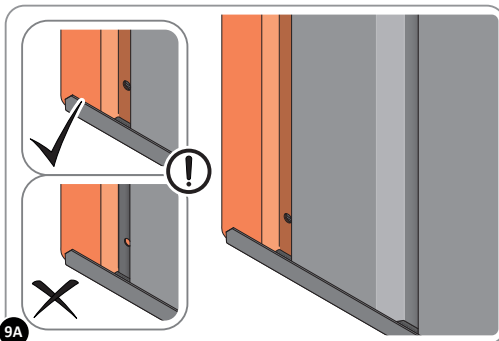
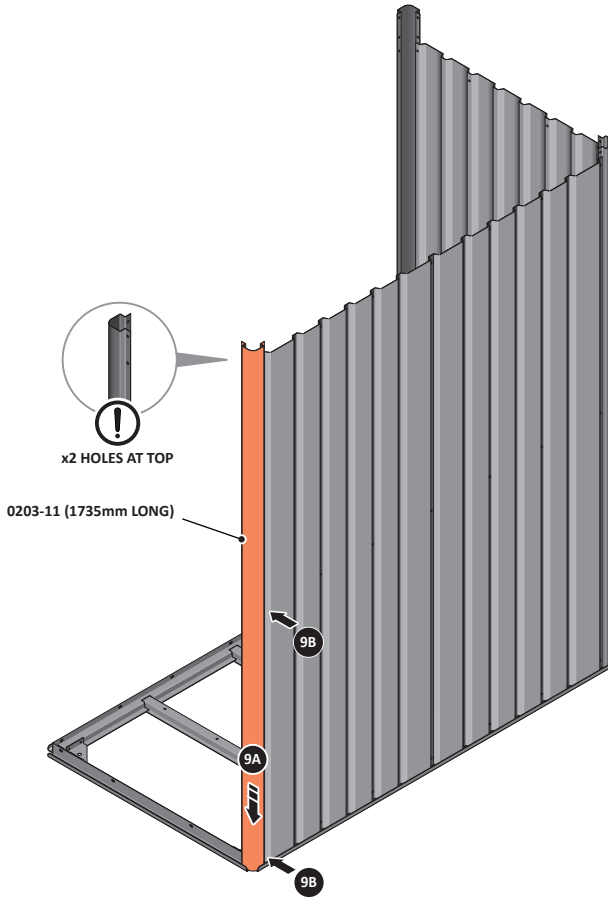
LOCATE AND LOOSELY ATTACH LONG CENTRE BRACE 0203-06 AS SHOWN AT x2 LOCATIONS INDICATED ABOVE.



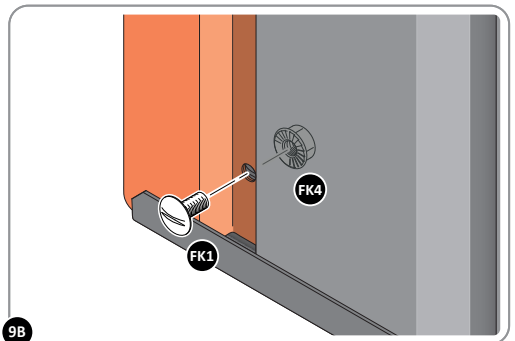
LOOSELY ATTACH AT x6 LOCATIONS INDICATED ONLY.
IMPORTANT: DO NOT SECURE OUTER FIXING POINT INDICATED AT THIS STAGE.

ASSEMBLY STAGE 9

LOCATE AND LOOSELY ATTACH CORNER POSTS 0203-11 (1735mm).



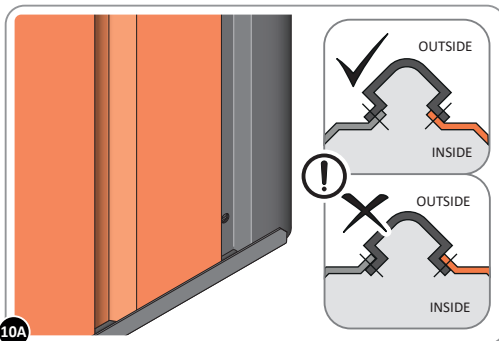
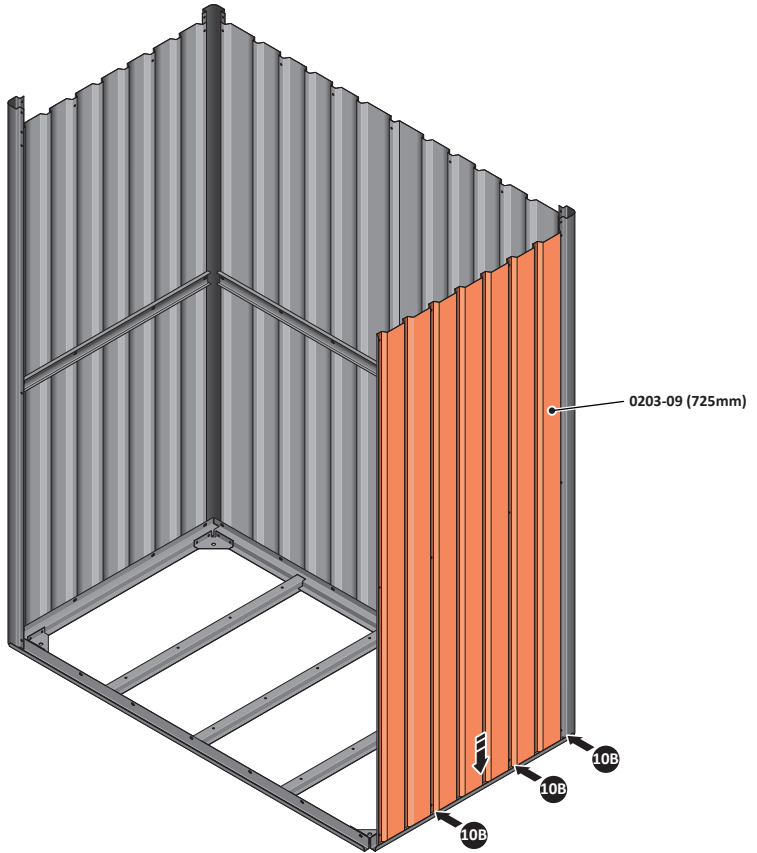
9A LOCATE CORNER POST 0203-11 (1735mm) AS SHOWN ABOVE.



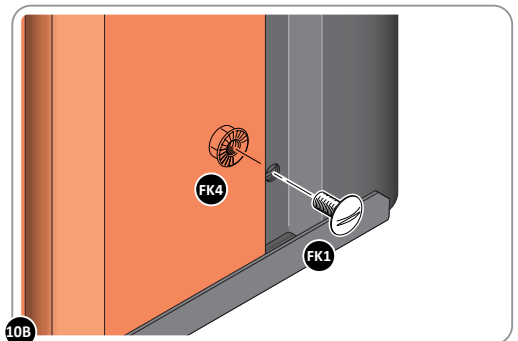
9B LOOSELY ATTACH CORNER POST AT x2 LOCATIONS INDICATED ONLY.
IMPORTANT: DO NOT SECURE AT TOP FIXING POINT AT THIS STAGE.

ASSEMBLY STAGE 10

LOCATE WALL PANEL 0203-09 (725mm WIDE), PLEASE NOTE THE PANEL DOES NOT HAVE A SPECIFIC TOP OR BOTTOM, SO CAN BE LOCATED EITHER WAY.



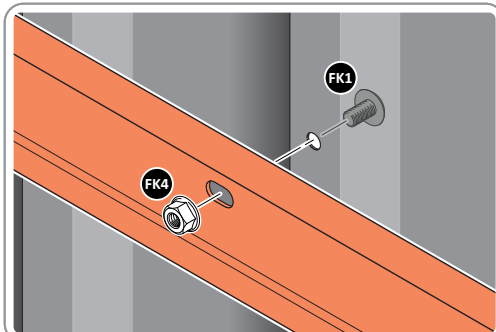
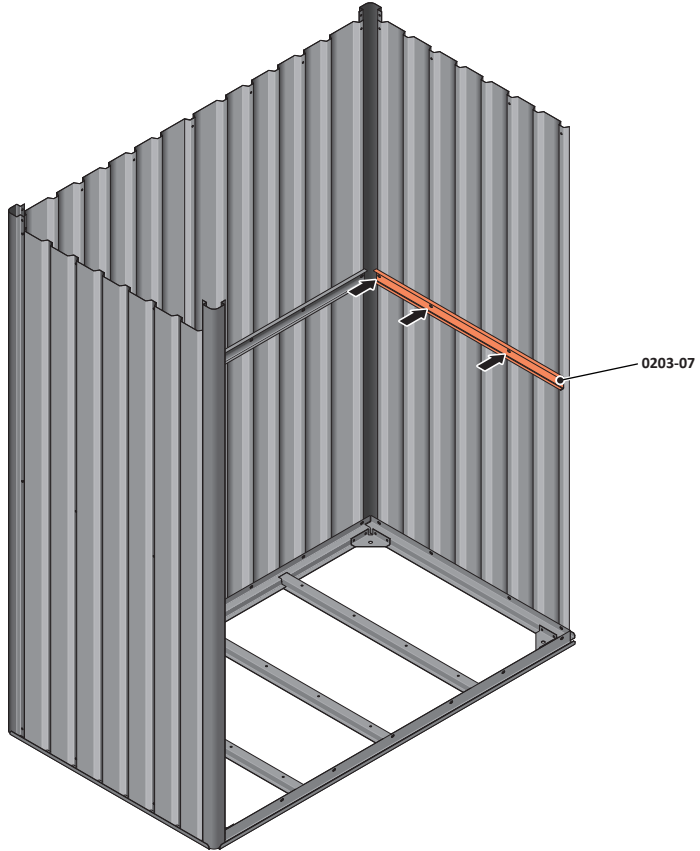
10A
LOCATE WALL PANEL 0203-09 INTO POSITION AS SHOWN ABOVE.
IMPORTANT: ENSURE PANEL IS IN THE CORRECT ORIENTATION.



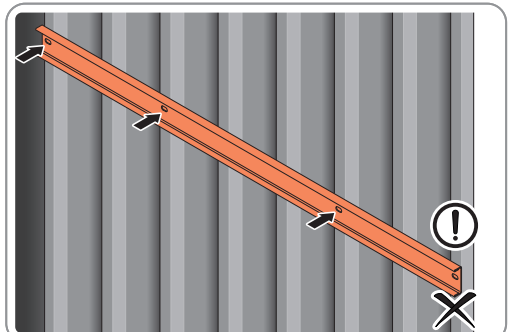
10B
LOOSELY ATTACH WALL PANEL ONTO FLOOR RAIL AT x3 LOCATIONS INDICATED.
IMPORTANT: DO NOT SECURE AT OUTER FIXING POINTS AT THIS STAGE.

ASSEMBLY STAGE 11

LOCATE AND LOOSELY ATTACH SHORT CENTRE BRACE 0203-07.



LOCATE AND LOOSELY ATTACH SHORT CENTRE BRACE 0203-07 AS SHOWN AT x3 LOCATIONS INDICATED ABOVE.

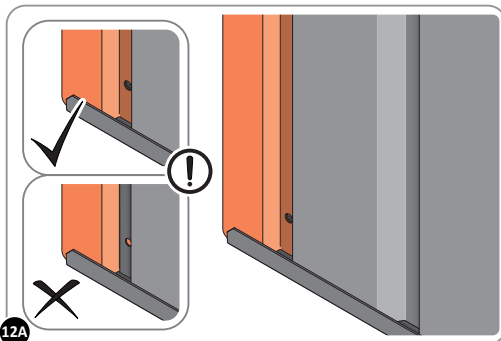
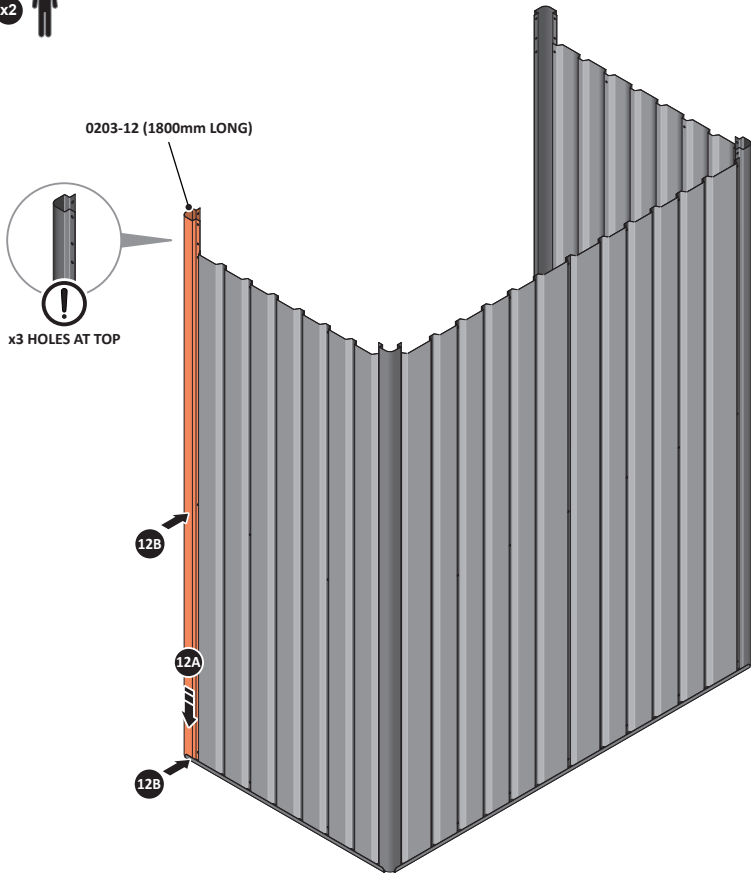


LOOSELY ATTACH AT x3 LOCATIONS INDICATED ONLY.
IMPORTANT: DO NOT SECURE AT OUTER FIXING POINT AT THIS STAGE.

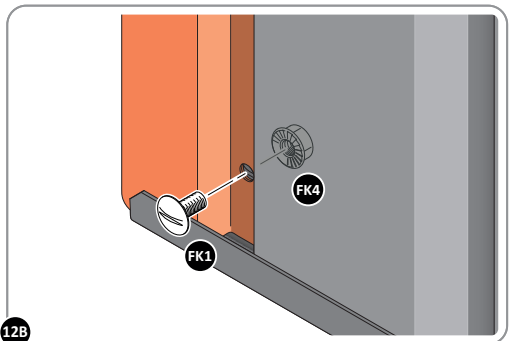
Assembly Guide

ASSEMBLY STAGE 12

LOCATE AND LOOSELY ATTACH CORNER POST 0203-12 (1800mm).



12A LOCATE CORNER POST 0203-12 (1800mm) AS SHOWN ABOVE.

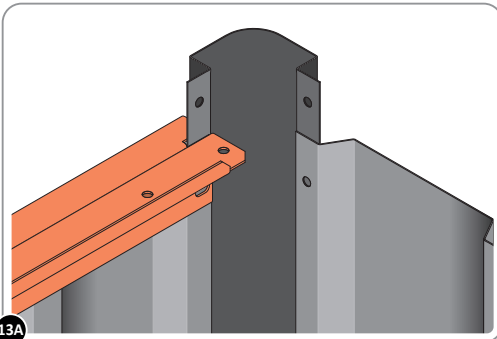
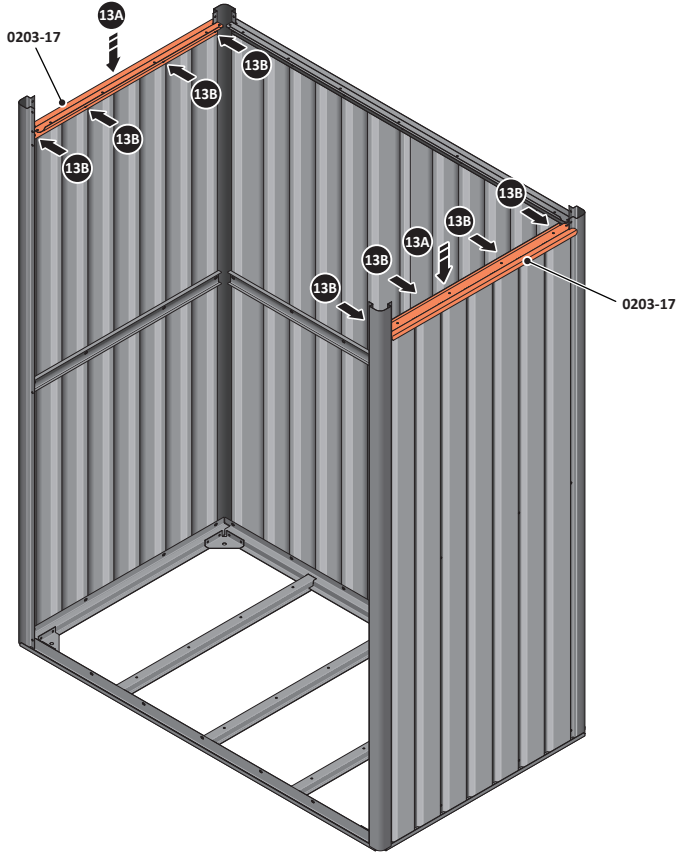


12B

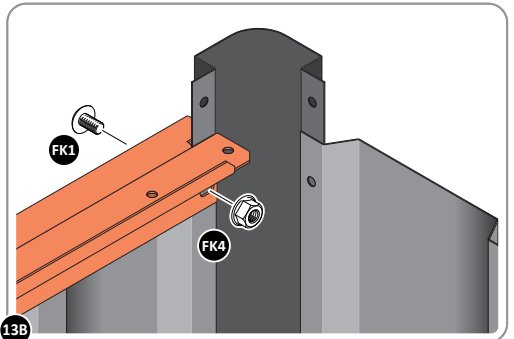
LOOSELY ATTACH CORNER POST AT x2 LOCATIONS INDICATED ONLY.
IMPORTANT: DO NOT SECURE AT TOP FIXING POINT AT THIS STAGE.

ASSEMBLY STAGE 13

LOCATE AND LOOSELY ATTACH SHORT TOP RAIL 0203-17.



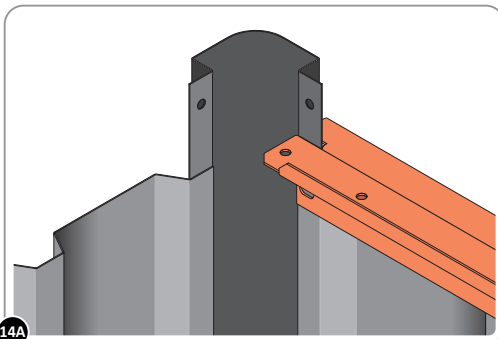
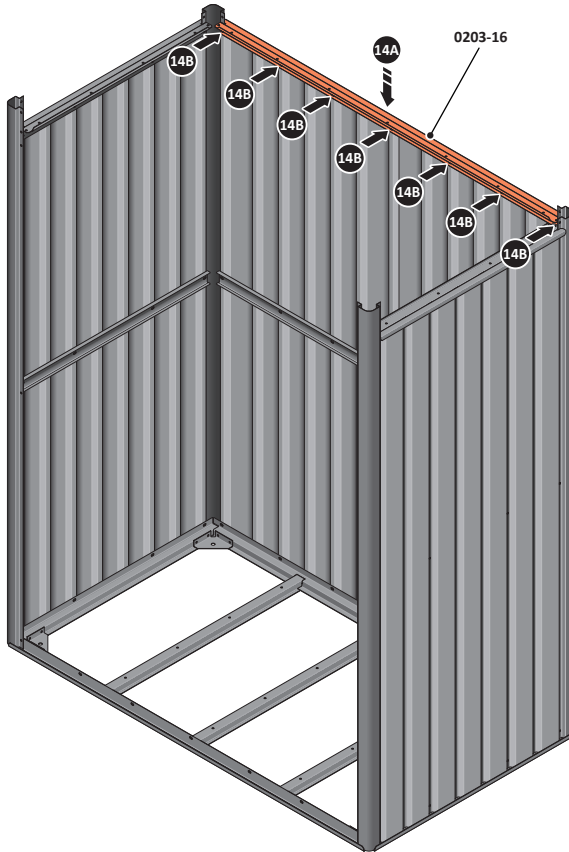
13A LOCATE SHORT TOP RAIL 0203-17 AS SHOWN ABOVE.



13B LOOSELY ATTACH AT X4 LOCATIONS INDICATED AND REPEAT THIS FOR THE OPPOSITE SIDE AS SHOWN ABOVE.

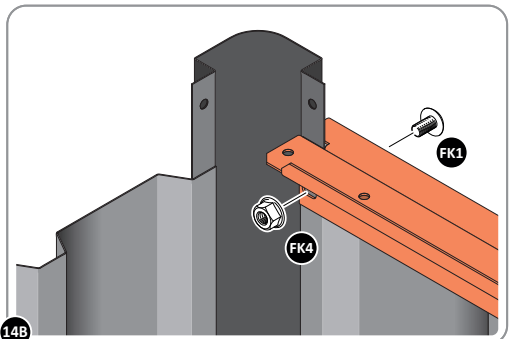
ASSEMBLY STAGE 14

LOCATE AND LOOSELY ATTACH LONG TOP RAIL 0203-16.



14A

LOCATE LONG TOP RAIL 0203-16 AS SHOWN ABOVE.

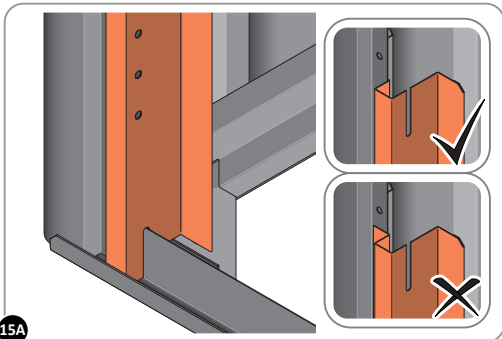
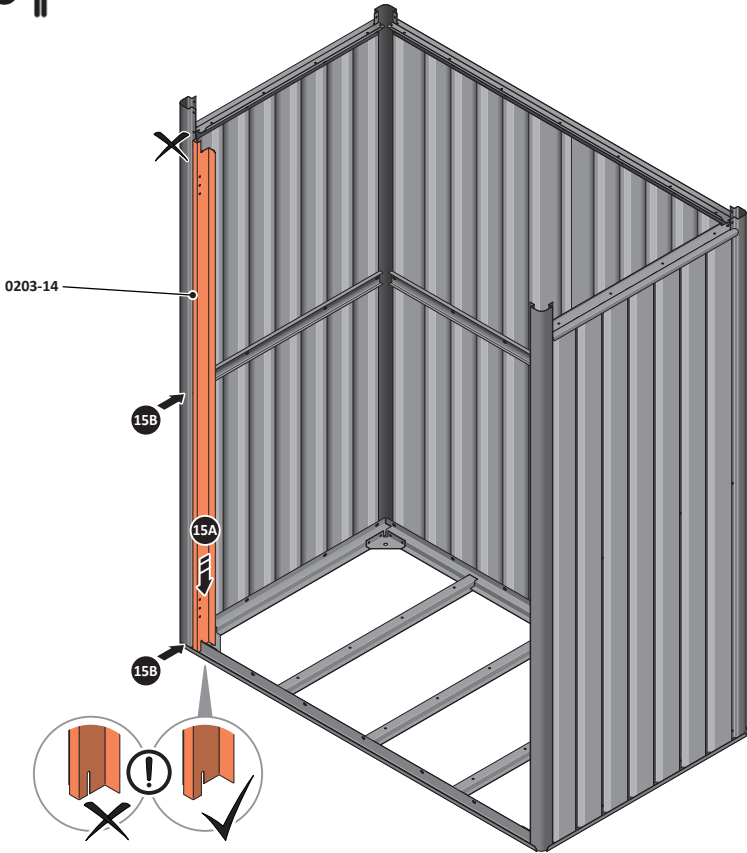


14B

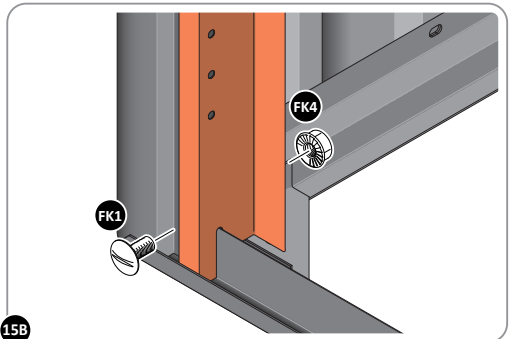
LOOSELY ATTACH AT x7 LOCATIONS INDICATED.

ASSEMBLY STAGE 15

LOCATE AND SECURE LEFT-HAND DOOR POST 0203-14.



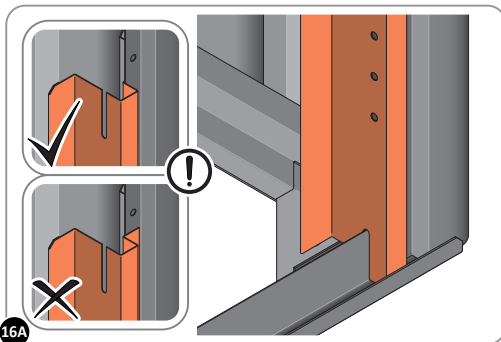
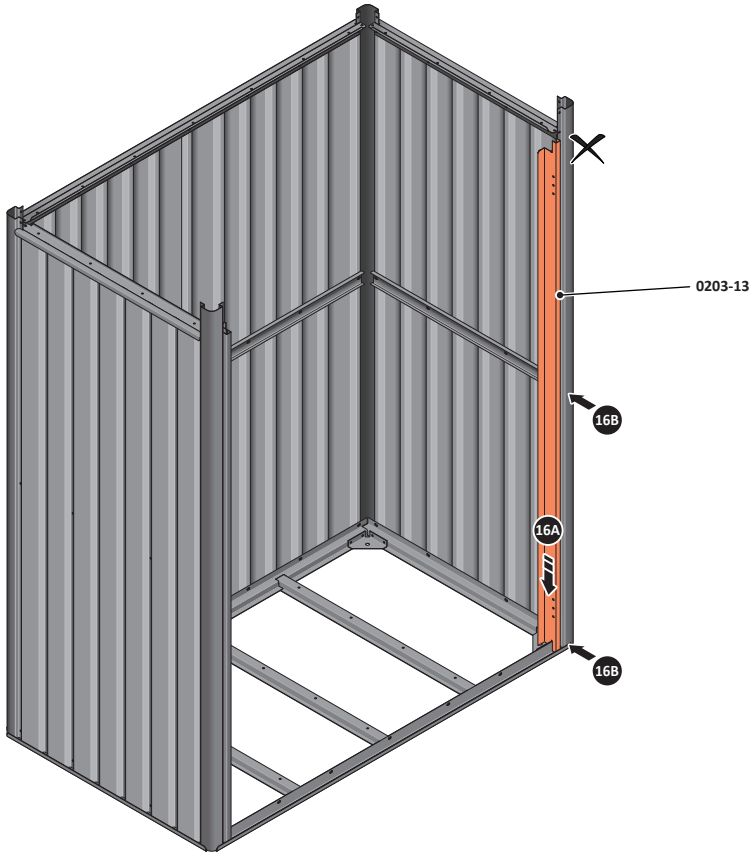
15A LOCATE LEFT-HAND DOOR POST 0203-14 AS SHOWN ABOVE.



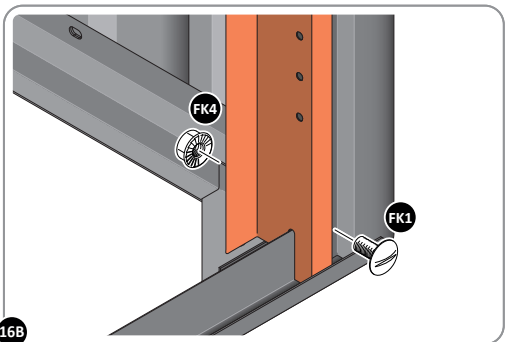
15B SECURE DOOR POST AT x2 LOCATIONS INDICATED.
IMPORTANT: DO NOT SECURE AT UPPER FIXING POINT AT THIS STAGE.

ASSEMBLY STAGE 16

LOCATE AND SECURE RIGHT-HAND DOOR POST 0203-13.



16A LOCATE RIGHT-HAND DOOR POST 0203-13 AS SHOWN ABOVE.

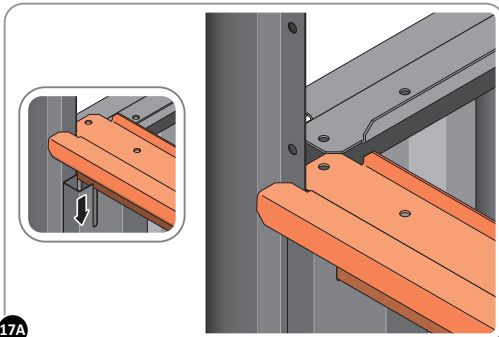
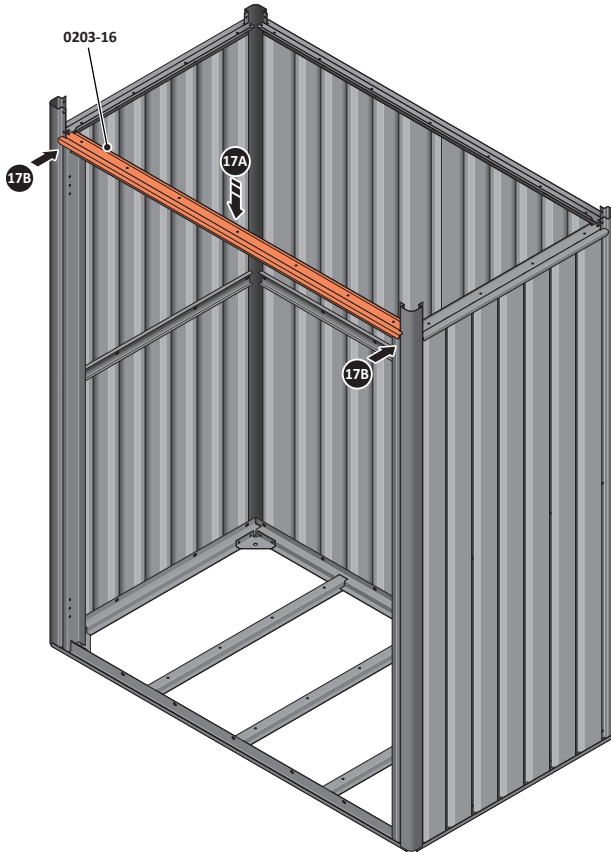


16B SECURE DOOR POST AT x2 LOCATIONS INDICATED.
IMPORTANT: DO NOT SECURE AT UPPER FIXING POINT AT THIS STAGE.

Assembly Guide

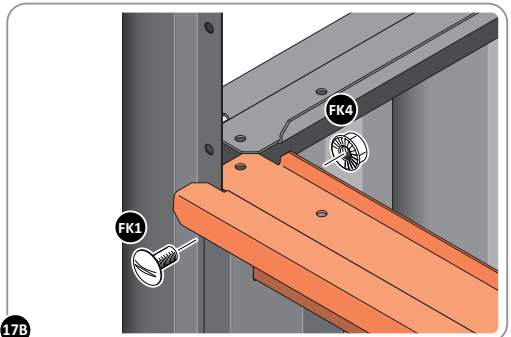
ASSEMBLY STAGE 17

LOCATE AND LOOSELY ATTACH LONG TOP RAIL 0203-16.



17A

LOCATE LONG TOP RAIL 0203-16 AS SHOWN ABOVE.

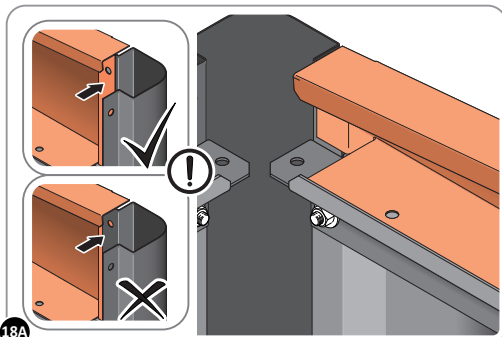
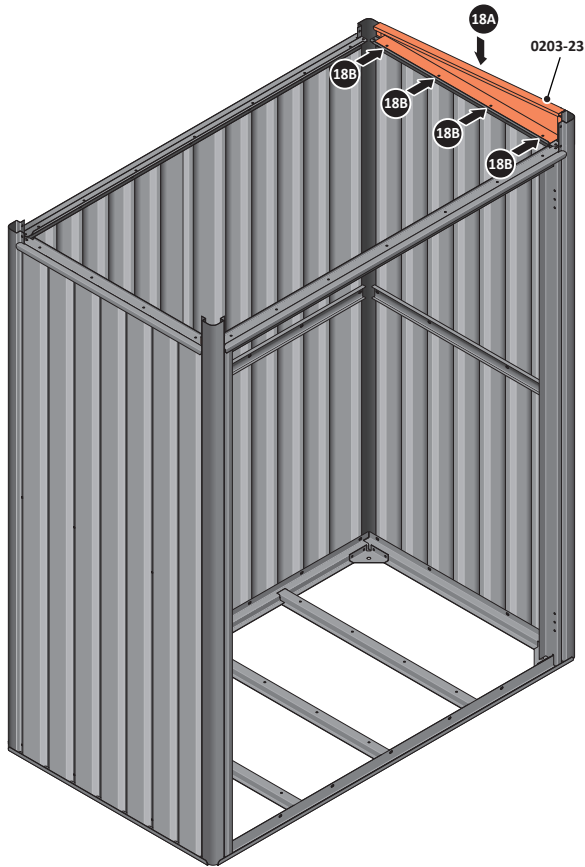


17B

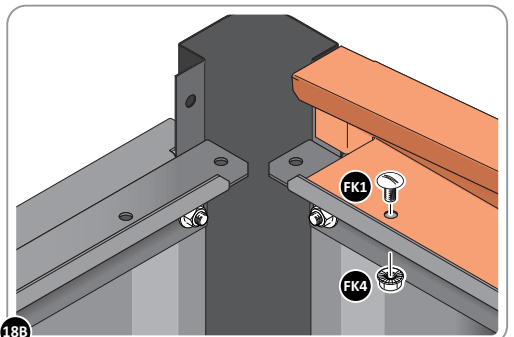
LOOSELY ATTACH AT x2 LOCATIONS INDICATED.

ASSEMBLY STAGE 18

LOCATE AND SECURE ROOF RIGHT-HAND SIDE INFILL 0203-23.



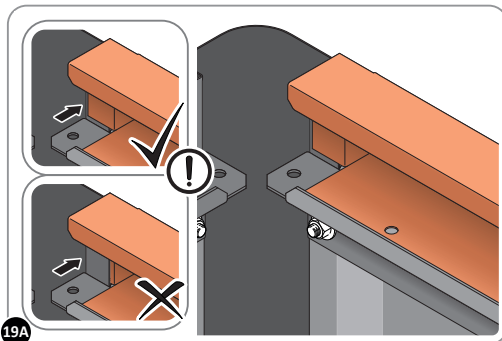
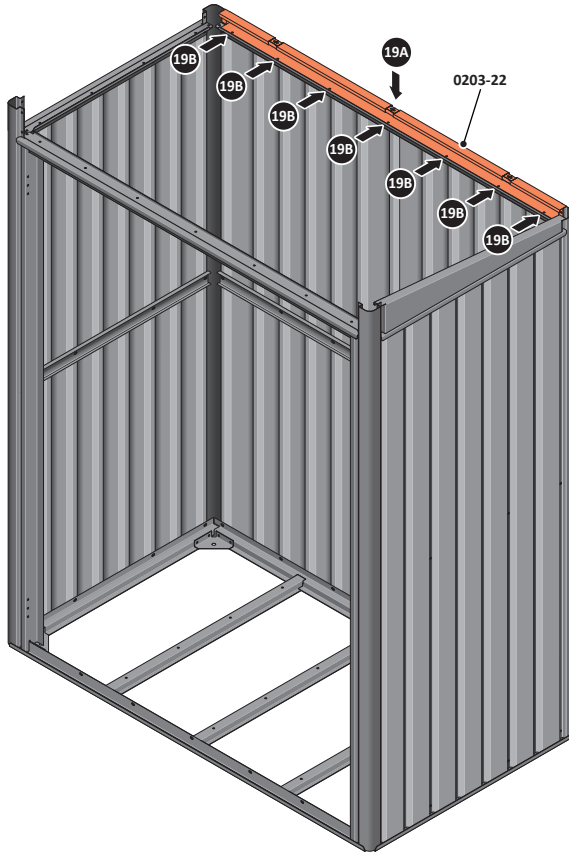
18A LOCATE ROOF RIGHT-HAND SIDE INFILL 0203-23 AS SHOWN ABOVE.



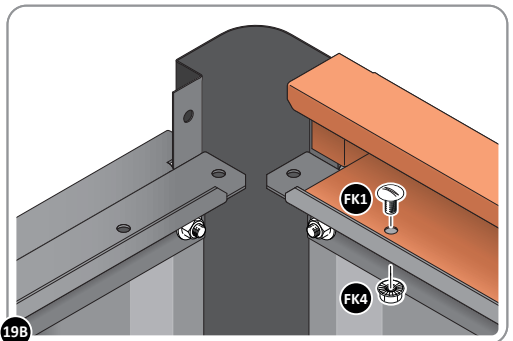
18B SECURE ROOF SIDE INFILL AT x4 LOCATIONS INDICATED AS SHOWN ABOVE.

ASSEMBLY STAGE 19

LOCATE AND SECURE ROOF REAR INFILL 0203-22.



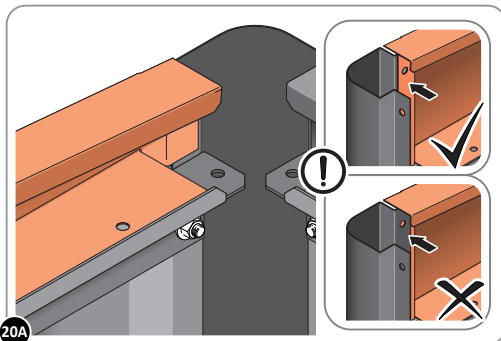
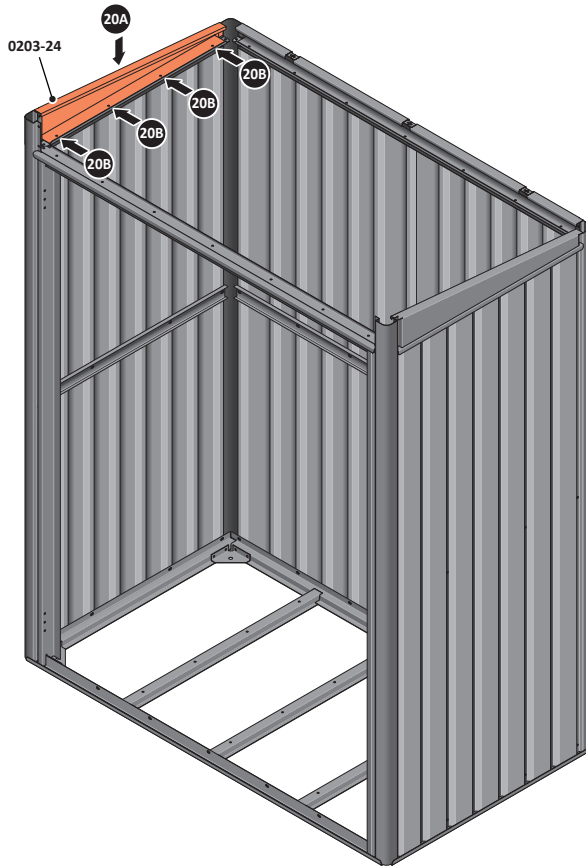
19A LOCATE ROOF REAR INFILL 0203-22 AS SHOWN ABOVE.



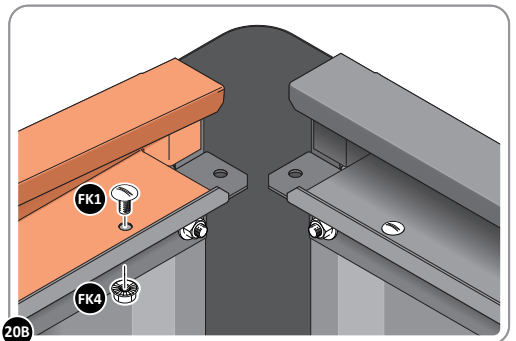
19B SECURE ROOF REAR INFILL AT x7 LOCATIONS INDICATED AS SHOWN ABOVE.

ASSEMBLY STAGE 20

LOCATE AND SECURE ROOF LEFT-HAND SIDE INFILL 0203-24.



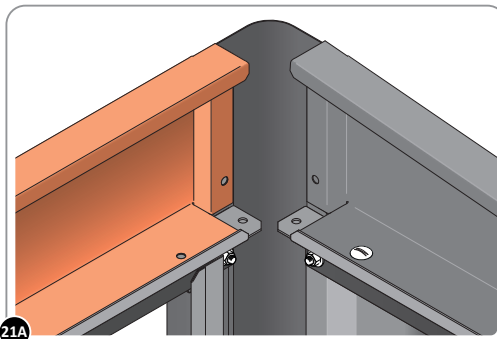
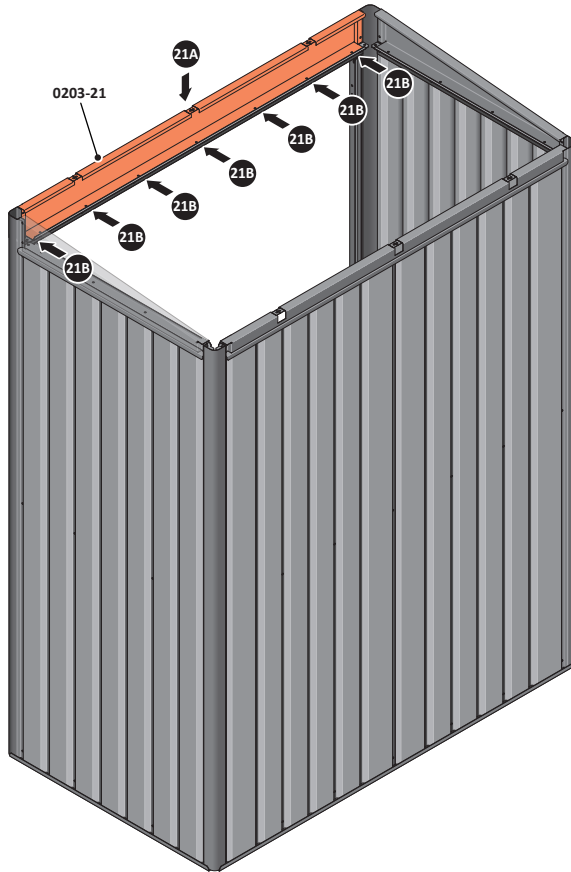
LOCATE ROOF LEFT-HAND SIDE INFILL 0203-24 AS SHOWN ABOVE.



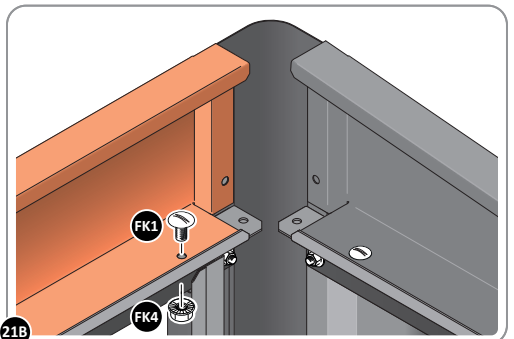
SECURE ROOF SIDE INFILL AT x4 LOCATIONS INDICATED AS SHOWN ABOVE.

ASSEMBLY STAGE 21

LOCATE AND SECURE ROOF FRONT INFILL 0203-21



21A LOCATE ROOF FRONT INFILL 0203-21 AS SHOWN ABOVE.

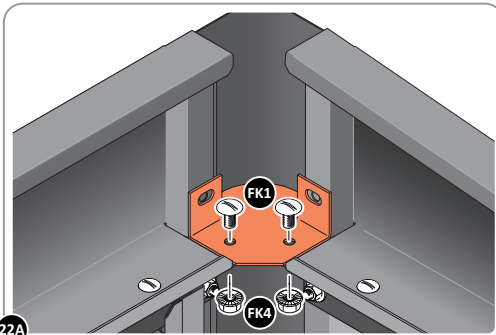
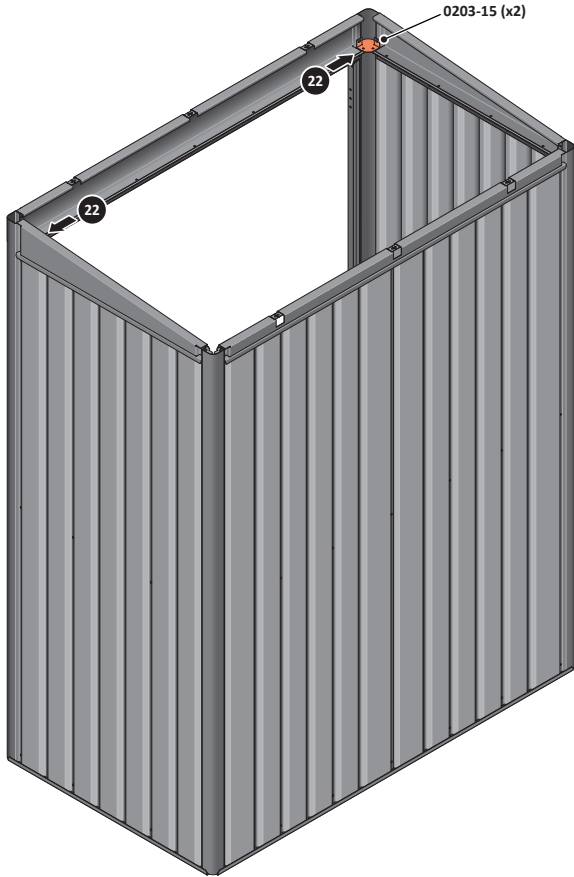


21B SECURE ROOF FRONT INFILL AT x7 LOCATIONS INDICATED AS SHOWN ABOVE.

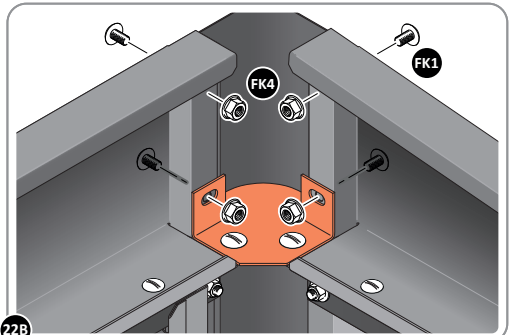
Assembly Guide

ASSEMBLY STAGE 22

LOCATE AND SECURE TOP RAIL CORNER BRACKETS 0203-15.



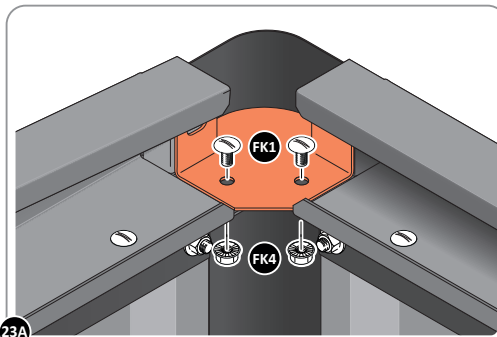
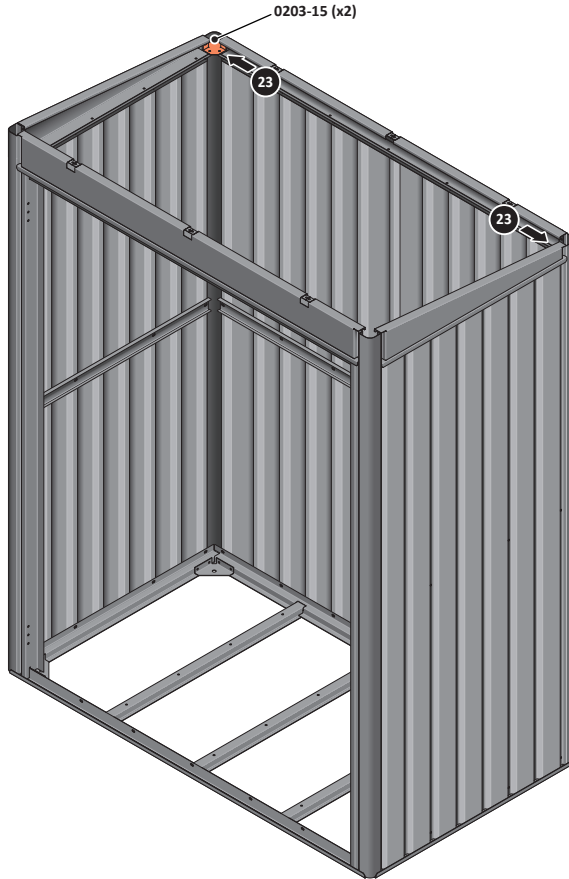
LOCATE AND SECURE TOP RAIL CORNER BRACKETS 0203-15 IN EACH CORNER OF THE SHED USING THE TYPICAL FIXING METHOD SHOWN ABOVE.



SECURE EACH CORNER BRACKET AND ROOF INFILL AS SHOWN ABOVE.

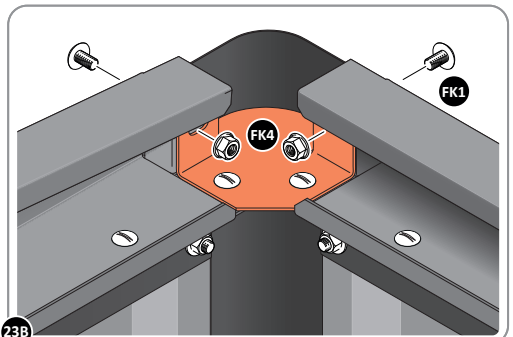
ASSEMBLY STAGE 23

LOCATE AND SECURE TOP RAIL CORNER BRACKETS 0203-15.



23A

LOCATE A TOP RAIL CORNER BRACKET 0203-15 AS SHOWN AT EACH LOCATION INDICATED ABOVE.

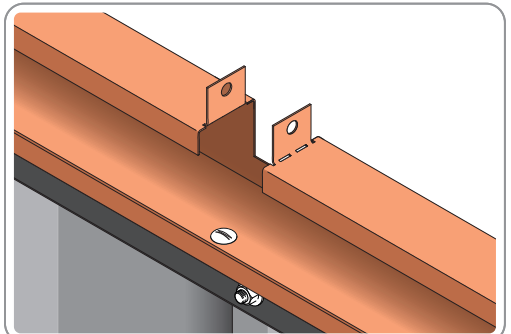
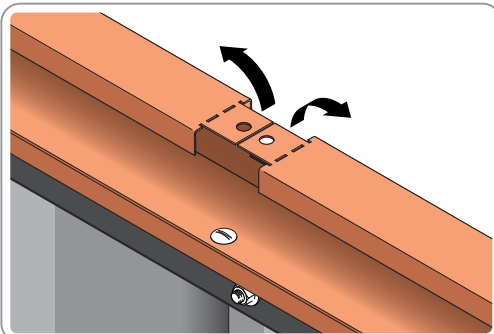
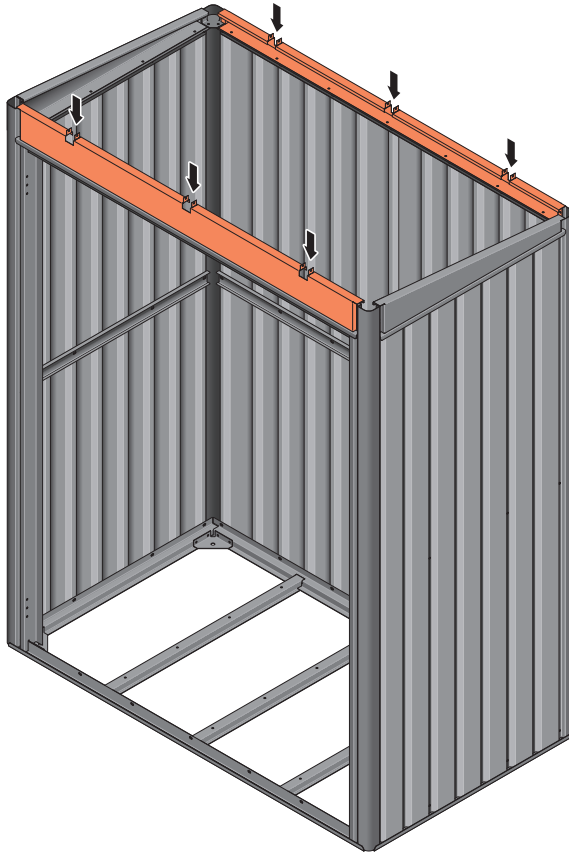


23B

SECURE EACH CORNER BRACKET AS SHOWN ABOVE.

ASSEMBLY STAGE 24

BEND OPEN AIR BEND TABS ON ROOF FRONT AND REAR INFILLS.

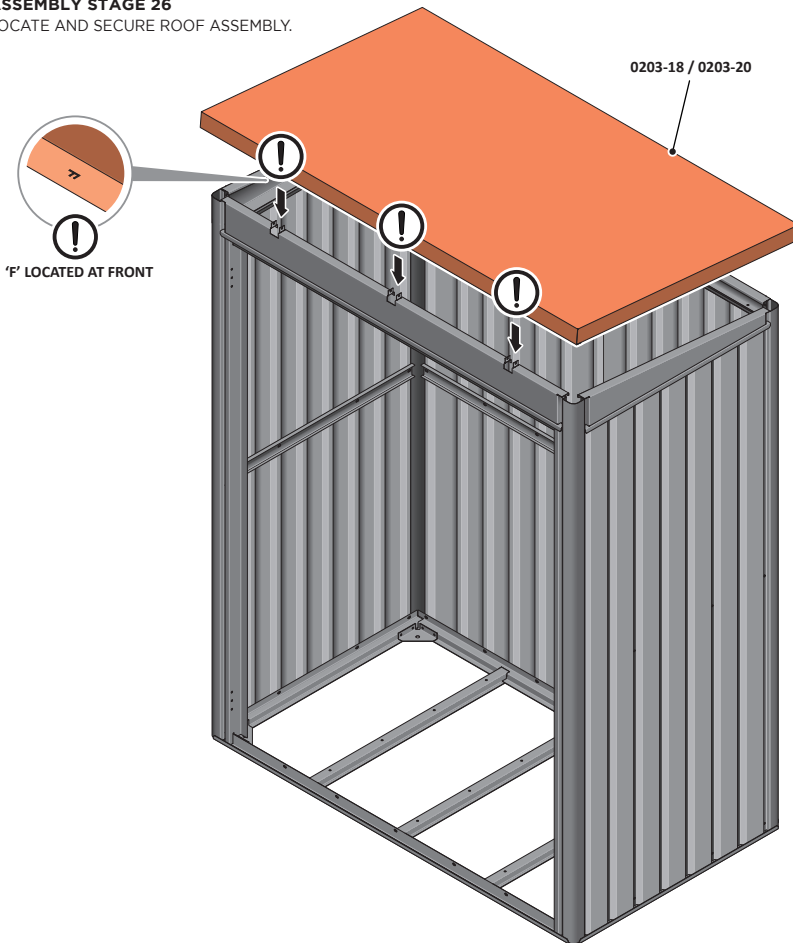


BEND OPEN AIR BEND TABS AT EACH LOCATION INDICATED ABOVE ON FRONT AND REAR ROOF INFILLS.

AIR BEND TABS SHOWN OPENED INTO CORRECT POSITION.

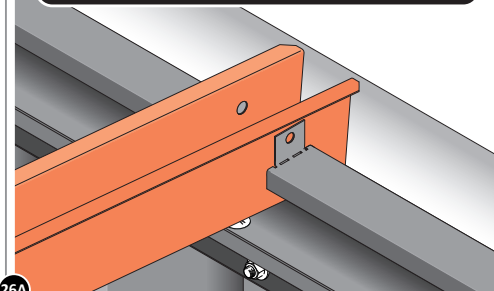
ASSEMBLY STAGE 26

LOCATE AND SECURE ROOF ASSEMBLY.



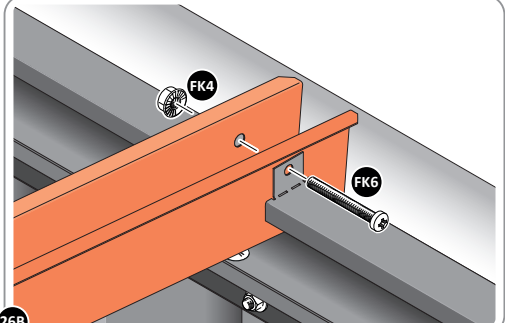
! UPON COMPLETION OF THIS PROCEDURE ENSURE STRUCTURE IS ALIGNED CORRECTLY AND TIGHTEN ALL FASTENERS **!**

ROOF PANEL NOT ILLUSTRATED FULLY FOR CLARITY PURPOSE ONLY



26A

LOCATE ROOF ASSEMBLY ONTO ROOF FRAME, ENSURE EACH ROOF BRACE IS LOCATED INTO FRONT AND REAR ROOF INFILL AIR BEND TABS AS SHOWN.

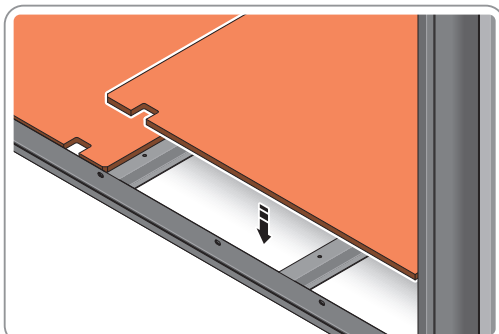
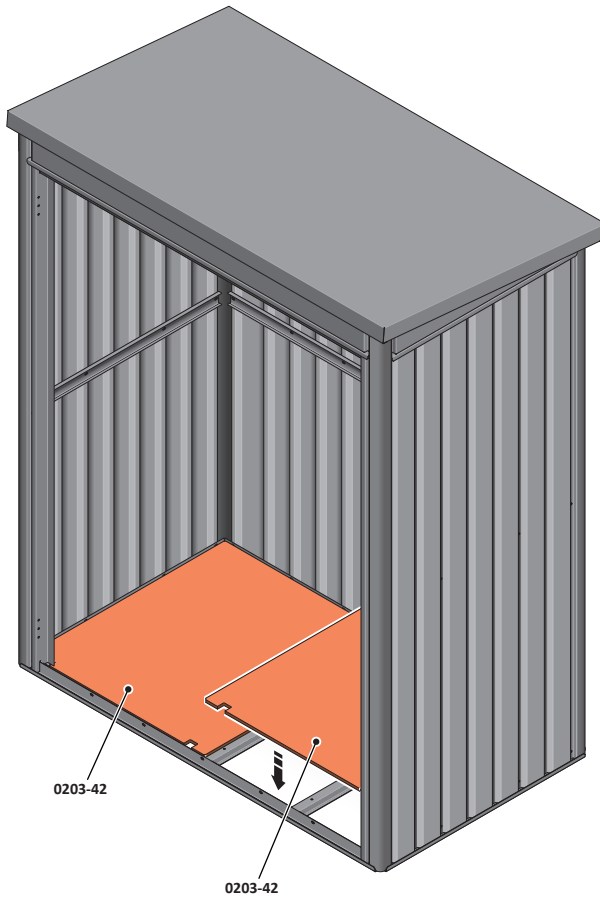


26B

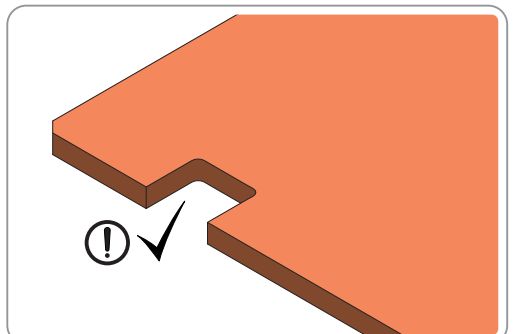
IMPORTANT: SECURE EACH ROOF BRACE ONTO FRONT AND REAR ROOF INFILL USING THE FIXING METHOD SHOWN ABOVE.

ASSEMBLY STAGE 27

LOCATE EACH FLOOR PANEL 0203-42.



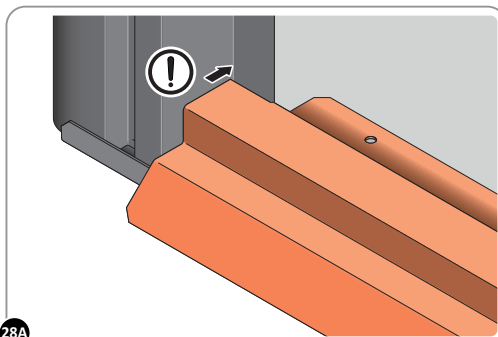
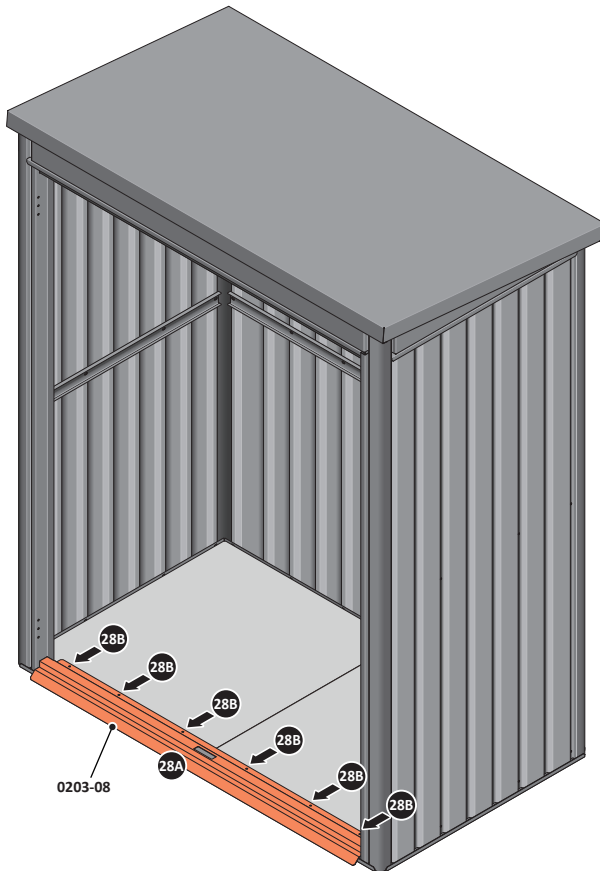
LOCATE EACH FLOOR PANEL 0203-42 INTO BASE OF STORAGE UNIT AS SHOWN.



IMPORTANT: ENSURE BASE IS FITTED AS SHOWN ABOVE.

ASSEMBLY STAGE 28

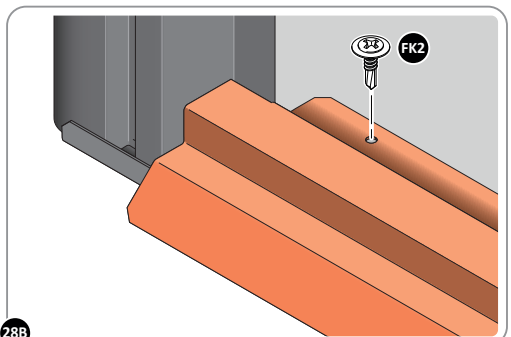
LOCATE AND SECURE DOOR STRIP 0203-08.



28A

LOCATE DOOR STRIP 0203-08 AS SHOWN.

IMPORTANT: ENSURE DOOR STRIP IS PUSHED AGAINST DOOR POST RETURN.



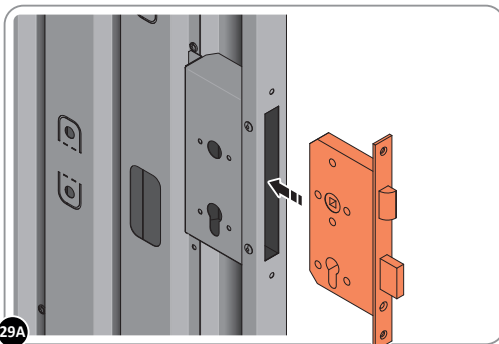
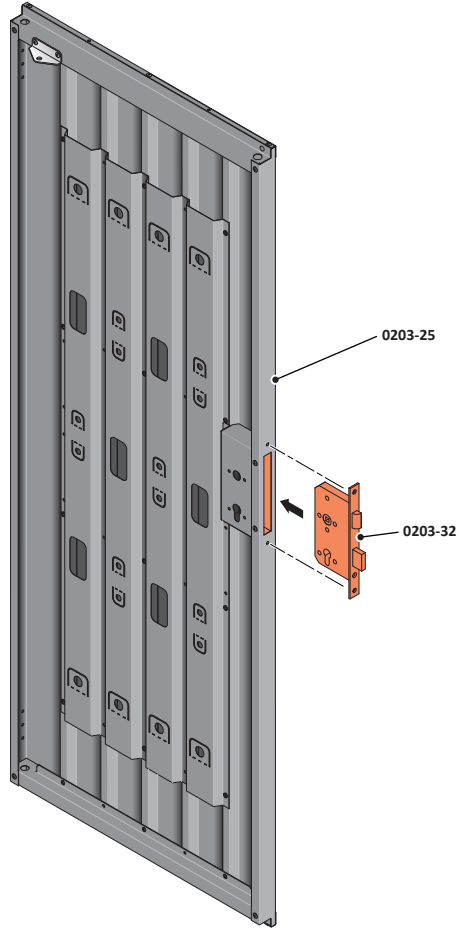
28B

SECURE DOOR STRIP ONTO FLOOR PANELS AT x6 LOCATIONS INDICATED.

PLEASE NOTE: THE FIXING USED IS A SELF DRILLING COMPONENT.

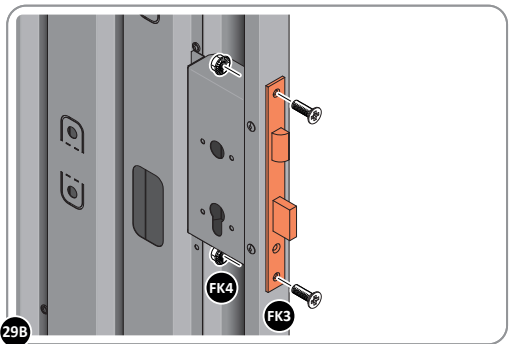
ASSEMBLY STAGE 29

LOCATE AND SECURE RIGHT-HAND DOOR ASSEMBLY 0203-25 FURNITURE.



29A

LOCATE EURO MORTICE LOCK 0203-32 RIGHT-HAND DOOR APERTURE AS SHOWN.

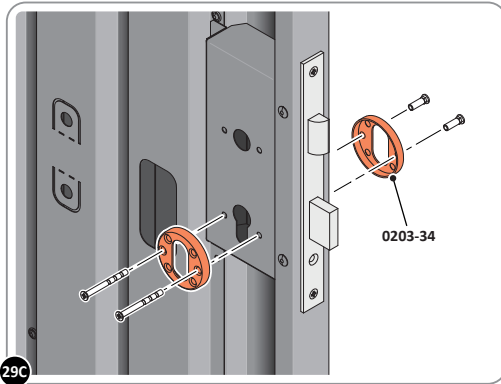


29B

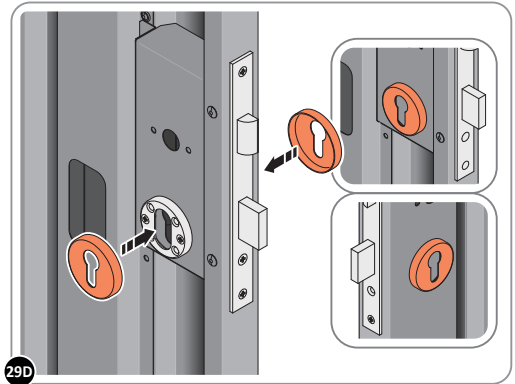
SECURE EURO MORTICE LOCK 0203-32 AT X2 LOCATIONS INDICATED ABOVE.
SEE FOLLOWING DATA SHEET FOR COMPLETION OF MORTICE LOCK INSTALLATION

ASSEMBLY STAGE 29 CONTINUED

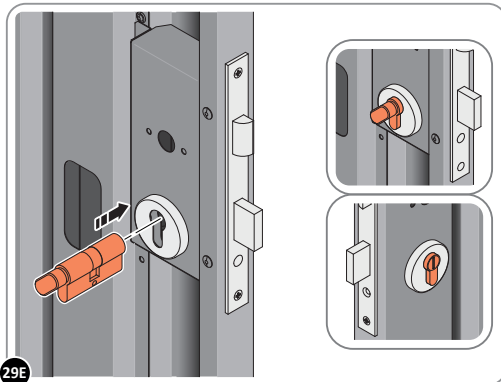
EURO MORTICE LOCK 0203-32 AND DOOR HANDLE 0203-33 INSTALLATION.



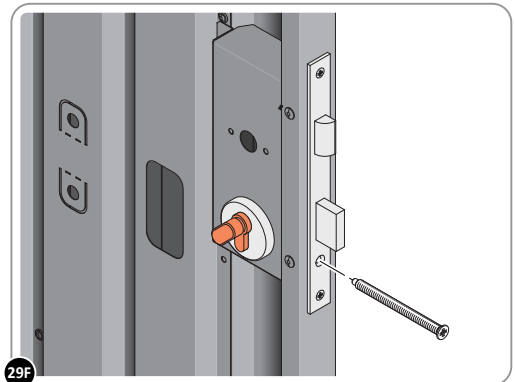
LOCATE AND SECURE EURO ESCUTCHEON 0203-34 AS SHOWN.



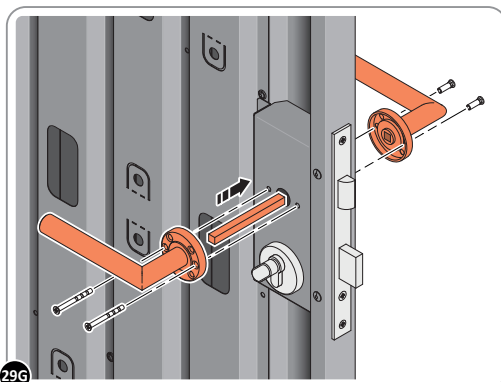
LOCATE EURO ESCUTCHEON COVER 0203-34 ONTO EURO CYLINDER AS SHOWN. PLEASE NOTE: THESE ARE PUSHED ON AND WILL CLICK INTO PLACE.



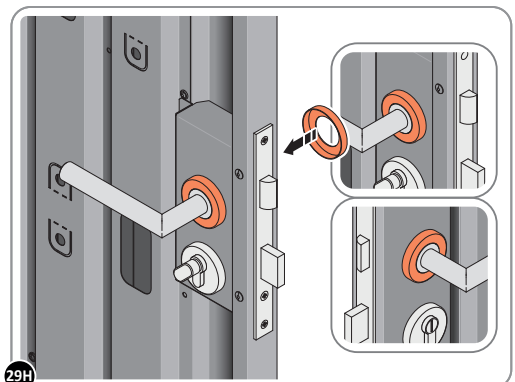
LOCATE EURO CYLINDER 0203-36 INTO DOOR APERTURE. IMPORTANT: ENSURE COVER IS FITTED AS SHOWN.



SECURE EURO CYLINDER 0203-36 AS SHOWN ABOVE. PLEASE NOTE: FIXING IS PART OF THE EURO MORTICE LOCK ASSEMBLY.



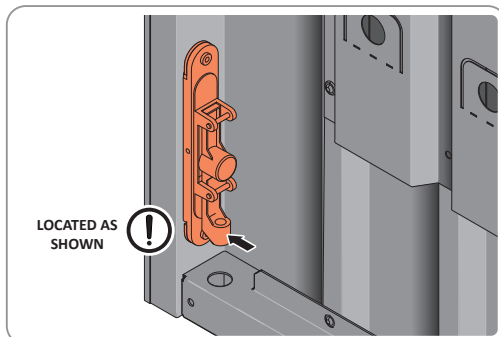
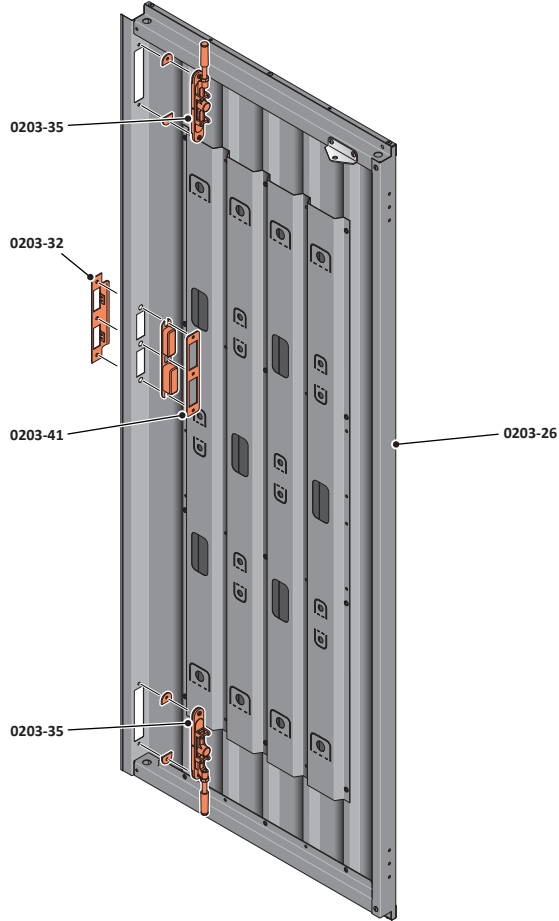
LOCATE AND SECURE DOOR HANDLE ASSEMBLY 0203-33 AS SHOWN.



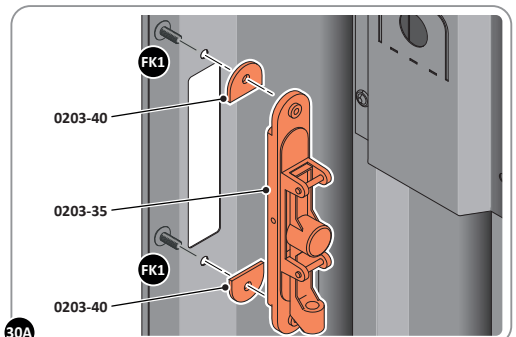
LOCATE COVER ONTO DOOR HANDLE AS SHOWN. PLEASE NOTE: THESE ARE PUSHED ON AND WILL CLICK INTO PLACE.

ASSEMBLY STAGE 30

LOCATE AND SECURE LEFT-HAND DOOR ASSEMBLY 0203-26 FURNITURE.



ENSURE THE PLUNGER INDICATED IS FACING THE BOTTOM OF THE DOOR, LOCATE AS SHOWN ABOVE AND SECURE USING ADJACENT FIXING METHOD.

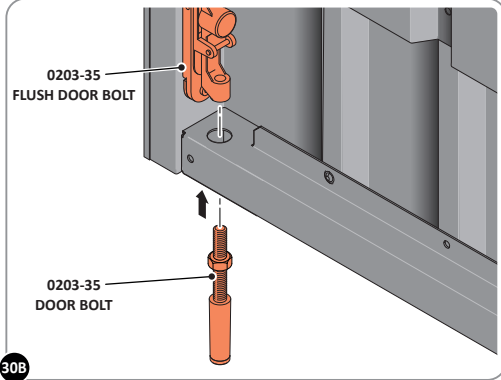


30A

SECURE EACH FLUSH DOOR BOLT ENSURING PLATE PACKER 0203-40 IS LOCATED AS SHOWN ABOVE.

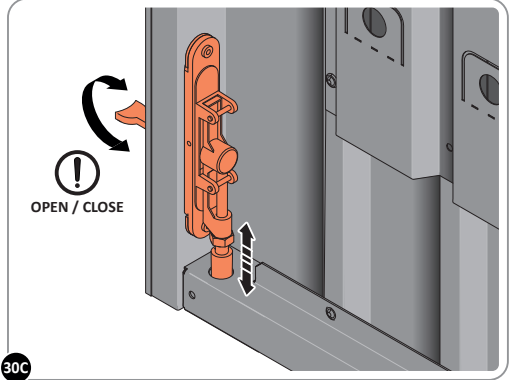
ASSEMBLY STAGE 30 CONTINUED

LOCATE AND SECURE LEFT-HAND DOOR ASSEMBLY 0203-26 FURNITURE.



30B

ATTACH DOOR BOLT ONTO FLUSH DOOR BOLT.

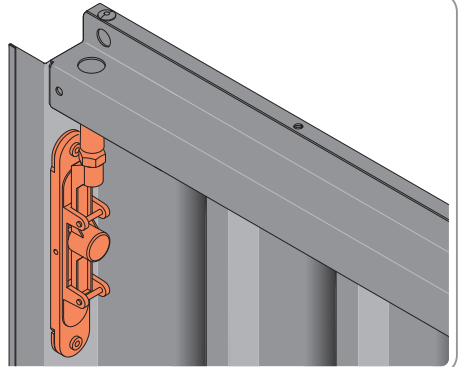


30C

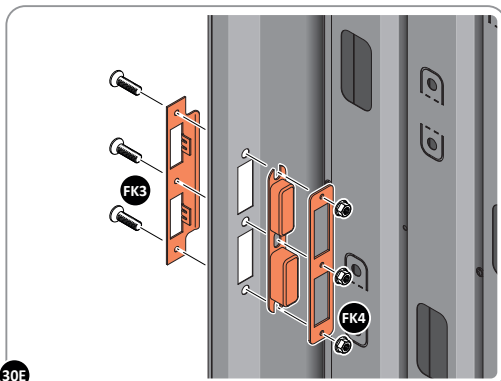
ENSURE FLUSH DOOR BOLT OPENS AND CLOSES.

REPEAT 30A / B / C FOR UPPER FLUSH DOOR BOLT

LOCATE AND SECURE UPPER FLUSH DOOR BOLT 0203-35 USING PROCEDURES 30A / B / C, PLUNGER WILL FACE UPWARDS TOWARDS THE TOP OF THE DOOR

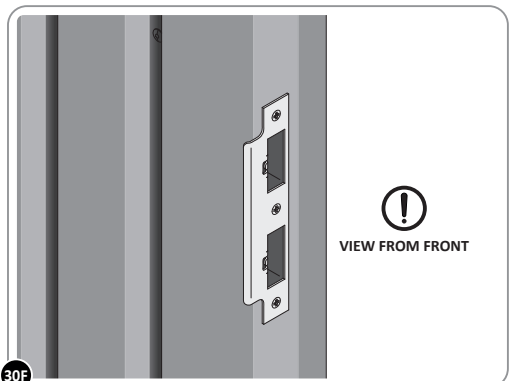


30D



30E

LOCATE AND SECURE EURO MORTICE LOCK 0203-32 AND CATCH PLATE COVER 0203-41 AS SHOWN ABOVE.



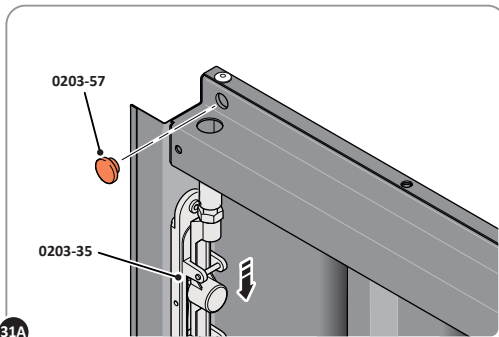
30F

SECURED EURO MORTICE LOCK 0203-32 AS SEEN FROM FRONT.

Assembly Guide

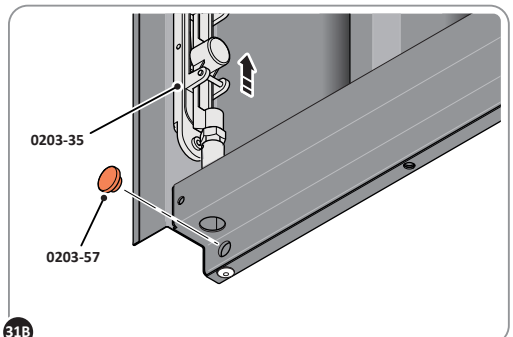
ASSEMBLY STAGE 31

LOCATE AND SECURE A DOOR GROMMET 0203-57 AT EACH LOCATION INDICATED.



31A

LOCATE DOOR GROMMET 0203-57 AT x2 LOCATIONS INDICATED.
PLEASE NOTE: 0203-35 FLUSH BOLTS ARE ALL IN THE UNLOCKED POSITIONS.



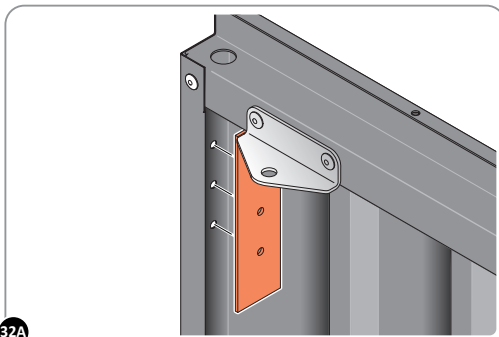
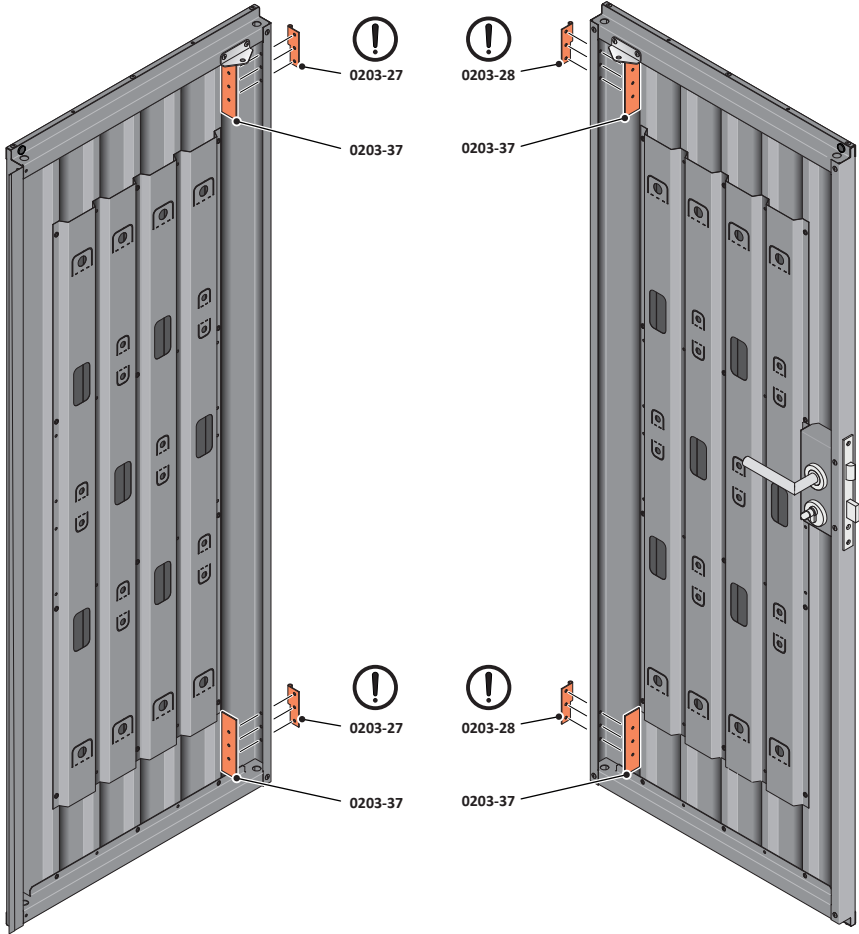
31B

LOCATE DOOR GROMMET 0203-57 AT x2 LOCATIONS AS SHOWN.
PLEASE NOTE: THESE ARE PUSHED ON AND WILL CLICK INTO PLACE.

Assembly Guide

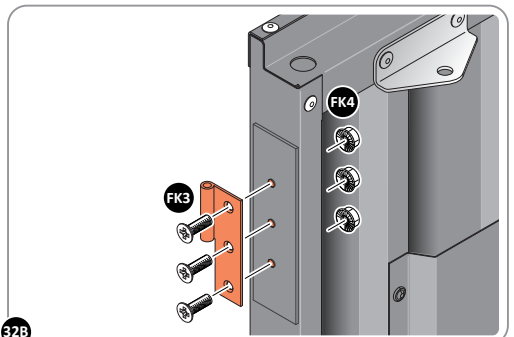
ASSEMBLY STAGE 32

LOCATE AND SECURE DOOR HINGES ONTO DOOR ASSEMBLIES.



32A

LOCATE DOOR HINGE PLATE 0203-37 WITHIN DOOR AS SHOWN.

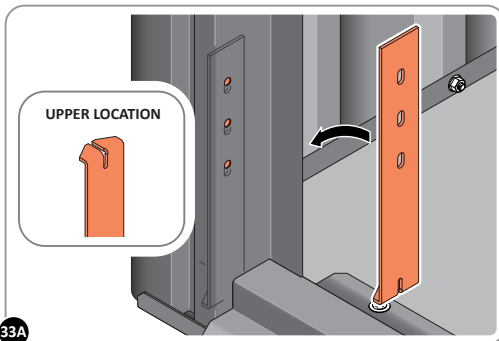
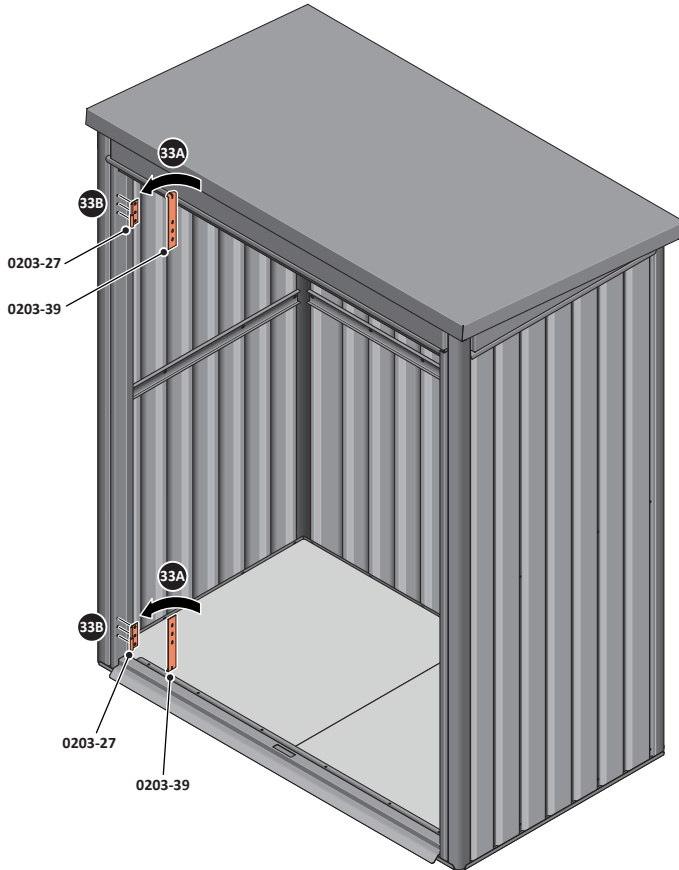


32B

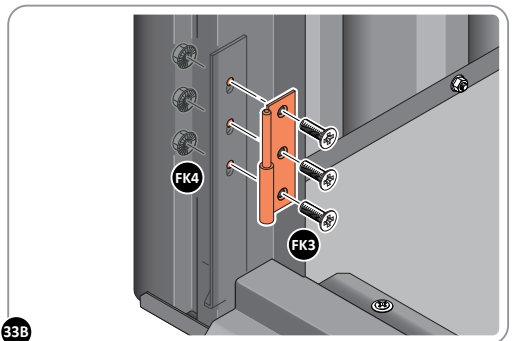
SECURE DOOR HINGE PLATE AND HINGE 0203-27 AND 0203-28 AS SHOWN. IMPORTANT: ENSURE CORRECT DOOR HINGE IS SECURED TO CORRECT DOOR.

ASSEMBLY STAGE 33

LOCATE AND SECURE DOOR HINGE 0203-27 & PLATE 0203-39 ONTO LEFT-HAND DOOR POST.



33A
LOCATE DOOR POST PLATE 0203-39 WITHIN DOOR FRAME AS SHOWN.
IMPORTANT: SLOT WITH FACE UPWARDS AT UPPER LOCATION.

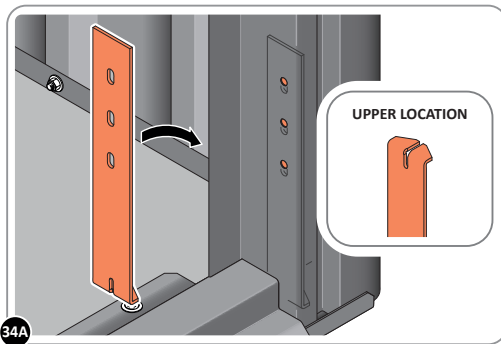
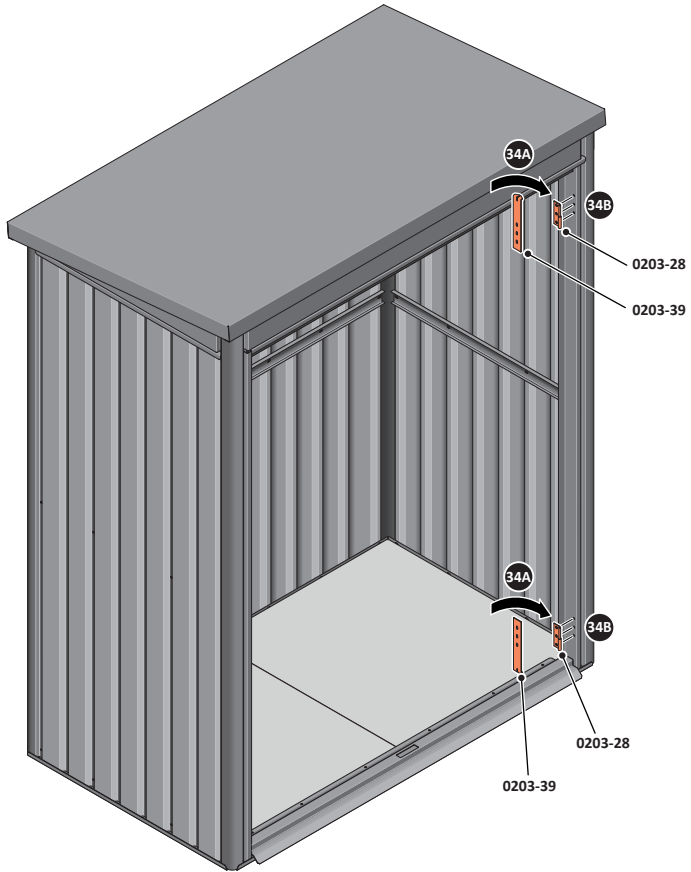


33B
SECURE DOOR POST PLATE AND HINGE 0203-27 AS SHOWN.
PLEASE NOTE: REPEAT EACH PROCEDURE FOR UPPER LOCATION.

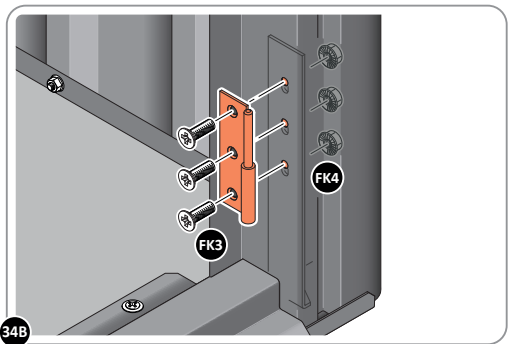
Assembly Guide

ASSEMBLY STAGE 34

LOCATE AND SECURE DOOR HINGE 0203-28 & PLATE 0203-39 ONTO RIGHT-HAND DOOR POST.



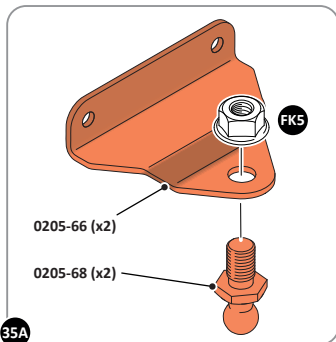
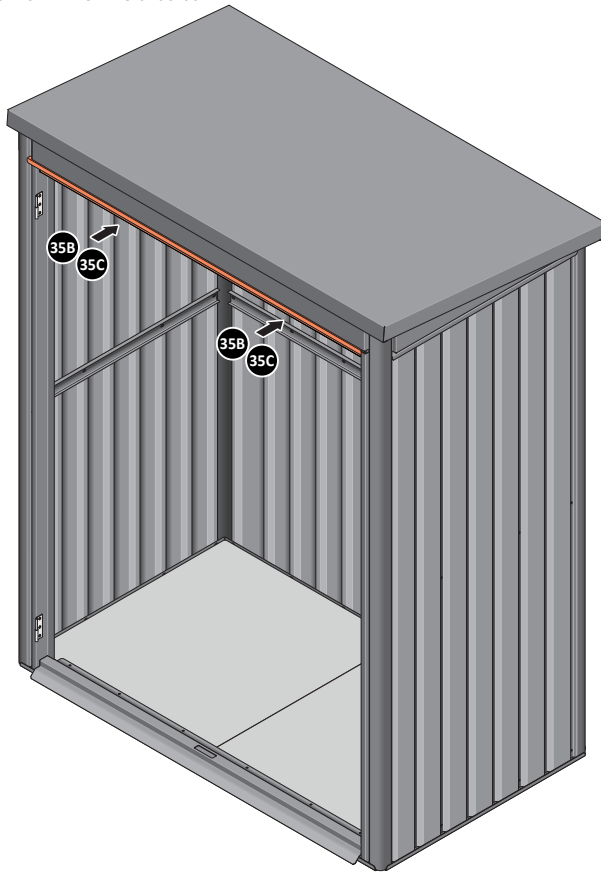
LOCATE DOOR POST PLATE 0203-39 WITHIN DOOR FRAME AS SHOWN.
IMPORTANT: SLOT WITH FACE UPWARDS AT UPPER LOCATION.



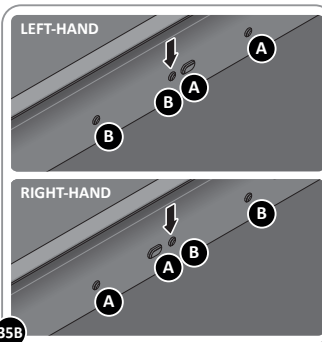
SECURE DOOR POST PLATE AND HINGE 0203-28 AS SHOWN.
PLEASE NOTE: REPEAT EACH PROCEDURE FOR UPPER LOCATION.

ASSEMBLY STAGE 35

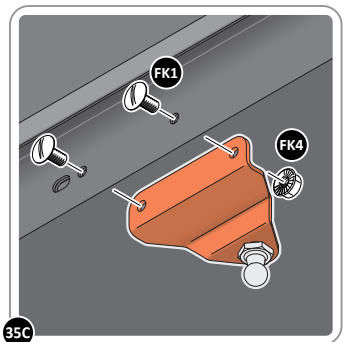
LOCATE AND SECURE GAS STRUT BRACKETS 0205-66.



35A
SECURE A GAS STRUT BALL JOINT 0205-68 ONTO EACH GAS STRUT BRACKET 0205-66.



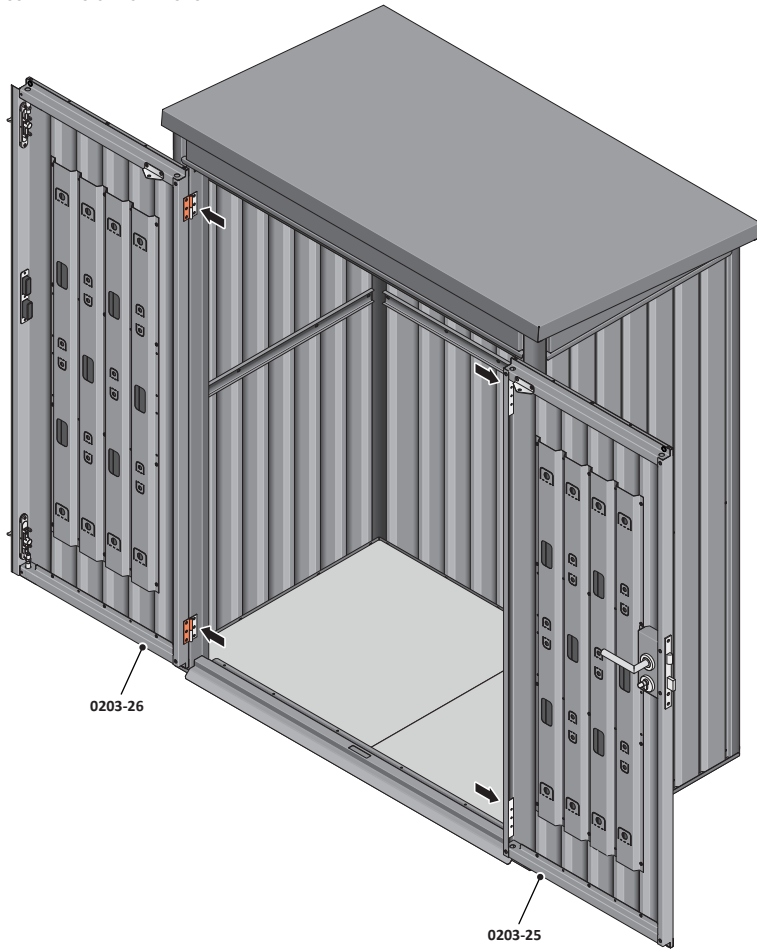
35B
DETERMINE DOOR OPENING ANGLE:
A: 90° OPENING OR B: 120° OPENING



35C
ALIGN EACH GAS STRUT BRACKET WITH RELEVANT FIXING HOLES, SECURE USING TYPICAL FIXING METHOD ABOVE.

ASSEMBLY STAGE 36

LOCATE DOOR ASSEMBLIES ONTO HINGES.



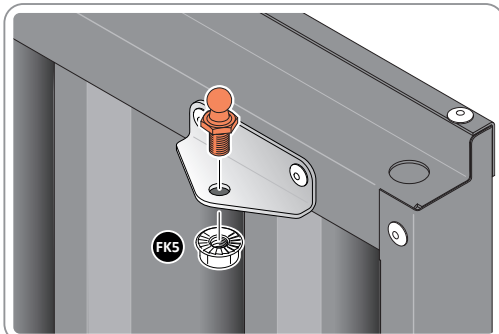
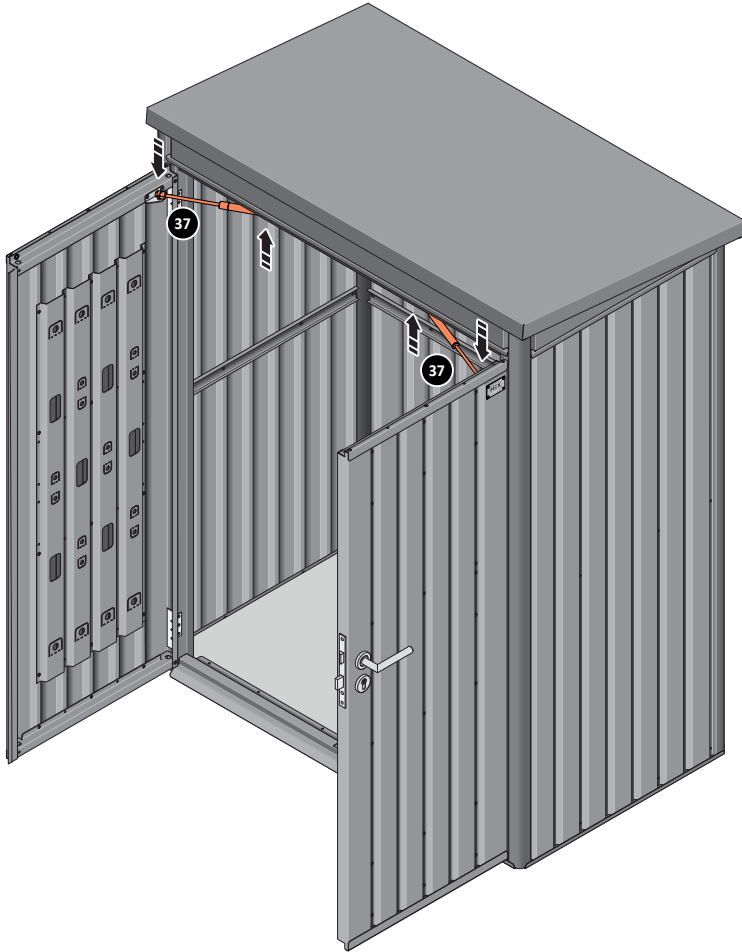
SLIDE EACH DOOR ASSEMBLY ONTO EACH OF THEIR RESPECTIVE HINGES.



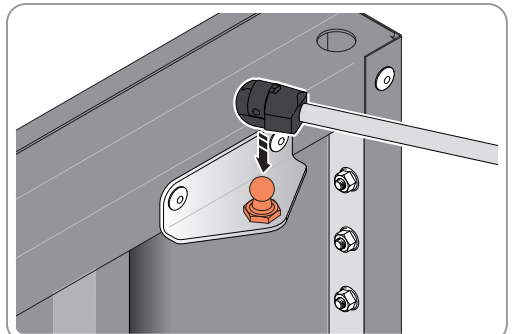
ASSEMBLED DOOR HINGE.

ASSEMBLY STAGE 37

LOCATE AND SECURE GAS STRUT 0205-63.



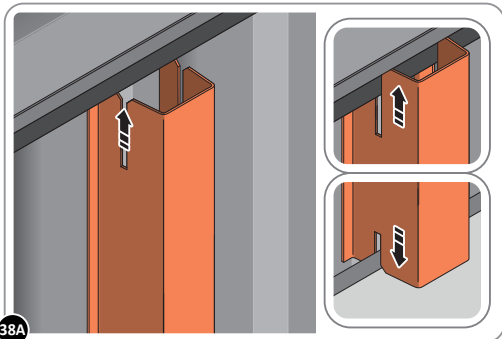
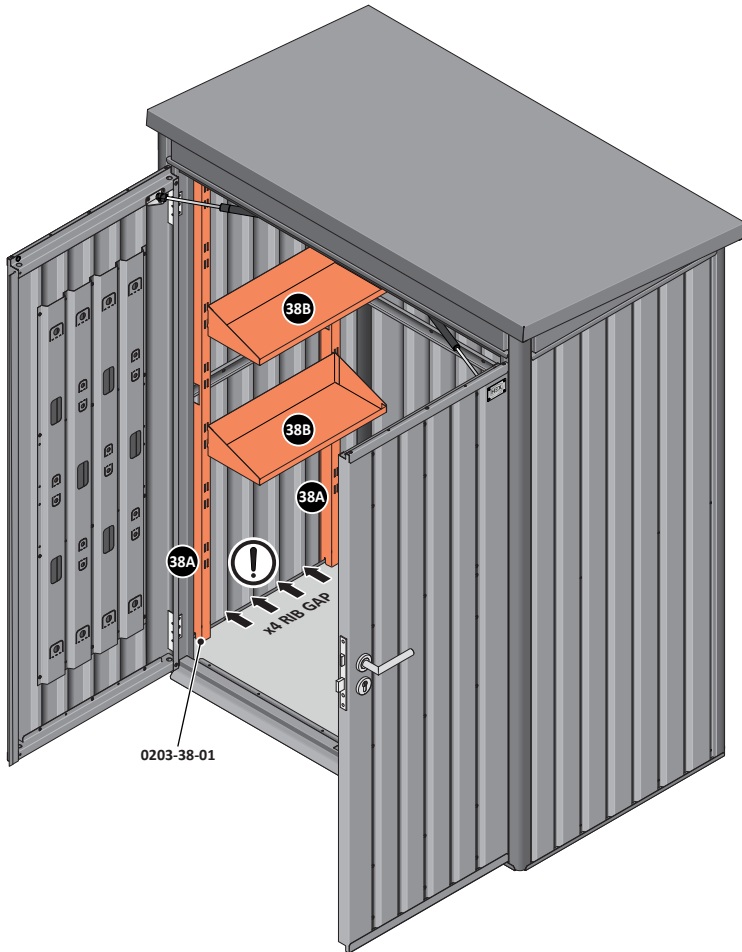
SECURE A GAS STRUT BALL JOINT 0205-68 ONTO EACH GAS STRUT BRACKET THAT IS PRE-RIVETED ONTO EACH DOOR ASSEMBLY.



FIX EACH GAS STRUT ONTO RELEVANT GAS STRUT BALL JOINTS.
PLEASE NOTE: PUSHES DOWN ON DOOR AND UPWARDS ON DOOR FRAME.

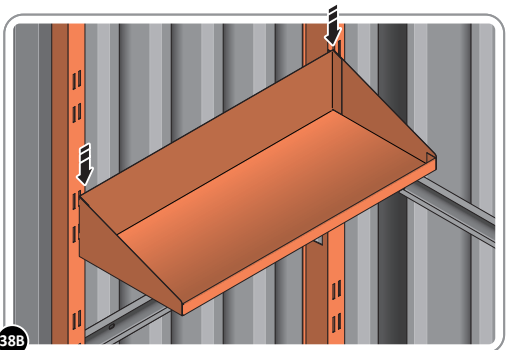
ASSEMBLY STAGE 38

LOCATE AND SECURE SHELF ASSEMBLY 0203-38.



38A

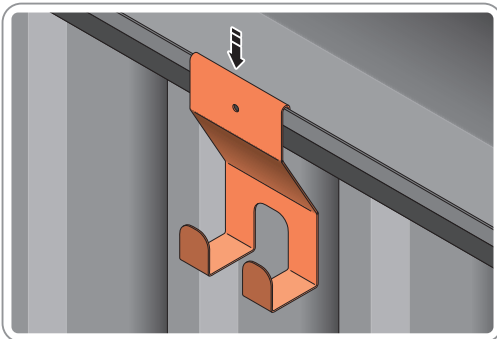
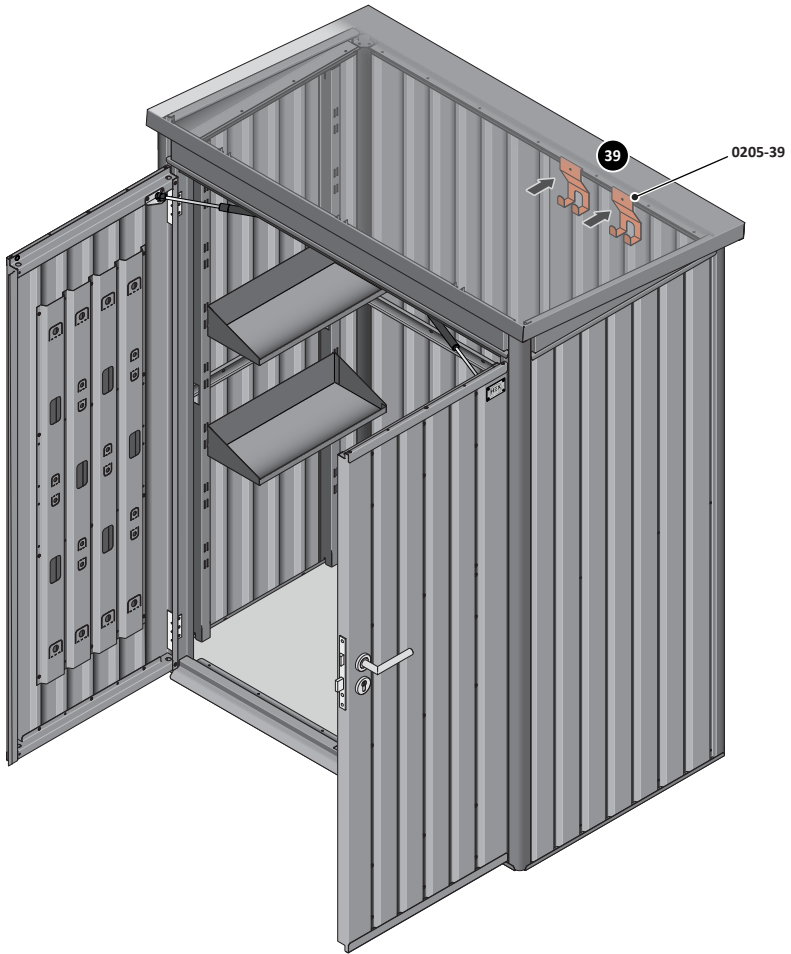
SLIDE SHELF POST UP INTO ROOF FRAME, ONCE THERE IS ENOUGH CLEARANCE AT THE BOTTOM LOCATE SHELF POST OVER FLOOR FRAME AND LOWER.



38B

LOCATE EACH SHELF 0203-38-02 ONTO SHELF POST AS DESIRED.
PLEASE NOTE: THE SHELF SIMPLY HOOKS ONTO THE POST.

ASSEMBLY STAGE 39
LOCATE TOOL HANGERS 0205-39.



HOOK TOOL HANGER 0205-39 ONTO ROOF FRAME AT DESIRED LOCATION.



IMPORTANT

ADJUST ALL COMPONENTS FOR BEST POSSIBLE FIT AND TIGHTEN ALL FASTENERS.

ONCE ALL FASTENERS HAVE BEEN CHECKED AND ARE SECURE THE ASSEMBLY IS COMPLETE.

WE RECOMMEND YOU ANCHOR YOUR SHED TO A SOLID CONCRETE BASE, GUIDANCE CAN BE FOUND ON PAGE '1'

Caring for your HEX Living product

Your **HEX Living product** is designed to stand the test of time, which is why we're happy to offer a **lifetime warranty** on our products. With zero maintenance required, simply assemble your HEX Living product, and enjoy putting it to great use in your garden.

Periodically, you might want to give your product a clean, these simple care tips are not essential to the performance of your product:

- Remove surface dirt with plain water using a jet wash or sponge, the coating on our products will ensure dirt or mud simply wipes away.
- If you've purchased a HEX Living metal storage solution, periodically clear the roof of fallen leaves.
- If your product has guttering, remove leaves and garden debris as you would on your home.

Ensure you have registered your HEX Living product

Using the unique serial number found on the cover of this document, please visit www.hexliving.co.uk to register your product and access the HEX Living lifetime warranty and video instructions.

Customer Service: Call: +44 (0) 1889 272 056



Doc Ref: 659/06/20