

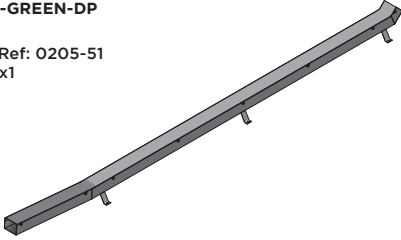
Large Metal Storage Shed

Drainpipe Kit Assembly Guide

Assembly Guide

DRAINPIPE KIT
0205-GREY-DP
0224-GREEN-DP

Part Ref: 0205-51
 Qty: x1



FIXING KIT: 0205-72

Part Ref: FK2
 No.8 x 13mm Eco Fix
 Qty: x7



TOOLS NEEDED



DRILL WITH
 PHILLIPS HEAD
 BIT.



MARKER.

SINGLE PERSON ASSEMBLY

MOST PROCEDURES WILL NOT REQUIRE TWO PEOPLE BUT IT MAY BE EASIER TO HAVE ASSISTANCE.



PERSONAL PROTECTION EQUIPMENT

WE ADVISE APPROPRIATE PERSONAL PROTECTIVE EQUIPMENT IS WORN DURING ASSEMBLY INCLUDING EYE PROTECTION AND GLOVES.

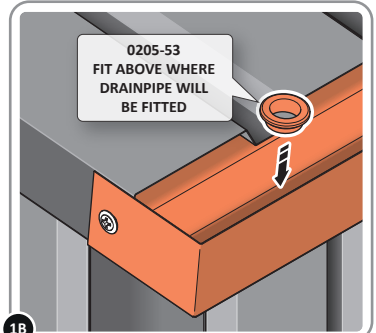
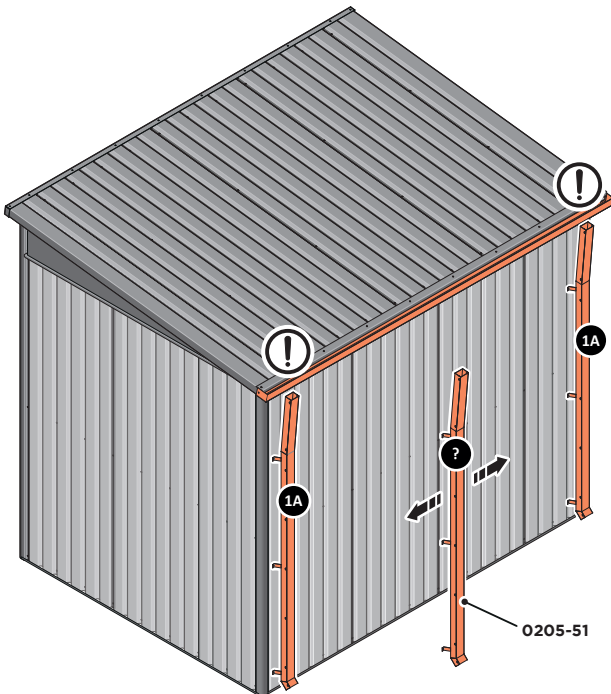


IMPORTANT: DETERMINE BEST LOCATION FOR DRAINPIPE. IF GROMMETS 0205-52 & 0205-53 HAVE ALREADY BEEN FITTED, PLEASE IGNORE ASSEMBLY STAGE 1 AND MOVE ONTO STAGE 2 INSTRUCTIONS.

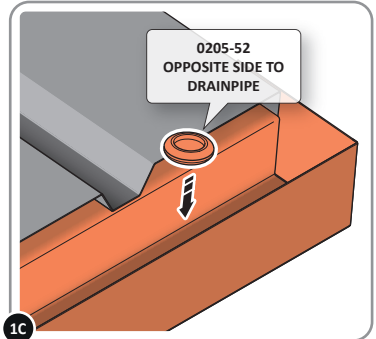


ASSEMBLY STAGE 1

DETERMINE WHICH SIDE DRAINPIPE 0205-51 WILL BE LOCATED.
 LOCATE GROMMETS 0205-52 & 0205-53.



LOCATE AN OPEN GROMMET INTO THE ROOF GUTTER ABOVE WHERE THE DRAINPIPE WILL BE LOCATED.

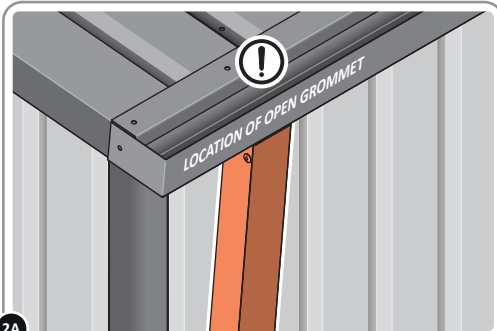
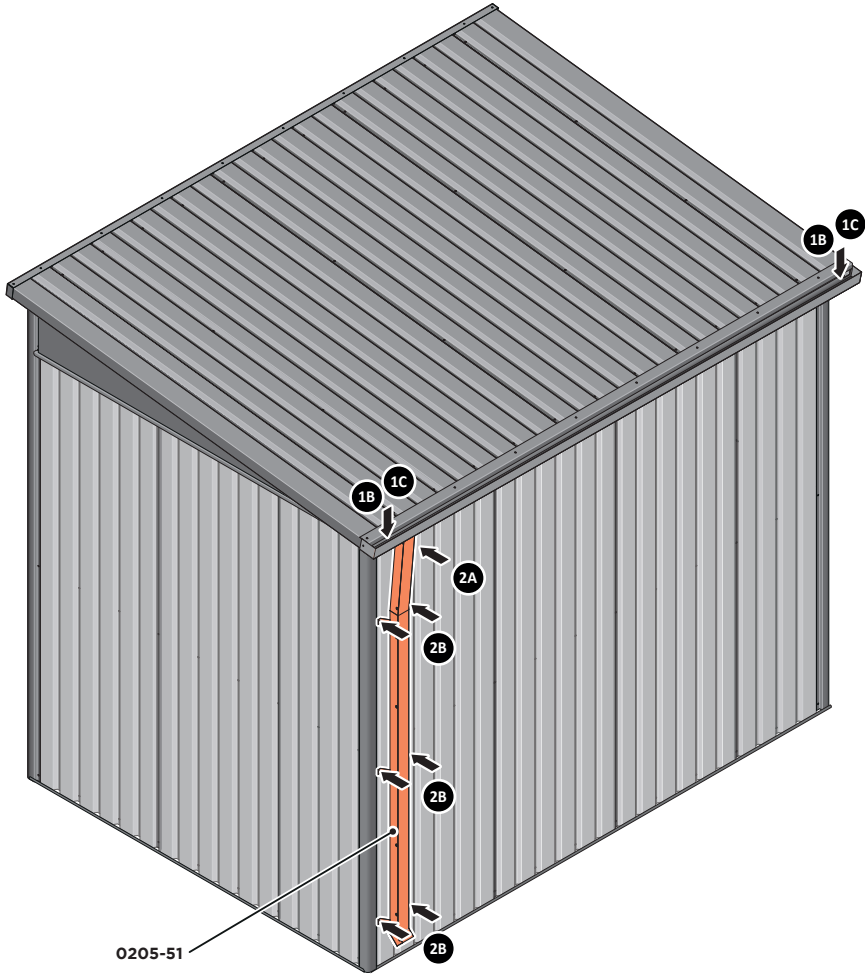


LOCATE A CLOSED GROMMET INTO THE ROOF GUTTER ON THE OPPOSITE SIDE TO THE DRAINPIPE LOCATION.

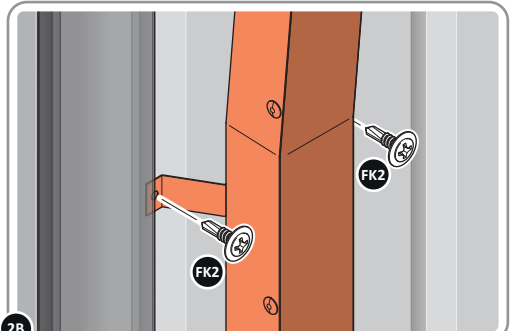
Assembly Guide

ASSEMBLY STAGE 2

LOCATE AND SECURE DRAINPIPE 0205-51 USING FIXING KIT 0205-72



ALIGN DRAINPIPE 0205-51 WITH OPEN GROMMET WITHIN ROOF GUTTER.
IMPORTANT: DRAINPIPE BRACKET IS LOCATED WITHIN SIDE PANEL RECESS.



SECURE DRAINPIPE AT x6 LOCATIONS INDICATED USING TYPICAL FIXING METHOD.
PLEASE NOTE: THE FIXING USED IS A SELF DRILLING COMPONENT.

Ensure you have registered your product

If you require any assistance
our telephone lines are open:

Mon - Fri, 8am - 5pm

+44 (0) 1889 272 056