

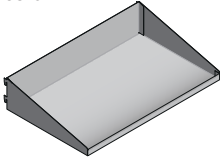
# **Large Metal Storage Shed**

**Shelf and Rail Kit Assembly Guide**

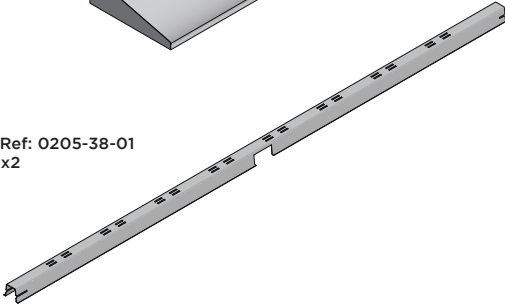
# Assembly Guide

**SHELF AND RAIL KIT:**  
0205-GREY-SRH  
0224-GREEN-SRH

Part Ref: 0205-38-02  
Qty: x2

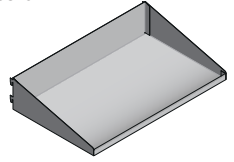


Part Ref: 0205-38-01  
Qty: x2



**SHELF KIT:**  
0205-GREY-SH  
0224-GREEN-SH

Part Ref: 0205-38-02  
Qty: x2

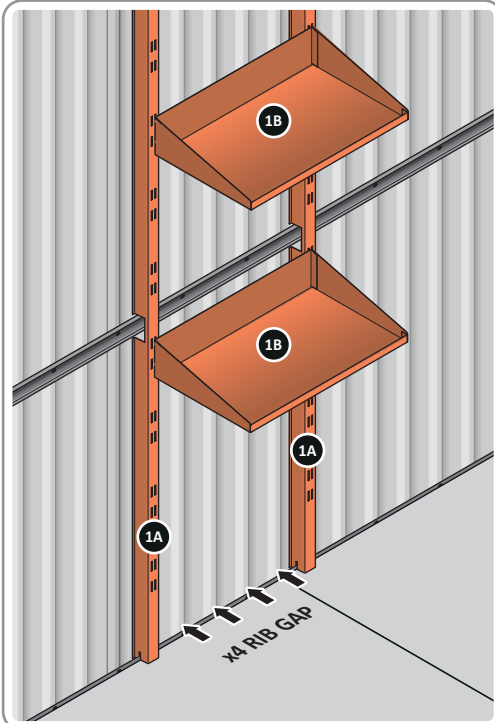


**Ensure you have registered your product**

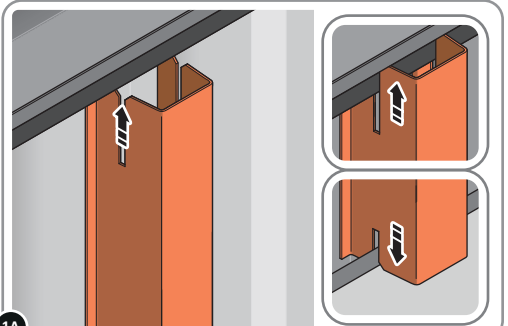
If you require any assistance our telephone lines are open:  
Mon - Fri, 8am - 5pm  
**+44 (0) 1889 272 056**

## ASSEMBLY STAGE 1

LOCATE AND SECURE SHELF ASSEMBLY 0205-38.

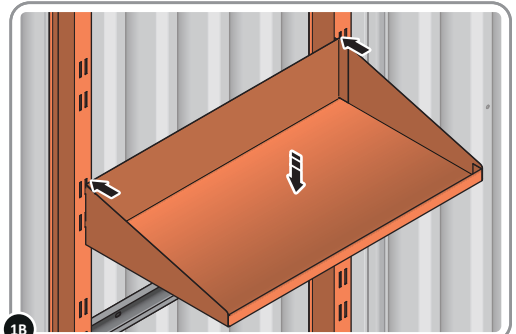


THE SHELF ASSEMBLY CAN BE LOCATED AS DESIRED, PLEASE DETERMINE THE MOST SUITABLE LOCATION AND ASSEMBLE AS SHOWN IN FIG.1A & 1B.



1A

SLIDE SHELF POST UP INTO ROOF FRAME, ONCE THERE IS ENOUGH CLEARANCE AT THE BOTTOM LOCATE SHELF POST OVER FLOOR FRAME AND LOWER.



1B

LOCATE EACH SHELF 0205-38-02 ONTO SHELF POST AS DESIRED. PLEASE NOTE: THE SHELF SIMPLY HOOKS ONTO THE POST.