

Horizontal Metal Storage Shed

Flooring Kit Assembly Guide

Assembly Guide

PARTS LIST

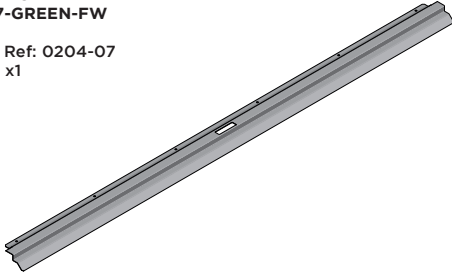
WOODEN FLOOR KIT

0204-GREY-FW

0217-GREEN-FW

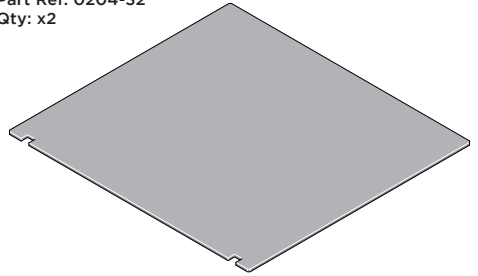
Part Ref: 0204-07

Qty: x1



Part Ref: 0204-32

Qty: x2



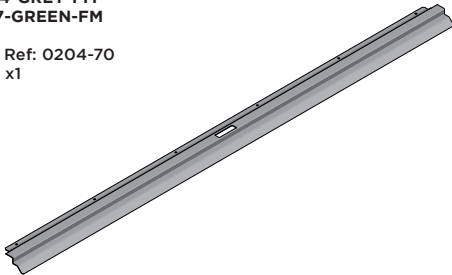
ALUMINIUM FLOOR KIT

0204-GREY-FM

0217-GREEN-FM

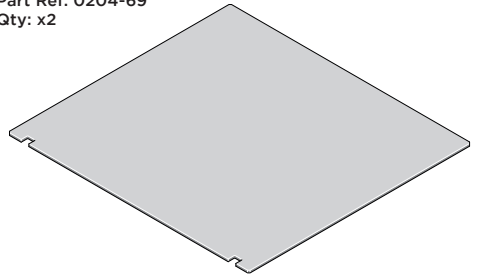
Part Ref: 0204-70

Qty: x1



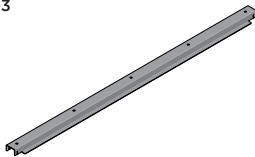
Part Ref: 0204-69

Qty: x2



Part Ref: 0204-03

Qty: x3



NEW ASSEMBLY KIT: 0205-71

Part Ref: FK1

3.9 x 22mm Self Drilling Screw

Qty: x26



Part Ref: FK2

No.8 x 13mm Eco Fix

Qty: x7



ORIGINAL ASSEMBLY KIT

Part Ref: FK1

M4 x 10mm Roofing Bolt

Qty: x2



Part Ref: FK7

M4 Serrated Flange Nut

Qty: x2

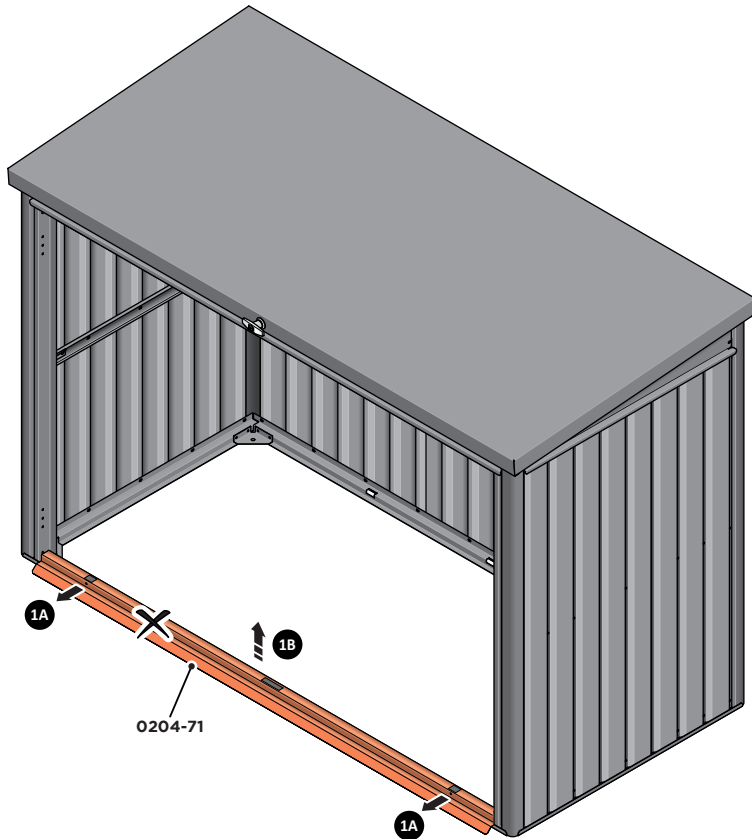


Assembly Guide

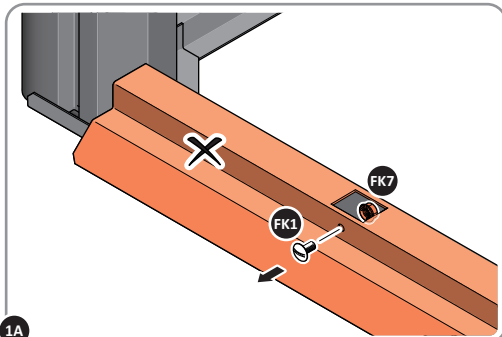
ASSEMBLY STAGE 1

LOCATE AND REMOVE DOOR STRIP 0204-71.

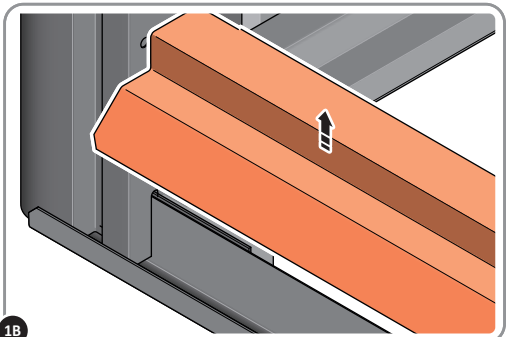
IMPORTANT: STAGE 1 IS ONLY RELEVANT IF YOU HAVE PURCHASED A NEW FLOORING KIT, AFTER THE SHED HAS BEEN FULLY ASSEMBLED.



IMPORTANT: IF THE FLOORING KIT CAME SUPPLIED WITH THIS PRODUCT, PLEASE IGNORE ASSEMBLY STAGE 1 AND MOVE ONTO STAGE 2 INSTRUCTIONS.



1A REMOVE NUT AND BOLT FROM DOOR STRIP AT x2 LOCATIONS INDICATED.

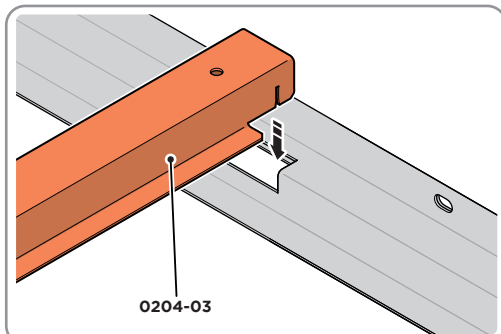
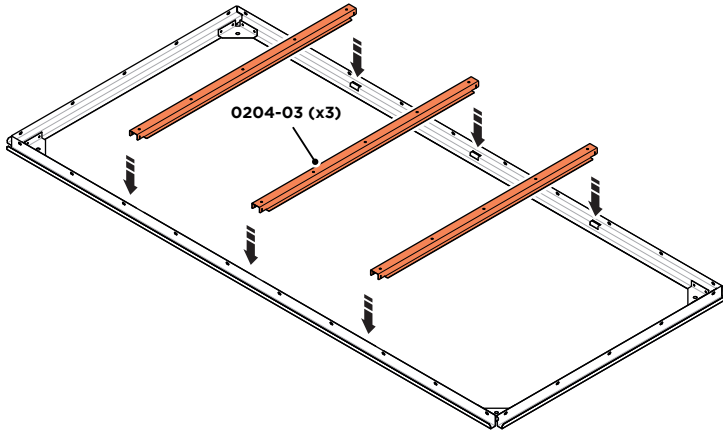


1B REMOVE DOOR STRIP 0204-71 FROM FLOOR PANELS AS SHOWN.

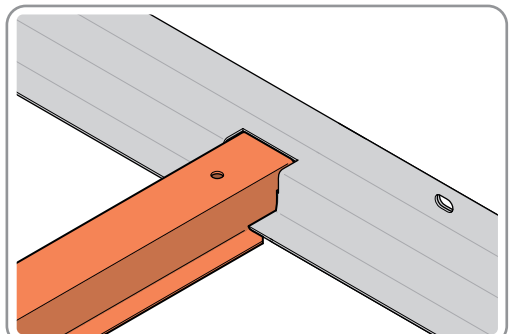
Assembly Guide

ASSEMBLY STAGE 2

LOCATE AND SECURE A FLOOR BRACE 0204-03 AT EACH LOCATION INDICATED.



SLOT EACH FLOOR BRACE 0204-03 INTO POSITION AS SHOWN ABOVE.

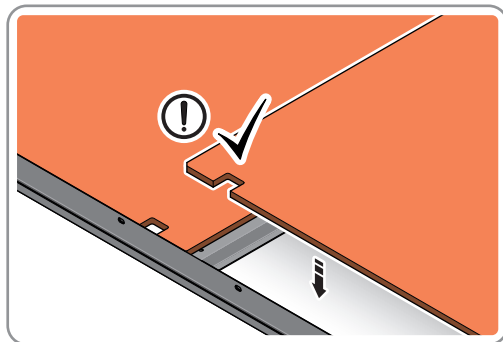
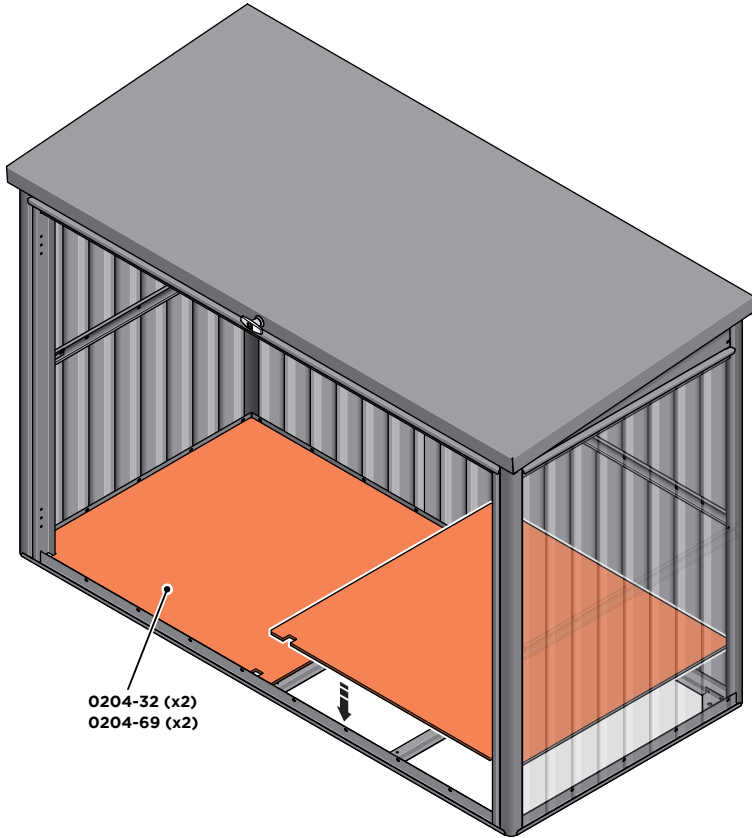


PLEASE NOTE: ENSURE TOP OF FLOOR BRACE IS LEVEL WITH TOP OF FLOOR RAIL.

Assembly Guide

ASSEMBLY STAGE 3

LOCATE EACH FLOOR PANEL 0204-32 OR 0204-69 AS SHOWN.

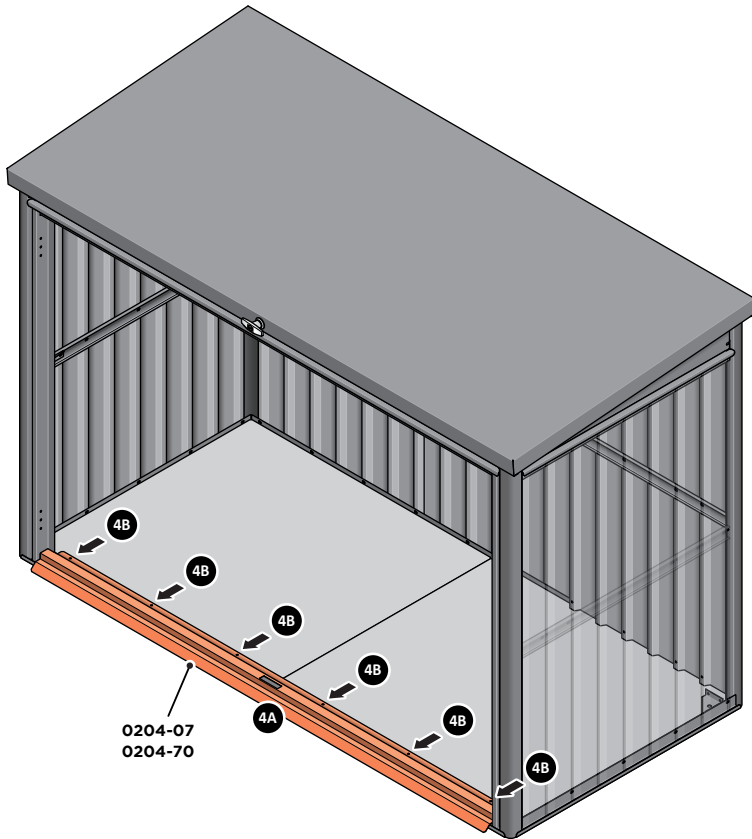


LOCATE EACH FLOOR PANEL 0204-32 OR 0204-69 INTO BASE OF STORAGE UNIT AS SHOWN.

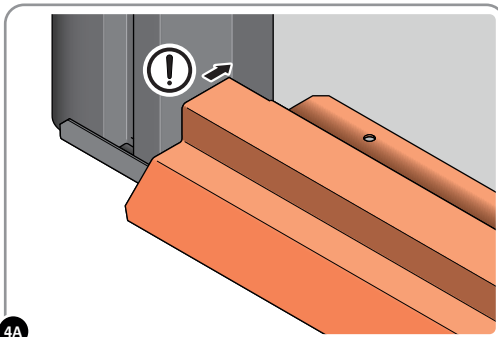
Assembly Guide

ASSEMBLY STAGE 4

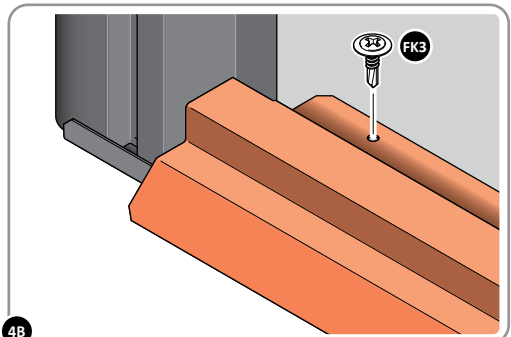
LOCATE AND SECURE DOOR STRIP 0204-07, 0204-70.



IMPORTANT: ONCE FLOOR PANELS ARE POSITIONED CORRECTLY, WE STRONGLY RECOMMEND YOU SECURE THE FLOORING TO THE BASE. FOLLOWING INSTRUCTIONS ON PAGE 7.



LOCATE DOOR STRIP 0204-07 OR 0204-70 AS SHOWN.
IMPORTANT: ENSURE DOOR STRIP IS PUSHED AGAINST DOOR POST RETURN.



SECURE DOOR STRIP ONTO FLOOR PANELS AT x6 LOCATIONS INDICATED.
PLEASE NOTE: THE FIXING USED IS A SELF DRILLING COMPONENT.

Securing Flooring to Base Cutout Template

ASSEMBLY STAGE 5

LOCATE AND SECURE FLOOR PANELS TO SHED BASE

TOOLS NEEDED



DRILL WITH PHILLIPS HEAD BIT.



MARKER.

SINGLE PERSON ASSEMBLY

MOST PROCEDURES WILL NOT REQUIRE TWO PEOPLE BUT IT MAY BE EASIER TO HAVE ASSISTANCE.

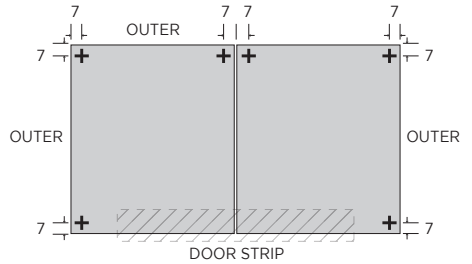


PERSONAL PROTECTION EQUIPMENT

WE ADVISE APPROPRIATE PERSONAL PROTECTIVE EQUIPMENT IS WORN DURING ASSEMBLY INCLUDING EYE PROTECTION AND GLOVES.

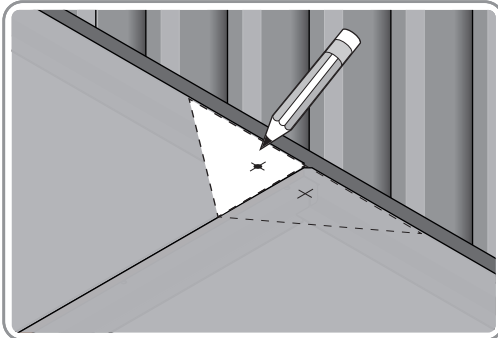


TYPICAL TWO PIECE FLOORING WITH SUGGESTED SCREW LOCATIONS (5), MEASUREMENTS IN (MM)



ASSEMBLY STAGE 5A

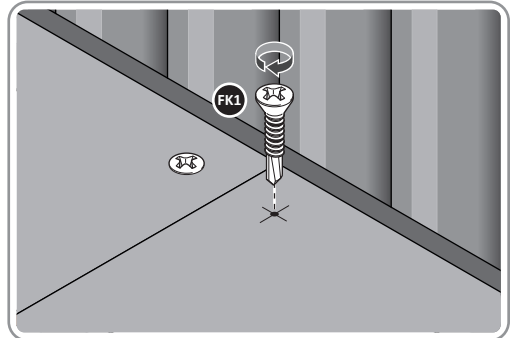
MARK OUT FIXING SCREWS LOCATIONS



USE TEMPLATE BELOW TO MARK OUT SUGGESTED LOCATIONS FOR SECURING FLOOR TO BASE.

ASSEMBLY STAGE 5B

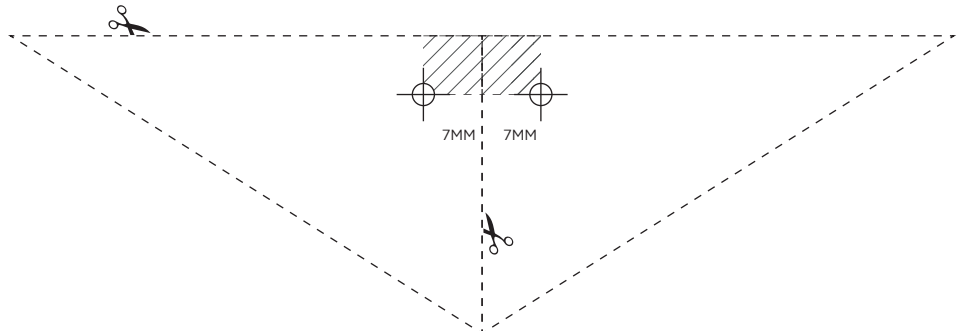
LOCATE FIXING SCREW AND DRILL TO FLOOR



USE DRILL TO SECURE FIXING SCREW FK1 TO EACH FLOOR PANEL MARKED.

CUT OUT TEMPLATE GUIDE BELOW

SHOWING SUGGESTED LOCATION HOLES FOR FIXING SCREWS (FK1), FOR DRILLING INTO FLOORING AND BASE.



Ensure you have registered your product

If you require any assistance
our telephone lines are open:

Mon - Fri, 8am - 5pm

+44 (0) 1889 272 056