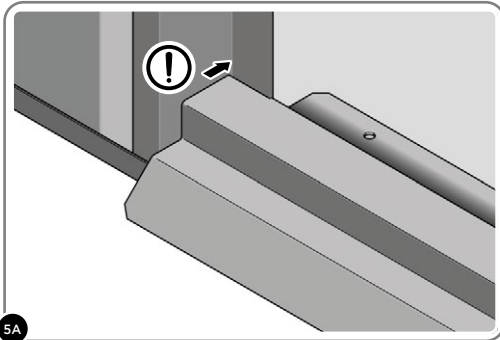
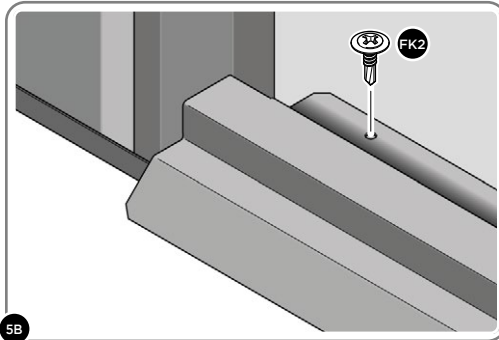


ASSEMBLY STAGE 5
LOCATE AND SECURE DOOR STRIP



LOCATE DOOR STRIP AS SHOWN.
IMPORTANT: ENSURE DOOR STRIP IS PUSHED AGAINST DOOR POST RETURN.



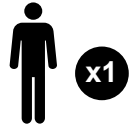
SECURE DOOR STRIP ONTO FLOOR PANELS AT X6 LOCATIONS INDICATED.
PLEASE NOTE: THE FIXING USED IS A SELF DRILLING COMPONENT.



Hixon

Technical Bulletin
TB001

Floor Securing Assembly Guide



TOOLS NEEDED



ENSURE ALL ITEMS LISTED ARE PRESENT PRIOR TO STARTING OF ASSEMBLY PROCEDURE

PART REF: FK1
3.9 X 22MM SELF DRILLING SCREW
QTY: X26



PART REF: FK2
NO.8 X 13MM ECO FIX
QTY: X7



PERSONAL PROTECTION EQUIPMENT

WE ADVISE APPROPRIATE PERSONAL PROTECTIVE EQUIPMENT IS WORN DURING ASSEMBLY INCLUDING EYE PROTECTION AND GLOVES.



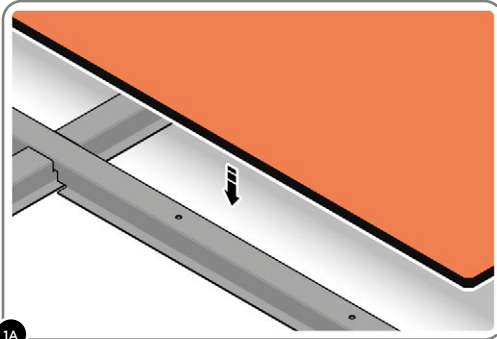
Eye Protection



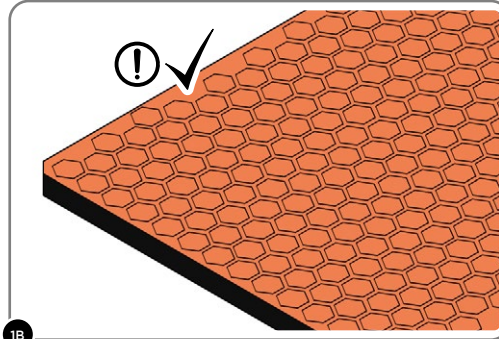
Gloves

ASSEMBLY STAGE 1

LOCATE REAR FLOOR PANELS



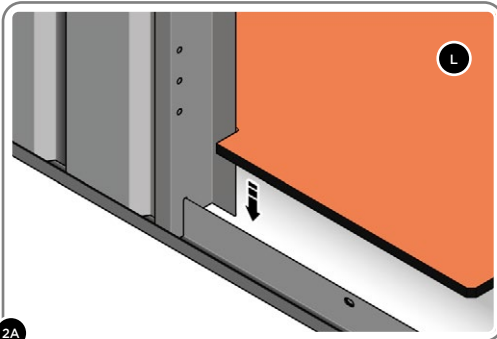
1A FIRST SLOT FLOOR PANELS INTO THE BACK HALF OF FLOOR FRAME. IMPORTANT: THESE FLOOR PANELS DO NOT HAVE A CUT-OUT.



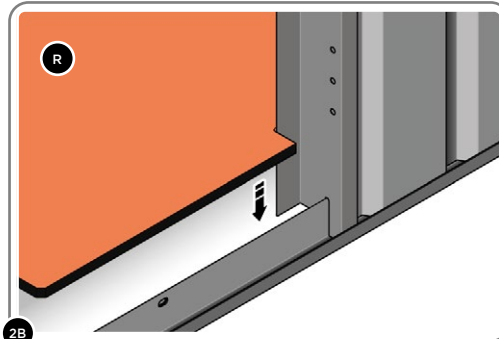
1B IMPORTANT: ENSURE THE FLOOR PATTERN IS FACE UP.

ASSEMBLY STAGE 2

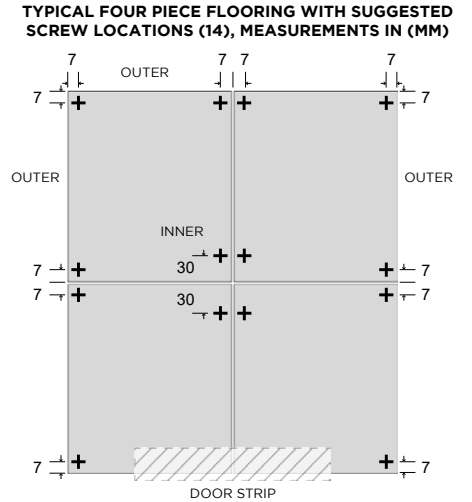
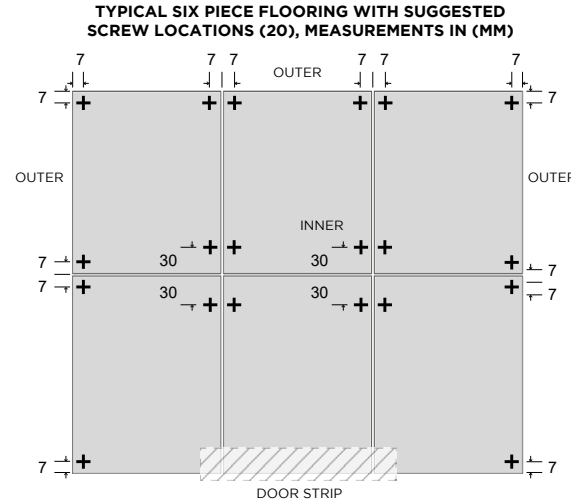
LOCATE FORWARD FLOOR PANELS



2A SLOT LEFT-HAND FLOOR PANEL INTO THE FRONT HALF OF FLOOR FRAME.

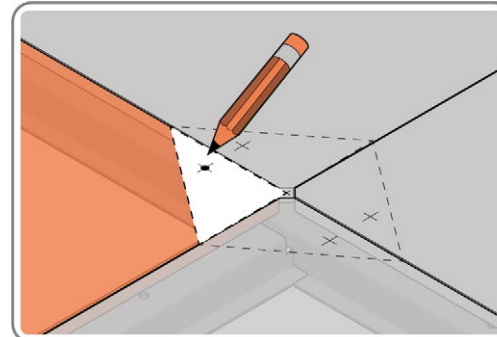


2B SLOT RIGHT-HAND FLOOR PANEL INTO THE FRONT HALF OF FLOOR FRAME.



ASSEMBLY STAGE 3

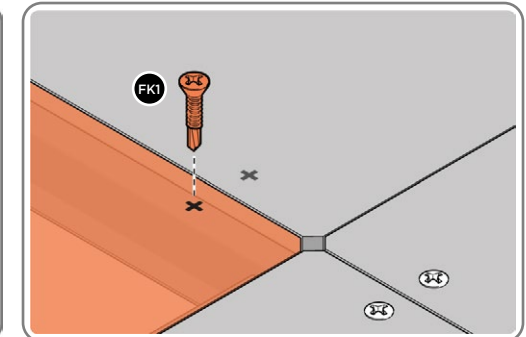
MARK OUT FIXING SCREWS LOCATIONS



USE TEMPLATE BELOW TO MARK OUT SUGGESTED LOCATIONS FOR SECURING FLOOR TO BASE. (NOTE: ONLY MARK INNER CORNER PANELS - 7 X 30 MM)

ASSEMBLY STAGE 4

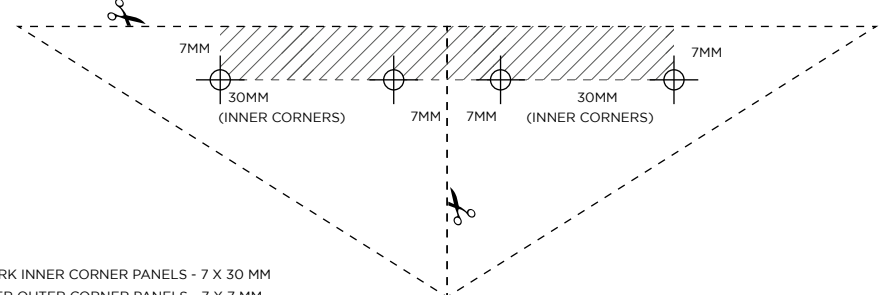
LOCATE FIXING SCREW AND DRILL TO FLOOR



USE DRILL TO SECURE FIXING SCREW FK1 TO EACH FLOOR PANEL MARKED.

CUT OUT TEMPLATE GUIDE BELOW

SHOWING SUGGESTED LOCATION HOLES FOR FIXING SCREWS (FK1), FOR DRILLING INTO FLOORING AND BASE.



NOTE:

ONLY MARK INNER CORNER PANELS - 7 X 30 MM
ALL OTHER OUTER CORNER PANELS - 7 X 7 MM