



The Complete Sandon Furniture Range



Care and User Guide



Customer Service: +44 (0) 1889 272 056

IMPORTANT: PLEASE REGISTER YOUR HEX LIVING PRODUCT AFTER ASSEMBLY

Using the unique serial number, simply register your product at www.hexliving.co.uk or use the QR code above to access the HEX Living lifetime warranty and online support.

Affix Serial Number
HERE

Contents

1.	Individual Products	3-5
2.	Protective Covers	5-6
3.	Installation Advice	6
4.	Assembly Guidelines	6-7
5.1	Care Advice - General	7
5.2	Care Advice - Outdoor Cushion Precautions	8
6.	Limited Warranty	8

TWO PERSON ASSEMBLY

Most procedures will not require two people; however, heavy items will require a minimum of two persons.



PERSONAL PROTECTION EQUIPMENT

We advise appropriate personal protective equipment is worn during assembly.



Gloves

IMPORTANT: Keep this manual for future reference.



PRIOR TO ASSEMBLY:

Please read this guide thoroughly before beginning assembly and ensure that all required components are present.

Pre-assembled parts must not be modified or altered by the user.

If you require assistance at any stage, contact our Customer Service team on +44 (0) 1889 272 056.

1. Individual Products

Two Seater Sofa

Size: W 160 x D 97 x H 81cm

Product Code:

Anthracite Grey: 0260-1S-AG

Sage Green: 0260-1S-SG

Pebble Grey: 0260-1S-PG

Graphite Black: 0260-1S-GB

Porcelain White: 0260-1S-PW

Cushion Code:

Grey: 0232-CUSH-1S-GY

Oatmeal: 0232-CUSH-1S-OM



Chair

Size: W 80 x D 97 x H 81cm

Product Code:

Anthracite Grey: 0260-1C-AG

Sage Green: 0260-1C-SG

Pebble Grey: 0260-1C-PG

Graphite Black: 0260-1C-GB

Porcelain White: 0260-1C-PW

Cushion Code:

Grey: 0232-CUSH-1C-GY

Oatmeal: 0232-CUSH-1C-OM



Bench

Size: W 120 x D 50 x H 43cm

Product Code:

Anthracite Grey: 0260-1BL-AG

Sage Green: 0260-1BL-SG

Pebble Grey: 0260-1BL-PG

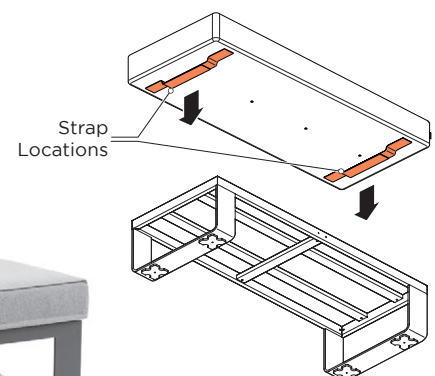
Graphite Black: 0260-1BL-GB

Porcelain White: 0260-1BL-PW

Cushion Code:

Grey: 0232-CUSH-1BL-GY

Oatmeal: 0232-CUSH-1BL-OM



CAUTION:

Whilst every effort has been made in the manufacture of your appliance to remove any sharp edge, you should handle all components with care to avoid accidental injury.

1. Individual Products (Continued)

Footstool

Size: W 60 x D 60 x H 46cm

Product Code:

Anthracite Grey: 0260-1F-AG

Sage Green: 0260-1F-SG

Pebble Grey: 0260-1F-PG

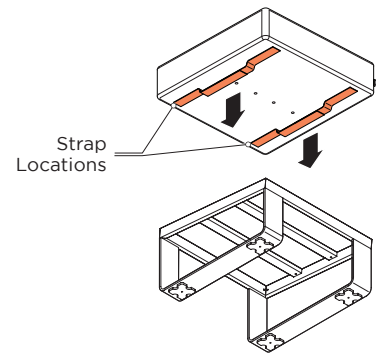
Graphite Black: 0260-1F-GB

Porcelain White: 0260-1F-PW

Cushion Code:

Grey: 0232-CUSH-1F-GY

Oatmeal: 0232-CUSH-1F-OM



Rectangular Table

Size: W 150 x D 90 x H 45cm

Product Code:

Anthracite Grey: 0260-RT-AG

Pebble Grey: 0260-RT-SG

Olive Green: 0260-RT-PG

Graphite Black: 0260-RT-GB

Porcelain White: 0260-RT-PW



Square Table Small

Size: W 90 x D 90 x H 45cm

Product Code:

Anthracite Grey: 0260-STS-AG

Pebble Grey: 0260-STS-SG

Olive Green: 0260-STS-PG

Graphite Black: 0260-STS-GB

Porcelain White: 0260-STS-PW



Side Table

Size: W 45 x D 45 x H 45cm

Product Code:

Anthracite Grey: 0260-ST-AG

Sage Green: 0260-ST-SG

Pebble Grey: 0260-ST-PG

Graphite Black: 0260-ST-GB

Porcelain White: 0260-ST-PW



1. Individual Products (Continued)

Fire Pit Tower

Size: W 45 x D 45 x H 80cm

Product Code:

Anthracite Grey: 0260-FPT-AG

Sage Green: 0260-FPT-SG

Pebble Grey: 0260-FPT-PG

Graphite Black: 0260-FPT-GB

Porcelain White: 0260-FPT-PW

Assembly:

Refer to the fire pit tower manual.



2. Protective Covers

A range of high-quality, heavy-duty, waterproof outdoor covers meticulously designed to perfectly fit all your HEX Living products offering all year-round protection.

Product Description:

Bench Large Cover

Chair Cover

Footstool Cover

Recliner Cover

Two Seater Sofa Cover

Corner Sofa Cover

Fire Pit Table Cover

Side Table Cover

Product Code:

0232-COVER-1BL

0232-COVER-1C

0232-COVER-1F

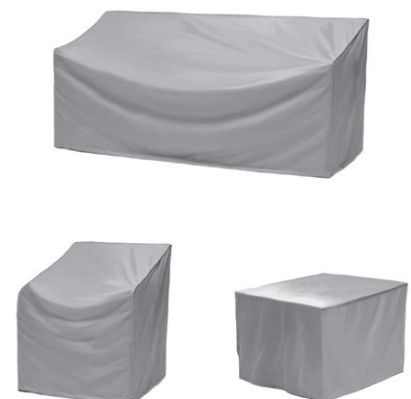
0232-COVER-1R

0232-COVER-1S

0232-COVER-CS

0232-COVER-FT

0232-COVER-ST



2. Protective Covers (Continued)

Key Features:

- Perfect fit: Tailored specifically to fit your HEX Living product for optimal coverage.
- Robust construction: Made from a weatherproof and breathable 750 denier polyester fabric for exceptional durability.
- UV stabilized: Treated to resist fading caused by sun exposure.
- Breathable mesh air vents: Minimalise condensation buildup due to temperature fluctuations, reducing moisture and helping to prevent mildew.
- Waterproof: Provides all-weather protection, guarding against rain, snow, dust, and grime.
- Made in the UK: Manufactured using high-quality materials and expertise, ensuring reliable performance for whatever the British weather throws at you.

For more information: Contact our customer service team on +44 (0) 1889 272 056.

Reference: 699-0836FCL - Outdoor furniture cover sample leaflet.

3. Installation Advice



Before beginning the assembly, check that you have the correct components. If for any reason you need assistance, please contact our customer service team on +44 (0) 1889 272 056.

Important Information

Note: The safe operational requirements, warnings & cautions. Use the product correctly and with care for the purpose for which it is intended. Failure to do so may cause damage and/or personal injury and will invalidate the warranty. Please keep these documents safe for future use.

Safety Instructions

Cautions and instructions in this manual cannot cover all possible situations and conditions that may occur. Common sense and caution are factors which cannot be built into these products.

4. Assembly Guidelines

- Please read these instructions carefully before assembly and use.
- Before assembling your garden furniture, ensure all plastic wrapping and protective film are fully removed. Removal of clutter, debris and sharp objects, to reduce damaging components during assembly.
- Find a large, clean, and level surface to assemble your garden furniture. ensure you have enough space to work safely and efficiently.

4. Assembly Guidelines (Continued)

Some components of your furniture can be large or heavy. For safety and ease, we recommend having two people assemble the product. This helps prevent injury and reduces the risk of damaging parts during assembly.

- Handle with care: Avoid dragging pieces across hard surfaces. Lift and position components gently to avoid injury or damage,
- Follow the assembly instructions and use the recommended tools. Avoid improvising with sharp instruments that could scratch and damage the furniture or cause injury.
- Always wear appropriate safety gloves during assembly, some edges and corners may be sharp and can cause minor cuts if handled without protection.
- Each component is designed to fit smoothly, forcing parts may result in damage to the furniture.
- When applicable, tighten all components by hand first. Once all steps are completed, go back and fully tighten till firmly secure with the recommended handtool.
- **Note:** For specific guidance relating to fire pit table assembly, please refer to the separate manual.

5.1. Care Advice - General

Congratulations on purchasing your new HEX Living product.

Designed and built to stand the test of time, HEX Living products are low maintenance; requiring little more than a periodic clean to keep them looking their very best.

Here's some advice on how to look after your items:

- Regularly wipe down metal frames with detergent-free, warm soapy water and a non-abrasive sponge to clean. Avoid using bleach, abrasive cleaners or pressure washing.
- Perform maintenance checks at least once a year and ensure all fixings are secure.
- Clean cushions using a soft brush and a mild fabric cleaner.
- To avoid permanent stains, clean up spillages immediately.
- Always dry your furniture completely to prevent moisture build-up, especially before covering or storing.
- Place coasters beneath glasses and tableware to prevent the marking your table top.

Important information

- Please open with care, avoid using sharp tools like Stanley knives or scissors, as they may accidentally damage your new garden furniture. Such damage is not covered under warranty.
- We recommend you use covers to protect your outdoor furniture from weather damage, when not in use. Covers must be removed periodically to minimise moisture build up.
- Remove garden furniture covers with care, whilst durable, they can rip when removed with excessive force.

5.2. Care Advice - Outdoor Cushion Precautions

Outdoor cushions are designed for comfort and style, but they're not totally weatherproof. Prolonged exposure to moisture and direct sunlight can lead to water damage, mould and fading. Our outdoor cushions have UV-Resistant and shower-proof qualities, however they are only designed to handle occasional exposure to moisture, and are not designed to withstand heavy downpours.

To protect from cushions from weather-damage, consider these simple precautions:

- **Storage:** Use a waterproof deck box, shed or bring cushions indoors during heavy downpours.
- **Covers:** Consider purchasing our HEX Living made-to-measure removable covers, made from high quality waterproof fabric, washable and long lasting, see page 6 for more details.
- **Drying:** After exposure to moisture, unzip and air-dry cushions completely.
- **Clean regularly:** Wipe down with mild soap and water; avoid harsh chemicals.
- **Elevate off wet surfaces:** Prevent water pooling and mildew by keeping cushions raised.



White Residue: Our outdoor cushions have been treated with a fire-retardant protective barrier, so sometimes after drying you may notice small white patches on your cushions. These can easily be removed by using a clean, damp cloth to gently rub the affected area.

Once wiped clean allow the cushion to air dry naturally. Repeat the process if any white patches remain, until they are fully removed. This simple cleaning method should help restore your cushions to their intended appearance.

By following these simple steps: Your outdoor cushions should stay dry and protected from water damage — season after season.

For clever outdoor storage solutions visit our website, or contact our customer service team on **+44 (0) 1889 272 056**.

6. Limited Warranty

HEX Living products are supplied with a lifetime warranty on all metal components and a one-year warranty on cushions, gas, and mechanical elements, commencing from the date of purchase.

The warranty covers manufacturing defects and faulty components and extends to the replacement of these parts only. Costs associated with shipping, installation, replacement of worn parts, and any other related expenses are not covered under this warranty.

The warranty will be void in cases of misuse, mishandling, or if any unauthorised modifications have been made to the product.

IMPORTANT: Keep this manual for future reference.