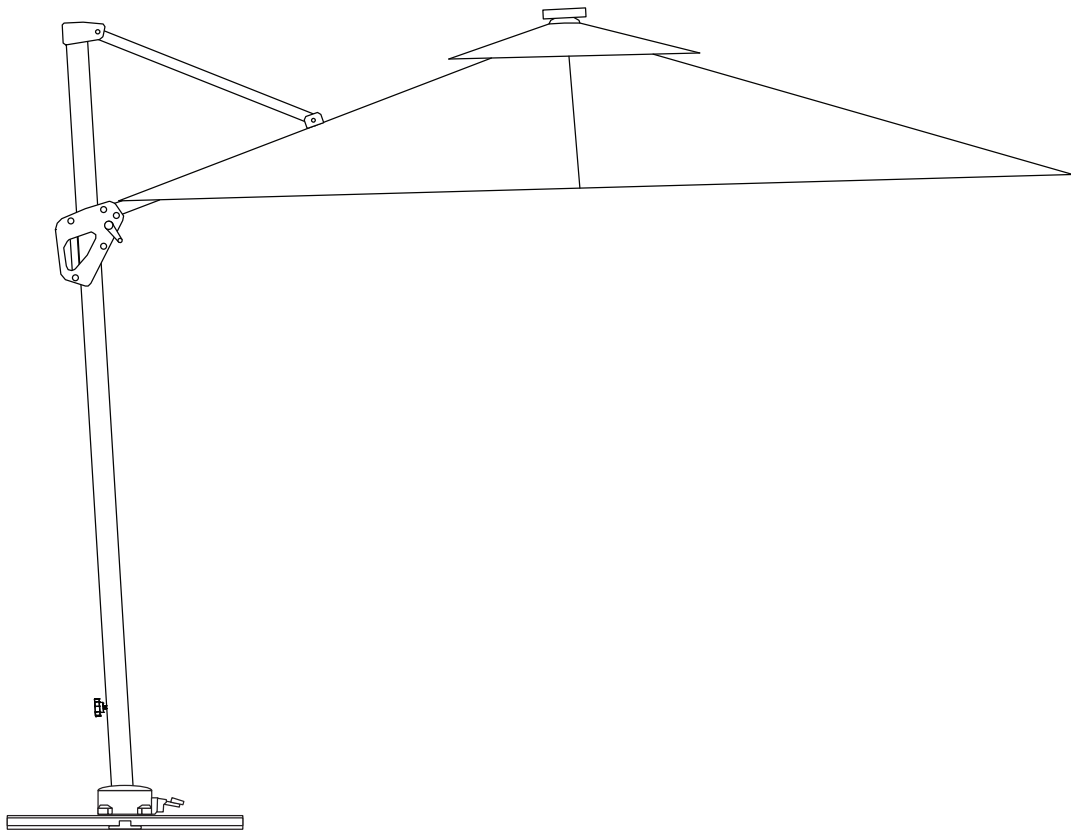




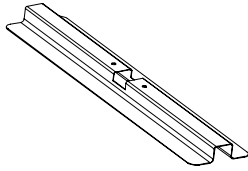
3 Metre x 3 Metre LED Parasol



USER INSTRUCTIONS

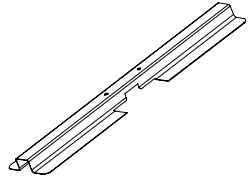
Contents

A



1 x Base cross member lower

B



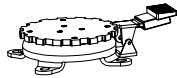
1 x Base cross member upper

C



1x Main Stem

D



1 x Turntable

E



4 x M8 x 14mm Bolt

F



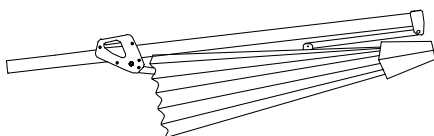
4 x M8 x 20mm Bolt

G



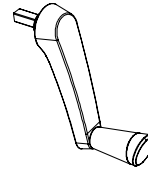
8 x M8 Washer

H



1 x Parasol

I



1 x Winder

J



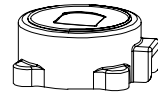
1 x Hand Wheel

K



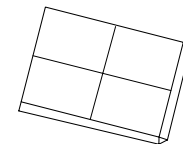
1 x Allen Key

L



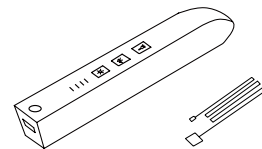
1 x Cover Moulding

M



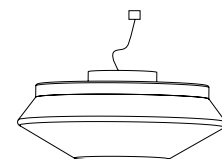
1 x Solar Panel

N



1 x LED Controller

O

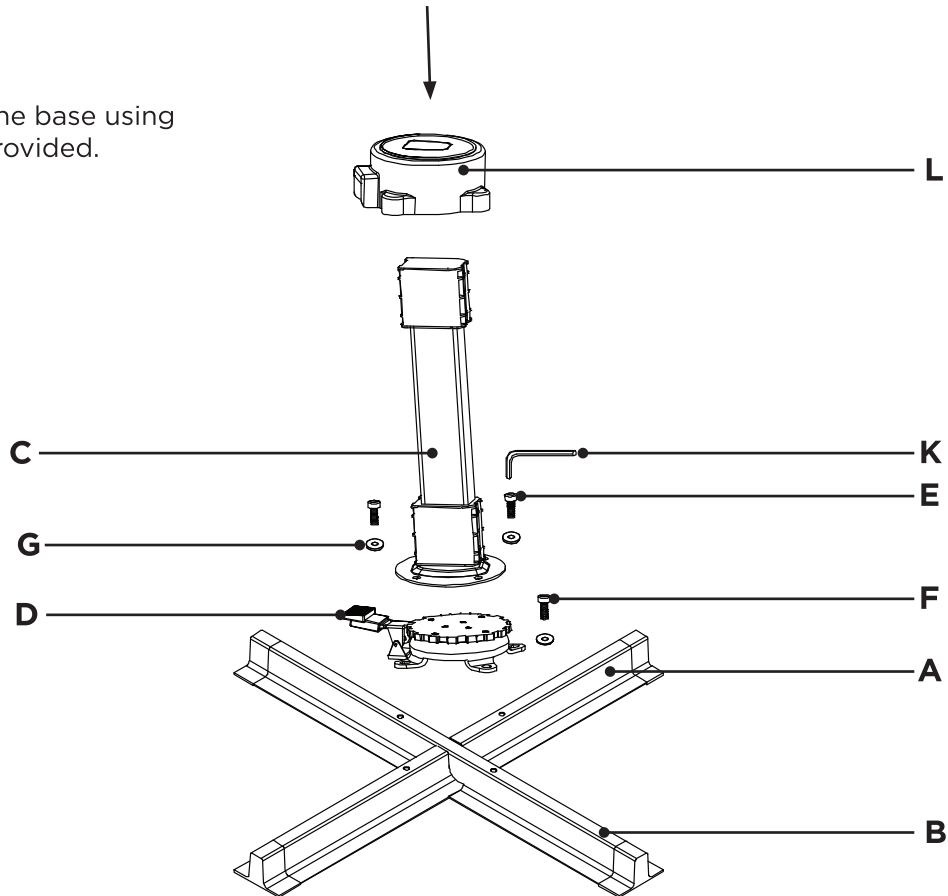


1 x LED Centre Light

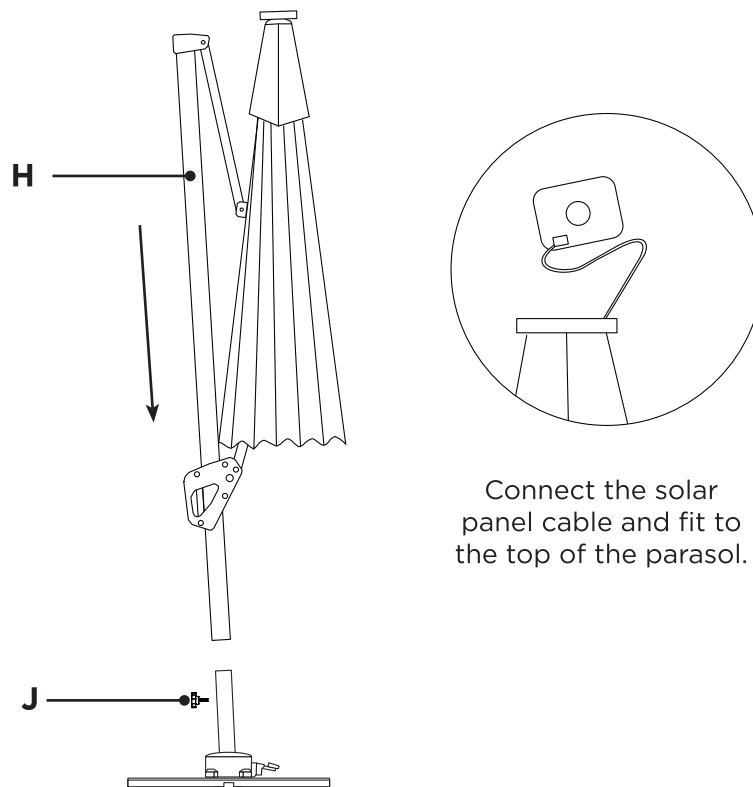
Attention : Close the parasol when not in use.

Assembly & Operation

- 1** Assemble the base using Allen key provided.



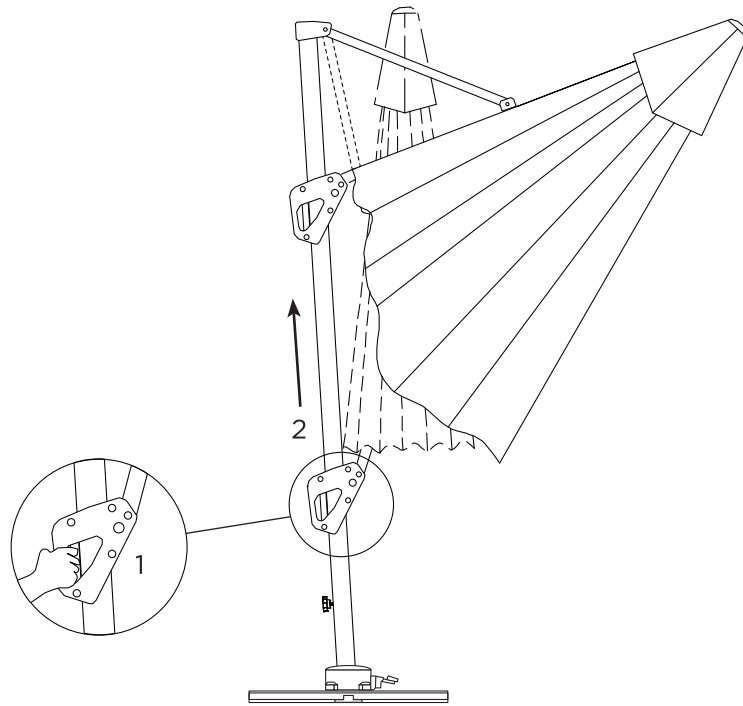
- 2** Insert the parasol into the base and secure with the hand wheel.



Assembly & Operation

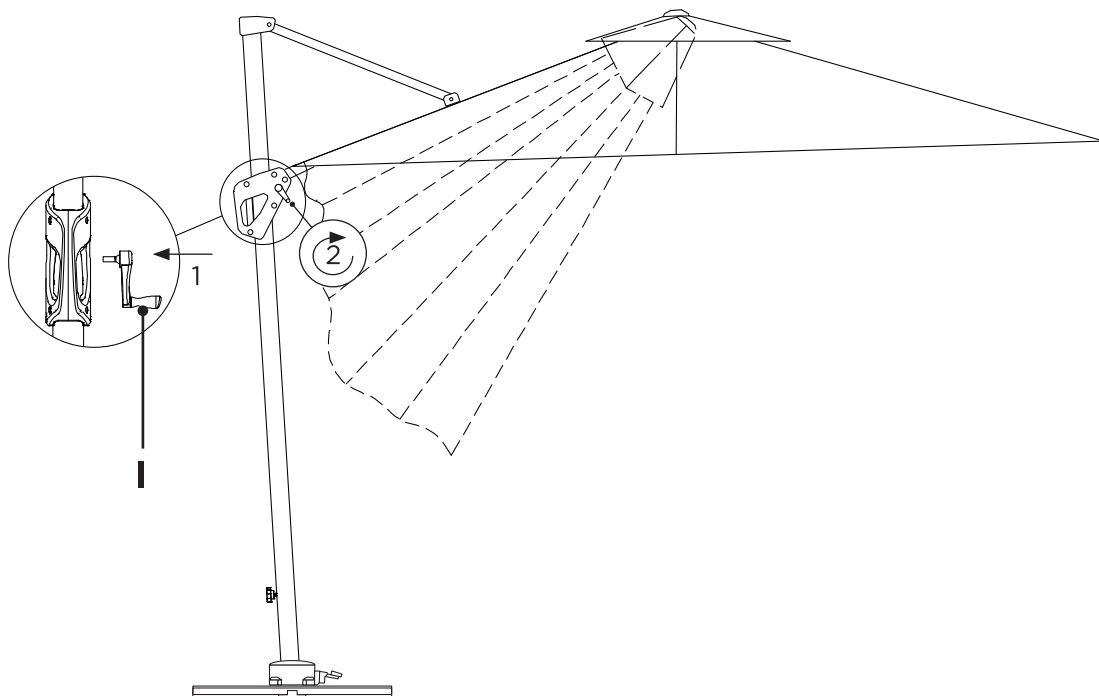
3

Squeeze the handle and lift to raise the parasol.
Release the handle to lock when you reach the stop.



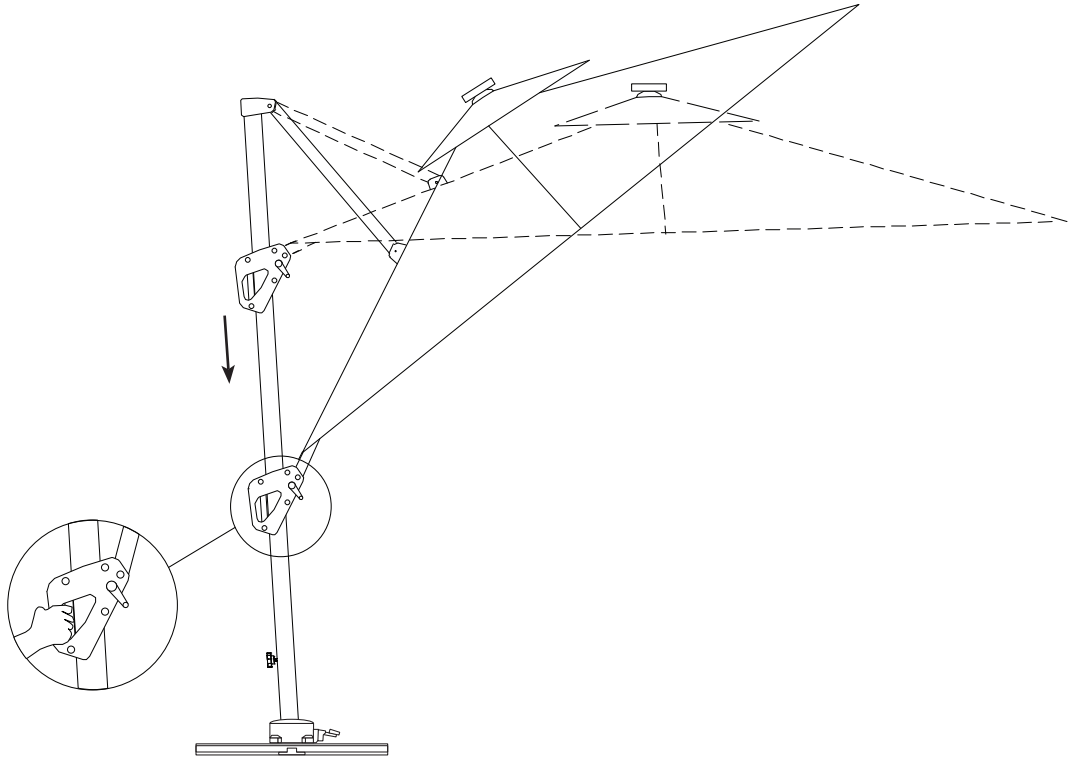
4

Insert the winder and rotate clockwise to open the parasol.

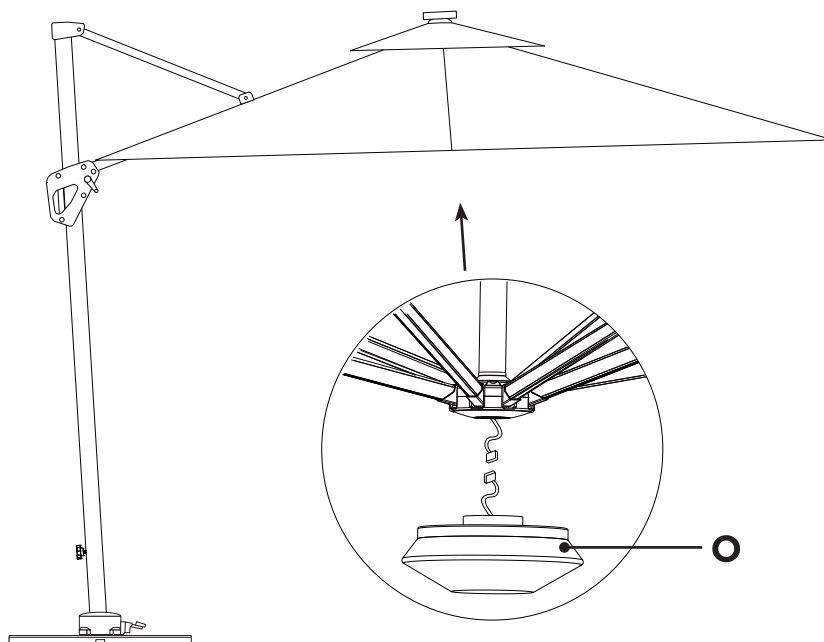


Assembly & Operation

- 5** To adjust the angle of the parasol, squeeze the handle then slide it to the hole position that gives the parasol the desired angle. Release the handle to lock.

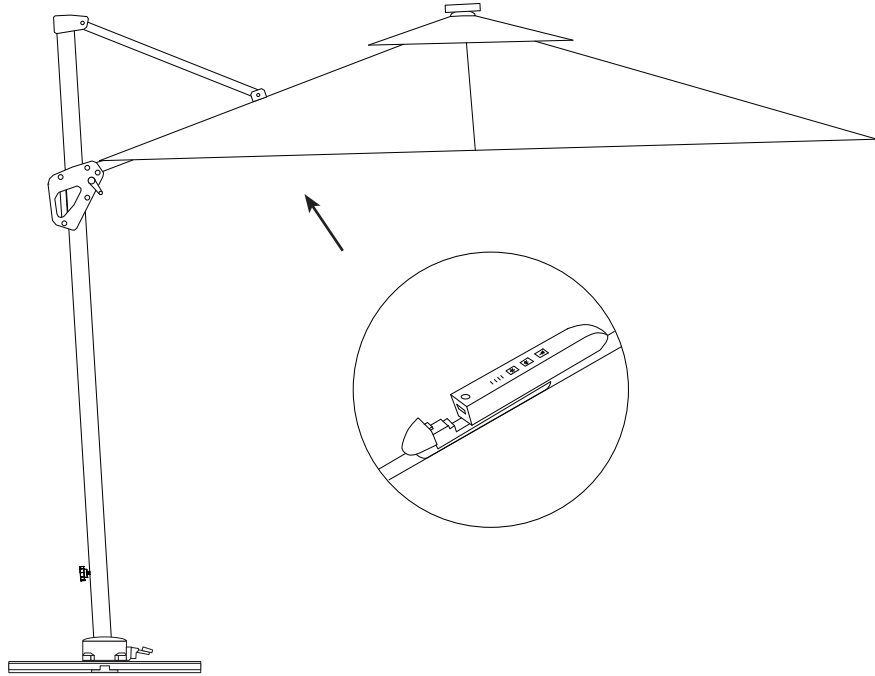


- 6** To install the central LED light connect the cable between the light and the central bezel of the parasol. Then twist the light into place on the central bezel.

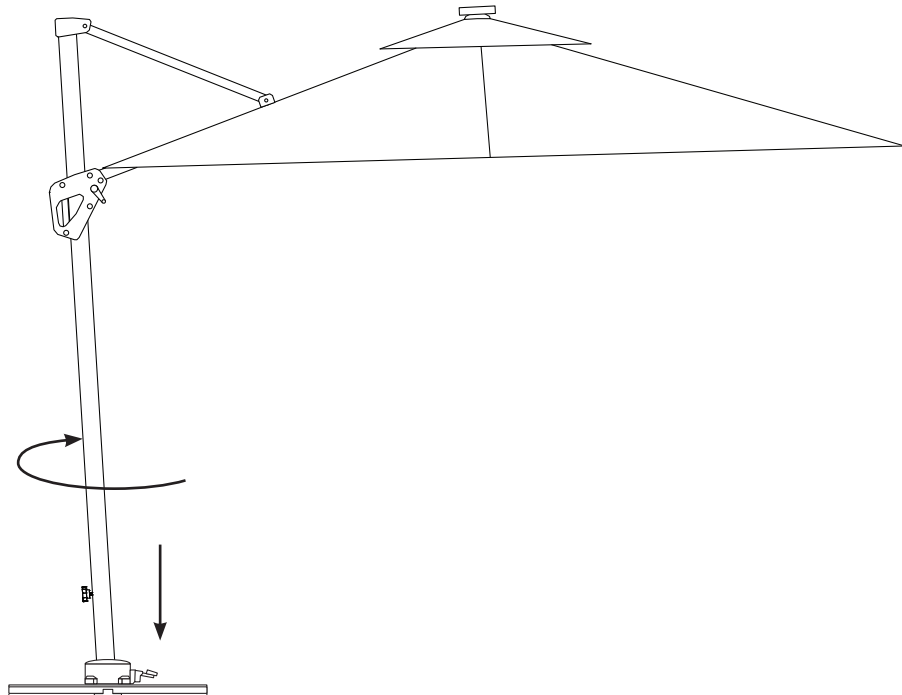


Assembly & Operation

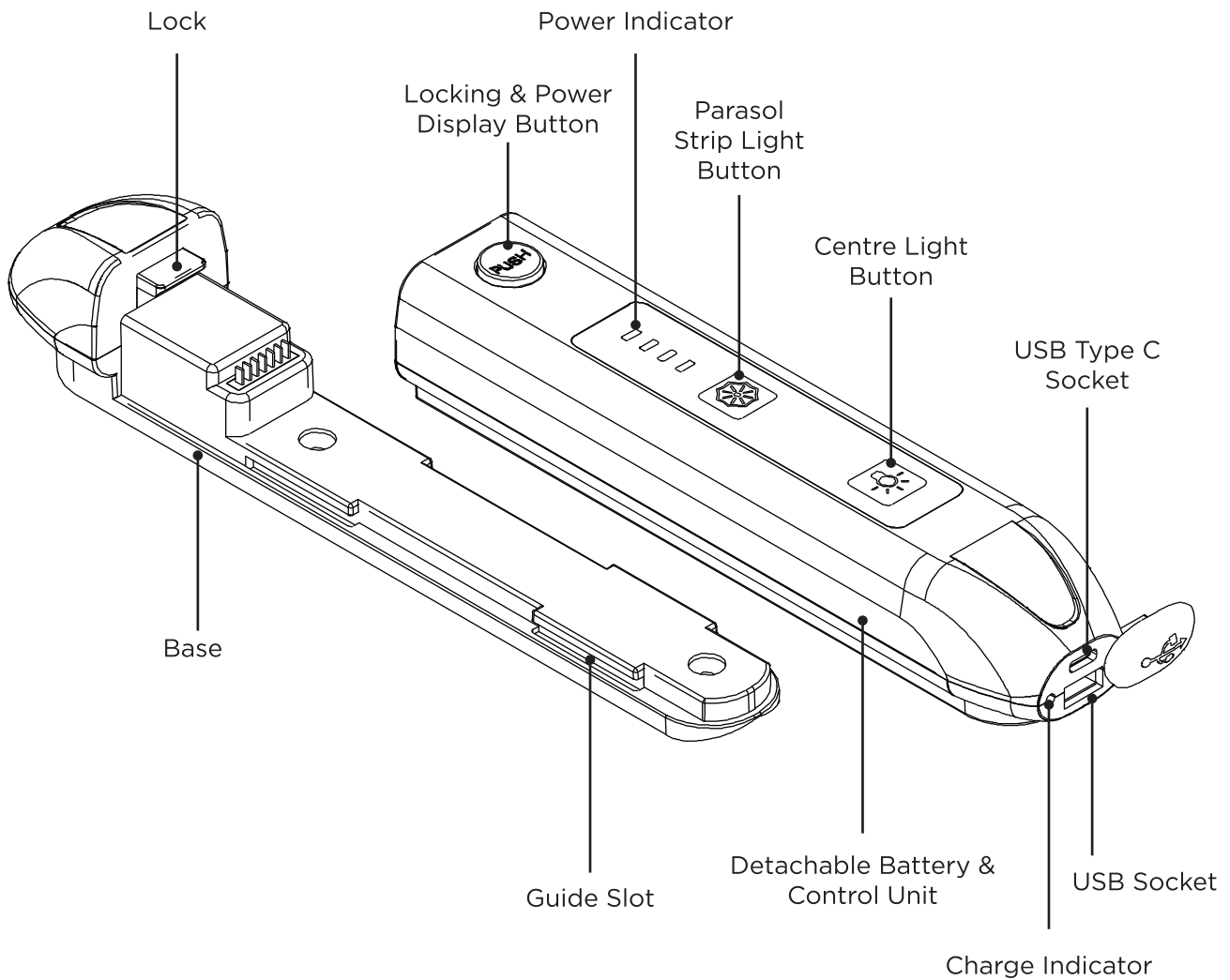
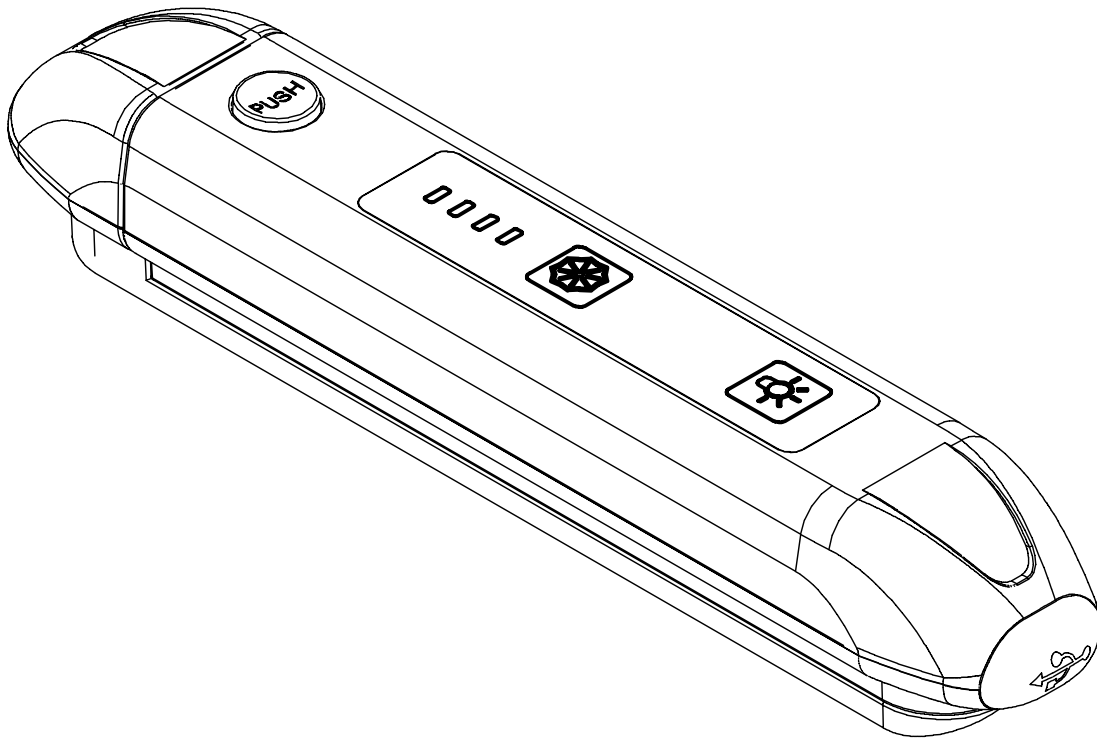
- 7** The LED control unit fits to its base that is located on the tube inside the parasol. Slide the LED control unit onto and along the base until the control unit reaches the end the of the base and locks in place.



- 8** To rotate push down on the foot pedal then turn the parasol from the upright.



LED Light Controller





LED Light Controller


To complete the installation slide the control unit onto and along the base until the control unit reaches the end of the base and locks in place.

The control unit can be removed for charging. When disassembling, press the locking and power display button and slide the control unit away from the base.

Parasol Lights : Press the  button to switch on.

To switch off press the  button again.

Parasol Centre Light : Press the  button to switch on.

To switch off press the  button again.

Power Level : Press and hold the  button to show the current power level switch on.

To switch off the power display press the  button again.

The battery can be charged via the USB or USB Type - C port.
The indicator light is red whilst charging and green when full.



www.hexliving.co.uk
hello@hexliving.co.uk
+44(0)1889272056