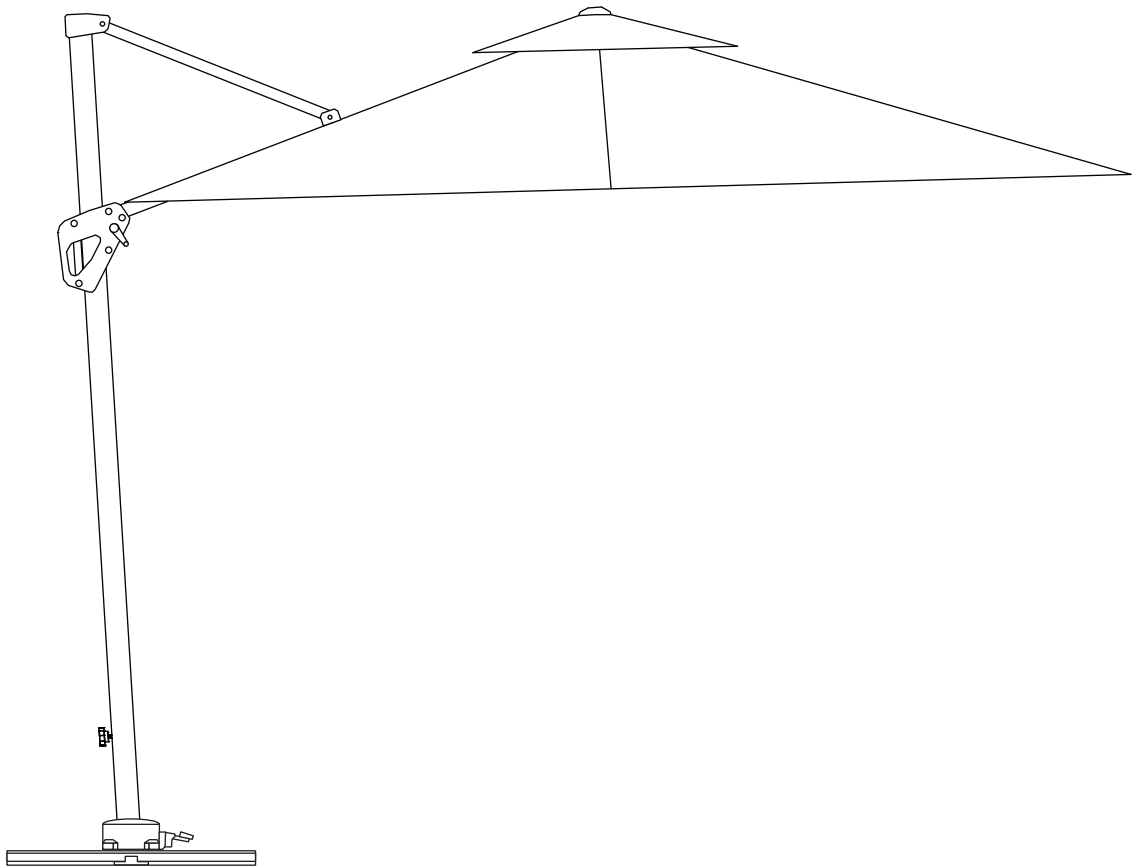




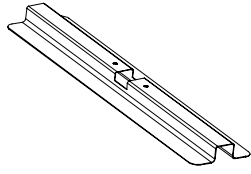
## 3 Metre x 3 Metre Parasol



USER INSTRUCTIONS

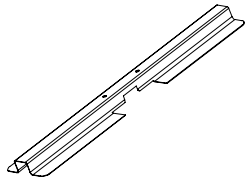
# Contents

**A**



1 x Base cross member lower

**B**



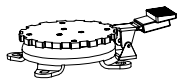
1 x Base cross member upper

**C**



1x Main Stem

**D**



1 x Turntable

**E**



4 x M8 x 14mm Bolt

**F**



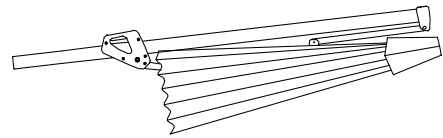
4 x M8 x 20mm Bolt

**G**



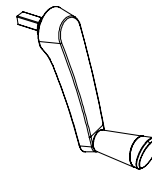
8 x M8 Washer

**H**



1 x Parasol

**I**



1 x Winder

**J**



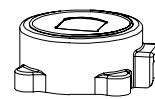
1 x Hand Wheel

**K**



1 x Allen Key

**L**



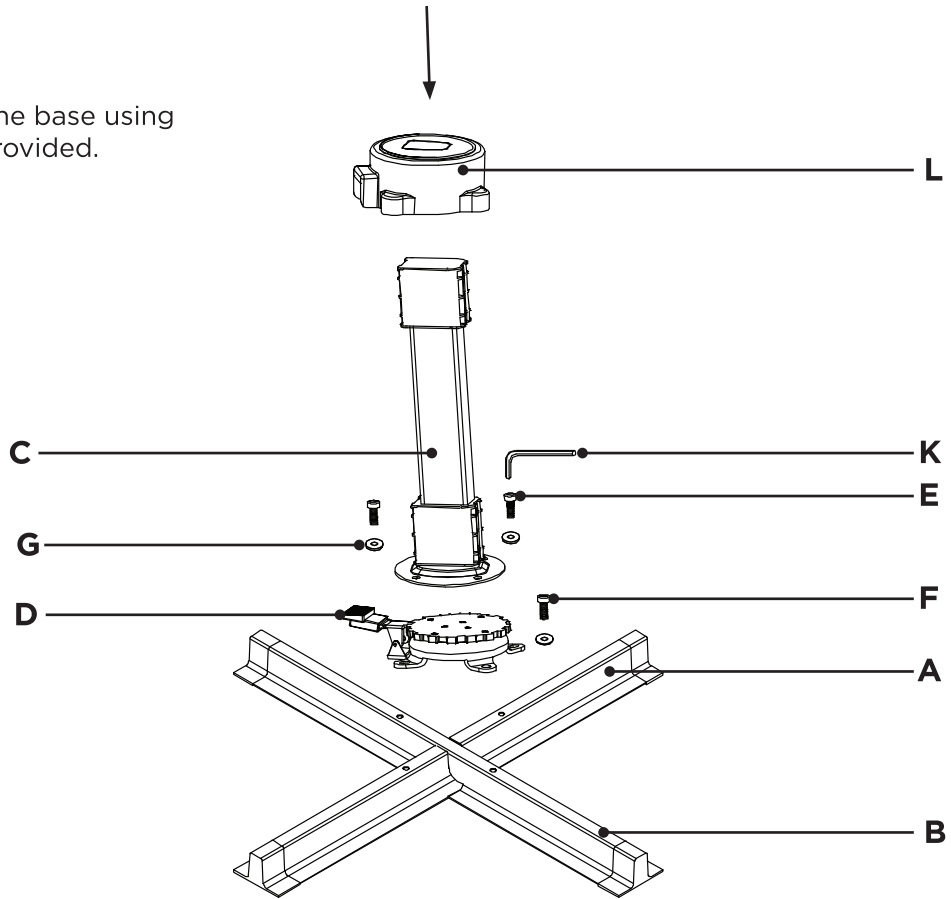
1 x Cover Moulding

Attention : Close the parasol when not in use.

# Assembly & Operation

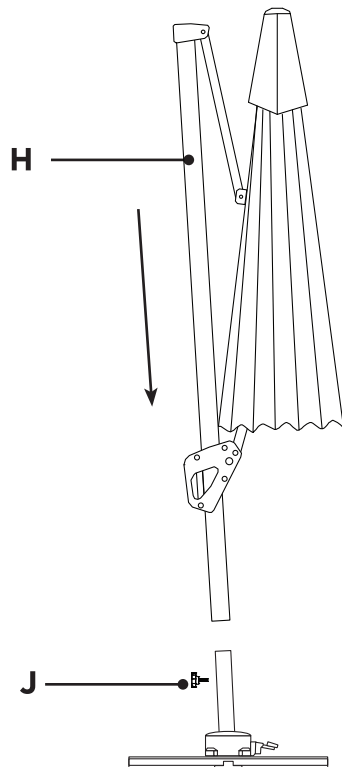
**1**

Assemble the base using Allen key provided.



**2**

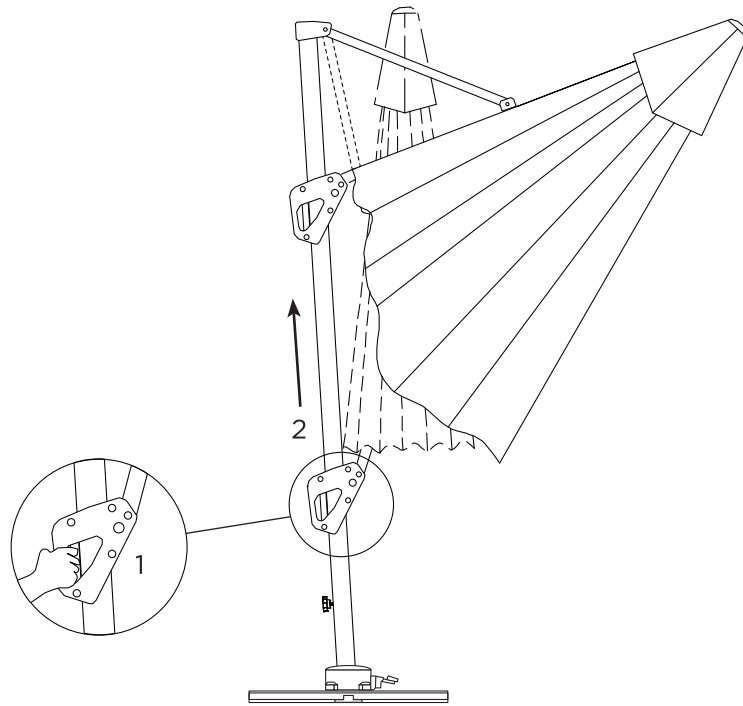
Insert the parasol into the base and secure with hand wheel.



# Assembly & Operation

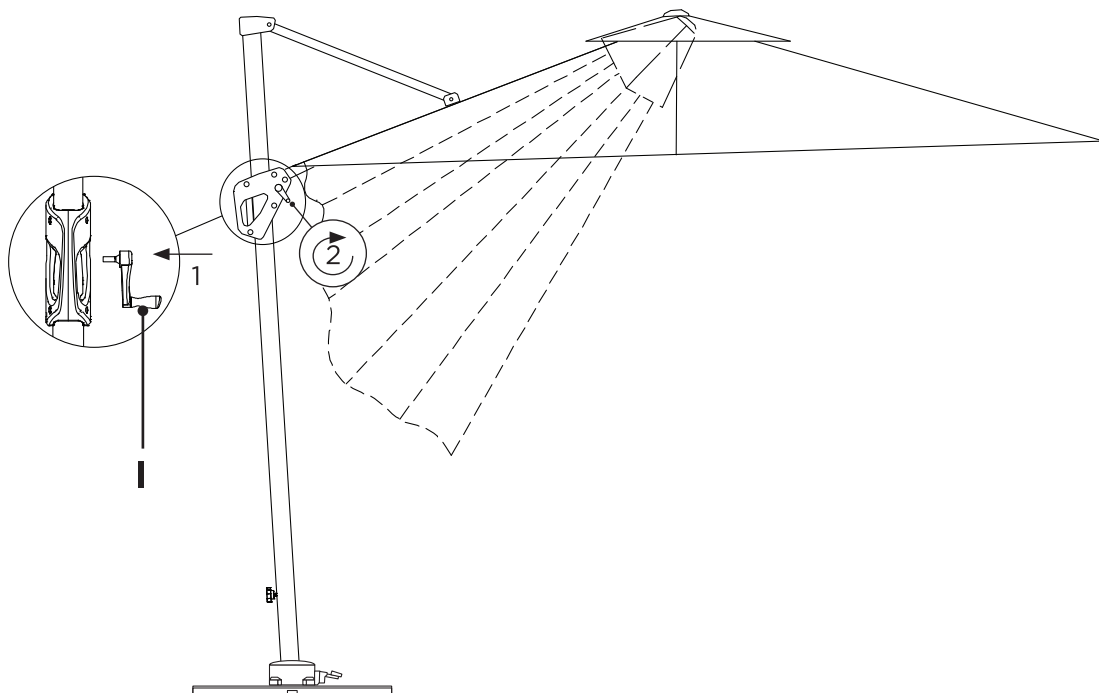
**3**

Squeeze the handle and lift to raise the parasol.  
Release the handle to lock when you reach the stop.



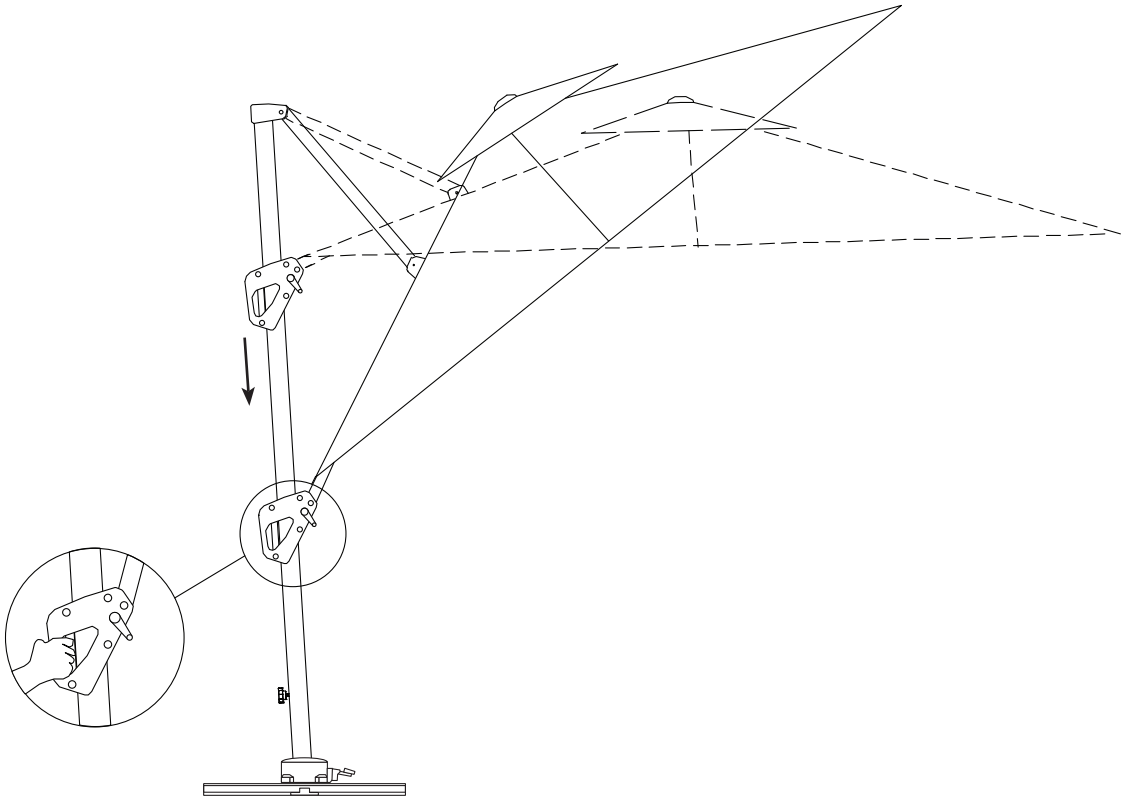
**4**

Insert the winder and rotate clockwise to open the parasol.

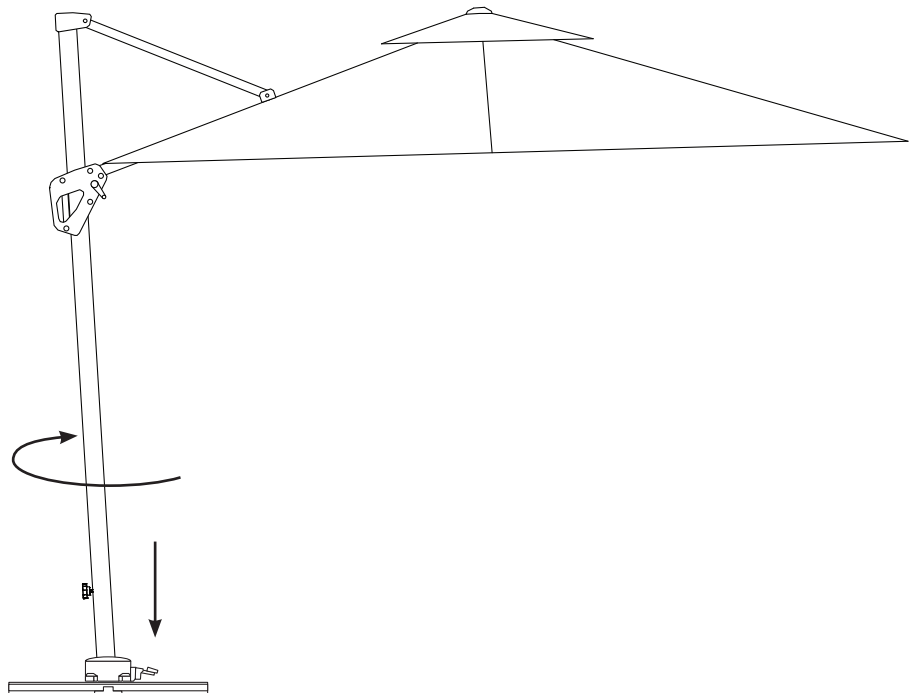


# Assembly & Operation

- 5** To adjust the angle of the parasol, squeeze the handle then slide it to the hole position that gives the parasol the desired angle. Release the handle to lock.



- 6** To rotate, push down on the foot pedal then turn the parasol from the upright.





[www.hexliving.co.uk](http://www.hexliving.co.uk)  
[hello@hexliving.co.uk](mailto:hello@hexliving.co.uk)  
+44(0)1889272056